

**Quality of Workmanship  
Innovative Design  
Built to Last!**



## STR-180 TURF ROLLER



---

### MANUFACTURER OF OUTDOOR POWER EQUIPMENT

Products for Turf & Lawncare, Rental, Construction, Tree Care, Wood Processing, Nursery & Farm Industries

**3-1/2" - 18" Capacity, Gas, Diesel, & PTO Wood/Brush Chippers - Slab Chippers  
Gas, Electric & Tow Behind Rollers - Tranz-Former Roller - CRV Core Recovery Vehicle  
Mini-Paver - Mini-Track Paver - Cobra Curbers - Scorpion Router - Concrete Paver  
Chipper Shredder Vacuums - Tailgate & Truckloader Vacuums  
9 cu. yds. - 50 cu. yds. Per Hour, Electric, PTO & Diesel Powered Shaving Mills**



105 Schoolhouse Road  
Cheshire, CT 06410 U.S.A.  
800-872-5726 (Toll Free), 203-271-1682, 203-271-2596 (Fax)  
[www.salsco.com](http://www.salsco.com), [sales@salsco.com](mailto:sales@salsco.com)

**TABLE OF CONTENTS**

**MODEL STR-180 TURF ROLLER, 0009135**

COVER & TABLE OF CONTENTS.....Pages 1 – 2

STATEMENT OF FACT ..... Page 3

SPECIFICATIONS & OPTIONS.....Page 4

OPERATING INSTRUCTIONS.....Page 5

PARTS DIAGRAMS .....Pages 6 – 15

    Rotary Brush Cross Contamination System.....Page 7

    Power Pack Mounting.....Page 14

    Spike-Air Kit.....Page 15

TORQUE CHART .....Page 16

SERVICE SCHEDULE LOG .....Page 17

**SALSCO, INC.**

105 Schoolhouse Road  
Cheshire, CT 06410 USA  
800-872-5726, 203-271-1682  
203-271-2596 (Fax)  
[www.salsco.com](http://www.salsco.com), [sales@salsco.com](mailto:sales@salsco.com)

## STR-180 - SPECIFICATIONS & FEATURES

<b>TRACTOR CONTROL:</b>	<u>Hoses:</u> Two (2) Quick disconnect hoses to connect to the tractor hydraulic implement. <u>Flow Control Valve:</u> Operator adjustable to maintain a steady flow of oil to the cylinders. <u>Cylinders:</u> Two (2) outer housing lift cylinders, 1.5" bore x 16" stroke; One (1) middle housing lift cylinder, 1.5" bore x 12" stroke; One (1) drop axle cylinder 1.5" bore x 12" stroke. <u>Handheld Transmitter:</u> Operator presses a button which will send a signal to the control valve to raise/lower rolls.
<b>ROLLS:</b>	Five (5) pivoting and floating steel rolls, 10-3/4" diameter x 40" long. Can be filled with up to 100 lbs. of water. Machined to within two thousandths of an inch concentricity. Extra-long beveled edges. Polyester powder coated black paint.
<b>BEARINGS:</b>	Taper lock 2-bolt flange bearings, greaseable.
<b>GROUND PRESSURE:</b>	Without Water: Approximately 6.6 P.S.I. With Water: Approximately 8.3 P.S.I.
<b>FRAME:</b>	3" x 3" x 1/4" wall tubular steel, 1/4" gussets, continuous weld.
<b>ROLL HOUSINGS:</b>	45" long, 7 gauge steel wraps with 3/8" thick end plates.
<b>AXLES:</b>	Two (2) steel, spindle type axles.
<b>TIRES &amp; WHEELS:</b>	Four (4) tire & wheel assemblies. 18.5 x 8.5-8, load range C, 6 ply.
<b>TONGUE:</b>	2" x 3" x 1/4" tubular steel.
<b>HITCH:</b>	3-position, 4-bolt channel hitch specially designed, hydraulically operated, which allows the STR-180 to float independently of the tow vehicle.
<b>COUPLER:</b>	2" pin, steel farm type coupler, 10,000 lb. capacity.
<b>TONGUE JACK:</b>	2,000 lb. side-wind jack.
<b>PAINT:</b>	Orange, polyester powder coat paint provides excellent outdoor weatherability and offers protection against ultraviolet discoloration. All parts painted separately.
<b>OPTIONS:</b>	<b><u>Self-Contained Power Pack:</u></b> Includes 13HP Honda Engine, Hydraulic Pump, Hydraulic Filter, Hoses and Hydraulic Tank with Mounting Brackets. <b><u>Heavy Duty Cross Contamination Brush System:</u></b> Includes Rotary Brushes, Guards and Greaseable Bearings. <b><u>Spike-Air Kit:</u></b> Each roll includes Heavy Duty Spiker Frame, Rubber Enclosed Shaft, 39 Heat Treated Spiker Discs on 1" Centers and Rubber Washer Between Blades. LED Light Kit. Two Lights Mounted on Either Side with On/Off Switch.
<b>DIMENSIONS:</b>	Transport: Length: 9'5" Width: 8' Height: 7'8" Weight (without water): Approximately 2,080 lbs. Rolling: Length: 9'5" Width: 15' Weight (without water): Approximately 2,080 lbs

Specifications & Options Subject to Change Without Notice

REV. 2/28/2021

## MACHINE REGISTRATION

MANUFACTURED BY:

SALSCO, INC.  
105 Schoolhouse Rd., Cheshire, CT 06410  
800-872-5726, 203-271-1682, 203-271-2596 (Fax)  
[sales@salsco.com](mailto:sales@salsco.com) [www.salsco.com](http://www.salsco.com)

THIS MANUAL COVERS MODEL(s): STR-180, Tow Behind Turf Roller

This company reserves the right to discontinue, add improvements to, or change the design of any model or product at any time without obligation to improve existing machines, either by changing the design or adding new parts.

It has been and will continue to be the policy of SALSCO to update existing machines at its own discretion. Whenever possible, new designs will be made in such a way that they can be "Retro Fit" if so desired.

Record in the space provided below the model and serial number of this unit. Please retain these numbers for future reference.

**NO PARTS ORDERS** will be accepted **WITHOUT A SERIAL NUMBER, MODEL NUMBER AND PART NUMBERS**. All part numbers are listed in this manual.

\_\_\_\_\_

Serial Number

\_\_\_\_\_

Model Number

**READ AND UNDERSTAND THIS MANUAL BEFORE STARTING THE MACHINE**

Salsco STR-180 Tow Behind Roller is a tow behind, 15' wide radio-controlled roller. Options include Cross Contamination Rotary Brushes and Spiker Blades both of which are mounted to each roll. The STR-180 can also be purchased with an optional Power Pack. This option allows the STR-180 to be self-contained and needs only to be towed by a tow vehicle. As with all Salsco rollers, each roll floats independently of the total unit, allowing for 100% contact to any surface.

### OPERATING INSTRUCTIONS

#### 1) Base Machine Without Power Pack

- a. Back tractor to the machine and connect the tow bar.
- b. Connect the hydraulic hoses to the tractor.
- c. Connect the positive and negative clips to the tractor for lights and power to the radio control
- d. Stand clear of the STR-180.
- e. Press the wheels down button on the controller.
- f. The hitch should be adjusted so the STR-180 is level and the rolls clear the ground.
- g. Press the button to lower the rolls on the controller. Be SURE the wings are fully lowered.
- h. Raise the wheels so that the rolls are on the ground.
- i. Note, with the wheels in the raised position and the rolls al in the down position, the hitch lock arm is retracted. This allows the STR-180 to be towed and float over the undulations.

#### 2) STR-180 With the Power Pack Option

- a. Check the hydraulic oil level.
- b. Check fuel and oil levels in the Honda engine.
- c. Connect to the tow unit.
- d. Repeat steps c. – i. as listed above.

#### 3) STR-180 With Spiker Kit Option

- 4) With the wheels down and the rolls down, hold the handle for the raise/lower section of the spiker. Lower the spikers on all five rolls and lock the handle in the lower position. Each roll housing has its own raise-lower handle. When spiking the spikes will be lowered once on each roll housing. When the roll housing is raised or lowered for transport the spiker will raise or lower with the roll housing.
  - a. Raise the wheels and begin to roll.
  - b. **NOTE:** SHARPLEY TURNING WHILE THE UNIT IS ENGAGED WILL CAUSE DAMAGE TO UNIT AND OR TURF. TO PREVENT DAMAGE TO THE SPIKER UNIT, ROLLER, AND TURF; TURNS SHOULD BE LIMITED TO LARGE RADIUS GRADUAL TURNS. **(NO SHARP TURNS)**

#### 5) STR-180 With Rotary Brush Cross Contamination System

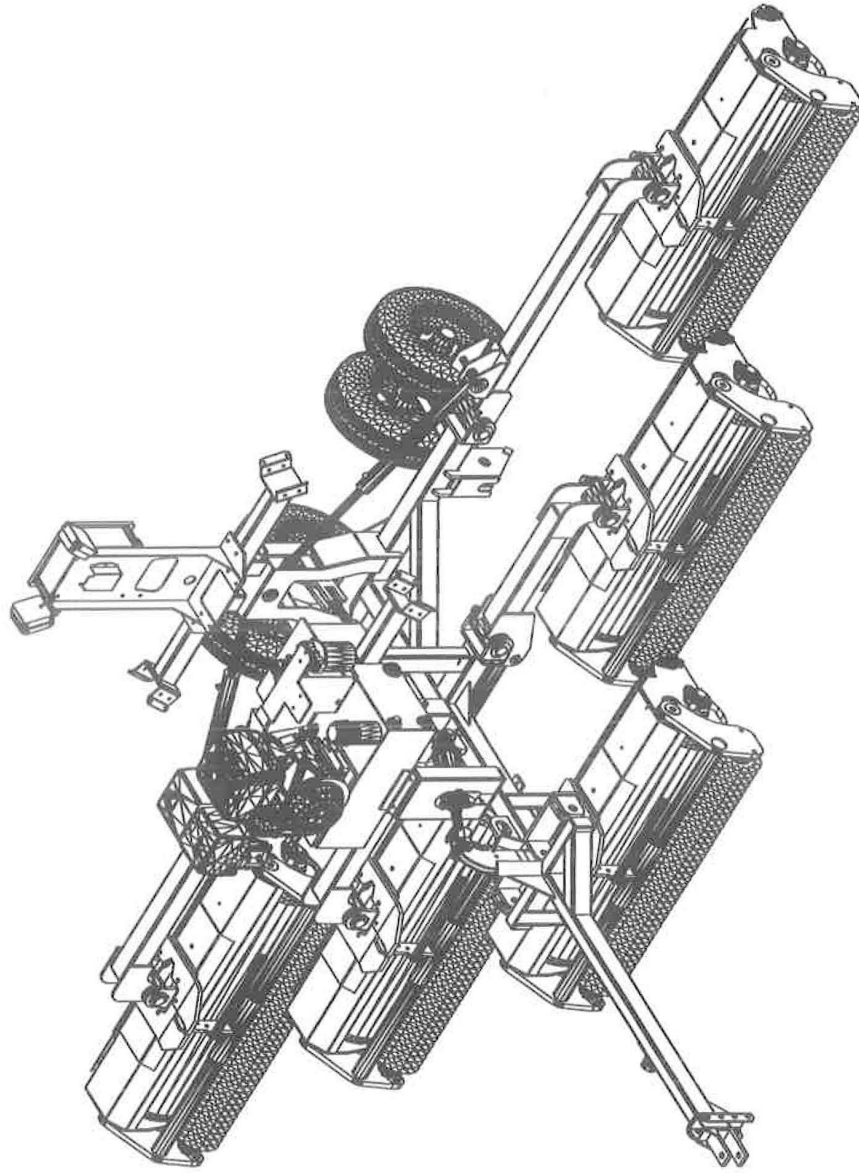
The brushes are designed to be adjusted so they are 1/8" away from the roll. When doing heavy top dressing be sure to clean the brushes as needed.

#### 6) General Maintenance

Grease all fittings once a week and clean the machine after each use. As with all machines look the unit over for lose bolts and hose connections.

REV	DESCRIPTION	DATE

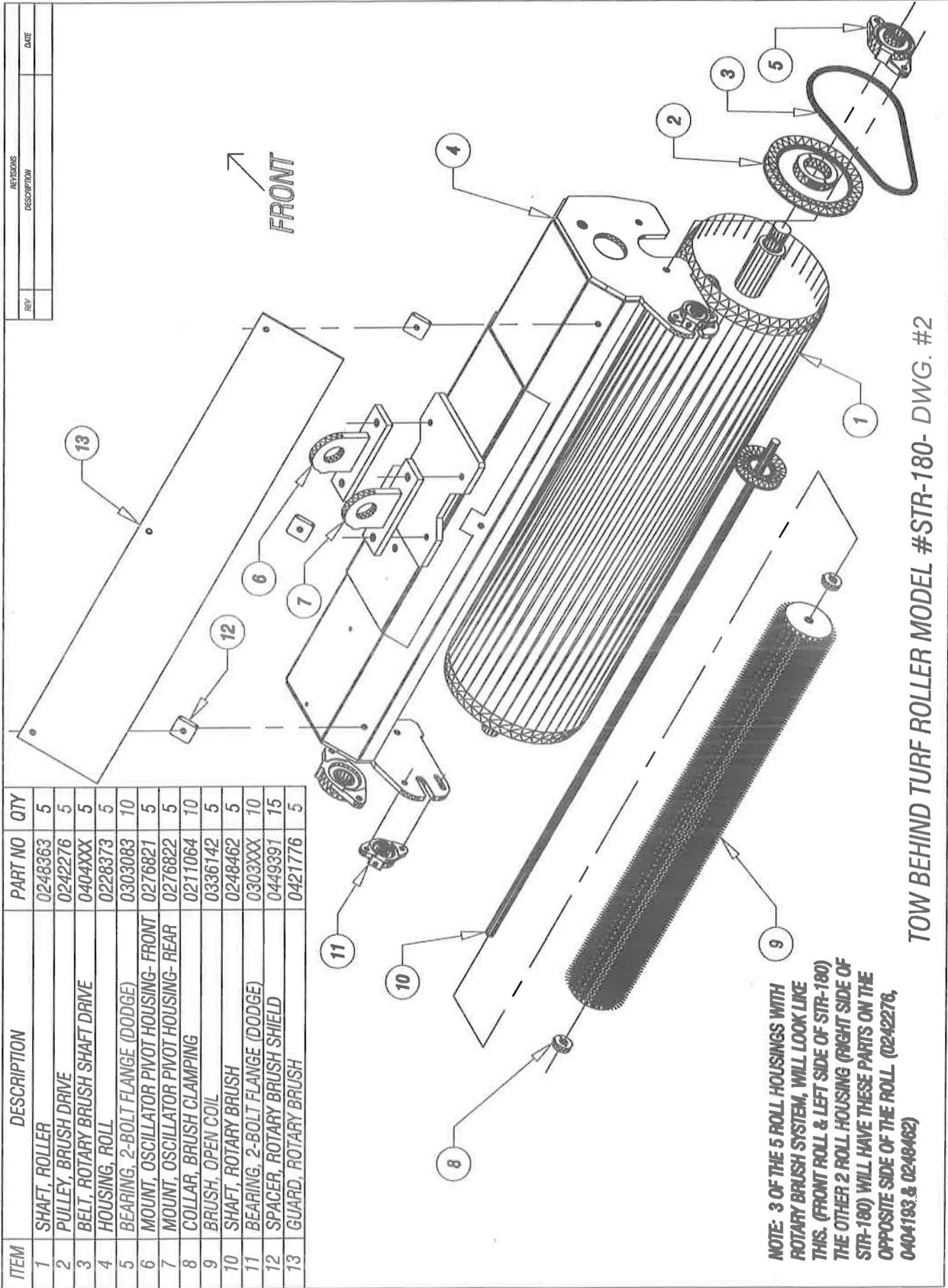
ITEM	DESCRIPTION	PART No
1	TOW BEHIND TURF ROLLER	0009135



TOW BEHIND TURF ROLLER MODEL #STR-180- DWG # 1  
 ISSUED: MARCH 2021

REV	DESCRIPTION	DATE

ITEM	DESCRIPTION	PART NO	QTY
1	SHAFT, ROLLER	0248363	5
2	PULLEY, BRUSH DRIVE	0242276	5
3	BELT, ROTARY BRUSH SHAFT DRIVE	0404XXX	5
4	HOUSING, ROLL	0228373	5
5	BEARING, 2-BOLT FLANGE (DODGE)	0303083	10
6	MOUNT, OSCILLATOR PIVOT HOUSING- FRONT	0276821	5
7	MOUNT, OSCILLATOR PIVOT HOUSING- REAR	0276822	5
8	COLLAR, BRUSH CLAMPING	0211064	10
9	BRUSH, OPEN COIL	0336142	5
10	SHAFT, ROTARY BRUSH	0248462	5
11	BEARING, 2-BOLT FLANGE (DODGE)	0303XXX	10
12	SPACER, ROTARY BRUSH SHIELD	0449391	15
13	GUARD, ROTARY BRUSH	0421776	5

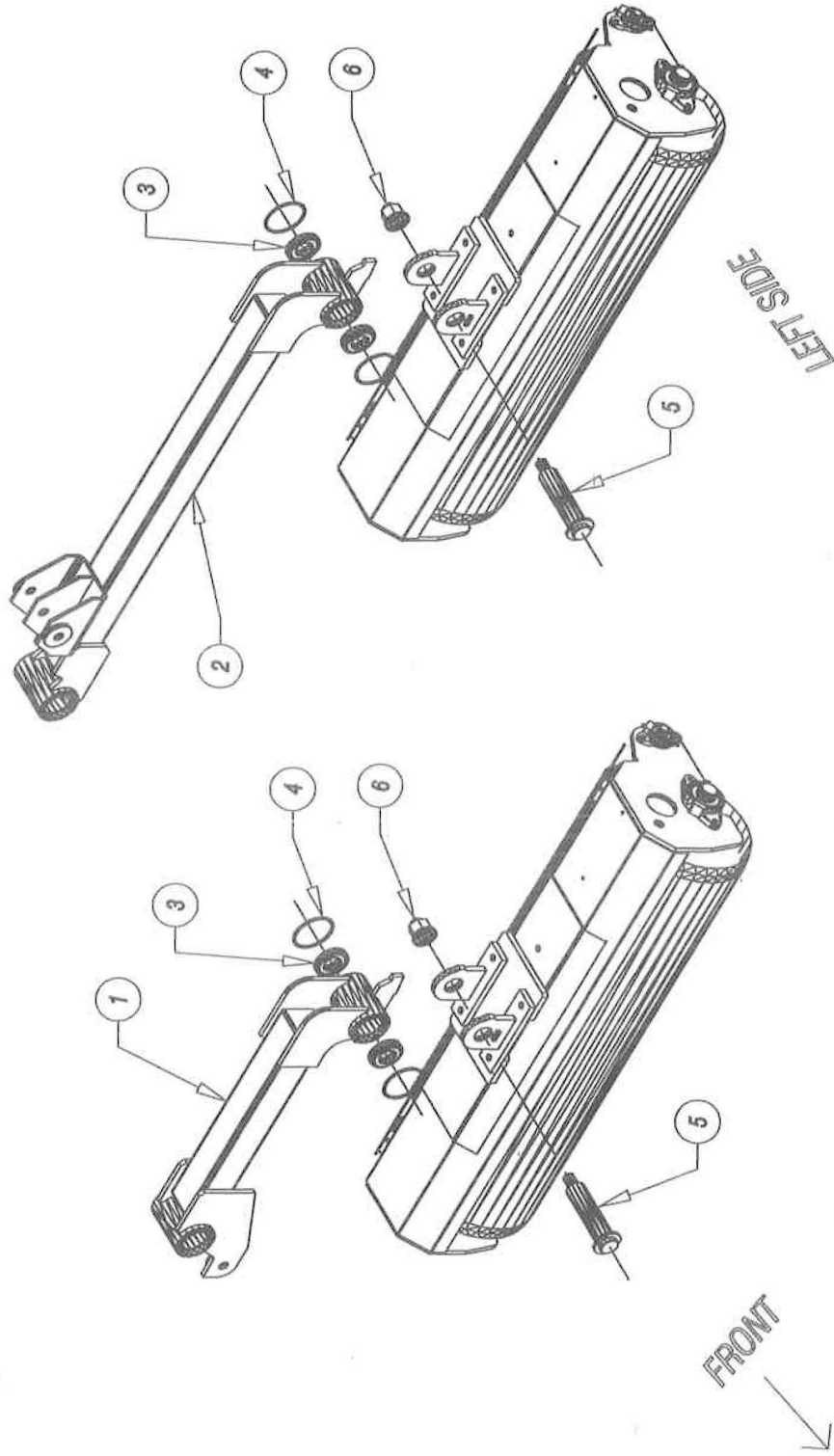


NOTE: 3 OF THE 5 ROLL HOUSINGS WITH ROTARY BRUSH SYSTEM, WILL LOOK LIKE THIS. (FRONT ROLL & LEFT SIDE OF STR-180) THE OTHER 2 ROLL HOUSING (RIGHT SIDE OF STR-180) WILL HAVE THESE PARTS ON THE OPPOSITE SIDE OF THE ROLL. (0242276, 0404193 & 0248462)

TOW BEHIND TURF ROLLER MODEL #STR-180- DWG. #2

REV	DESCRIPTION	DATE

ITEM	DESCRIPTION	PART NO	QTY
1	FRAME, ARM ROLL PIVOTING- MIDDLE	0219608	2
2	FRAME, ARM ROLL PIVOTING- REAR	0219609	2
3	BEARING, ROLLER- CONE & CUP SET	0303086-0303090	16
4	O-RING	0343003	16
5	SHAFT, OSCILLATOR PIVOT HOUSING	0248358	4
6	LUG, NUT CAP 33MM	0338405	4

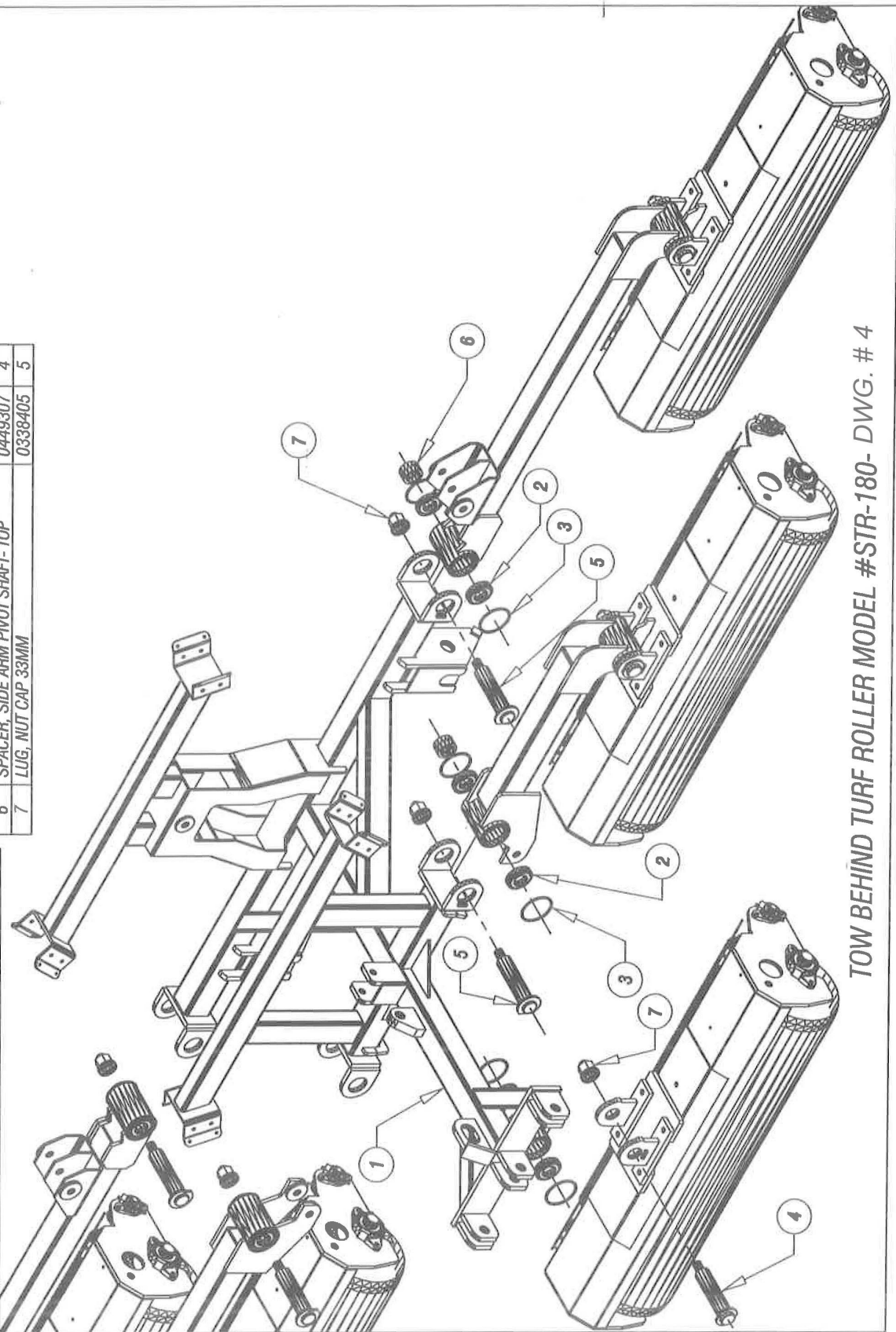


TOW BEHIND TURF ROLLER MODEL #STR-180- DWG. #3

REV	DESCRIPTION	DATE

3	O-RING	0343003	10
4	SHAFT, OSCILLATOR PIVOT HOUSING	0248358	1
5	SHAFT, ARM PIVOTING	0248461	4
6	SPACER, SIDE ARM PIVOT SHAFT- TOP	0449307	4
7	LUG, NUT CAP 33MM	0338405	5

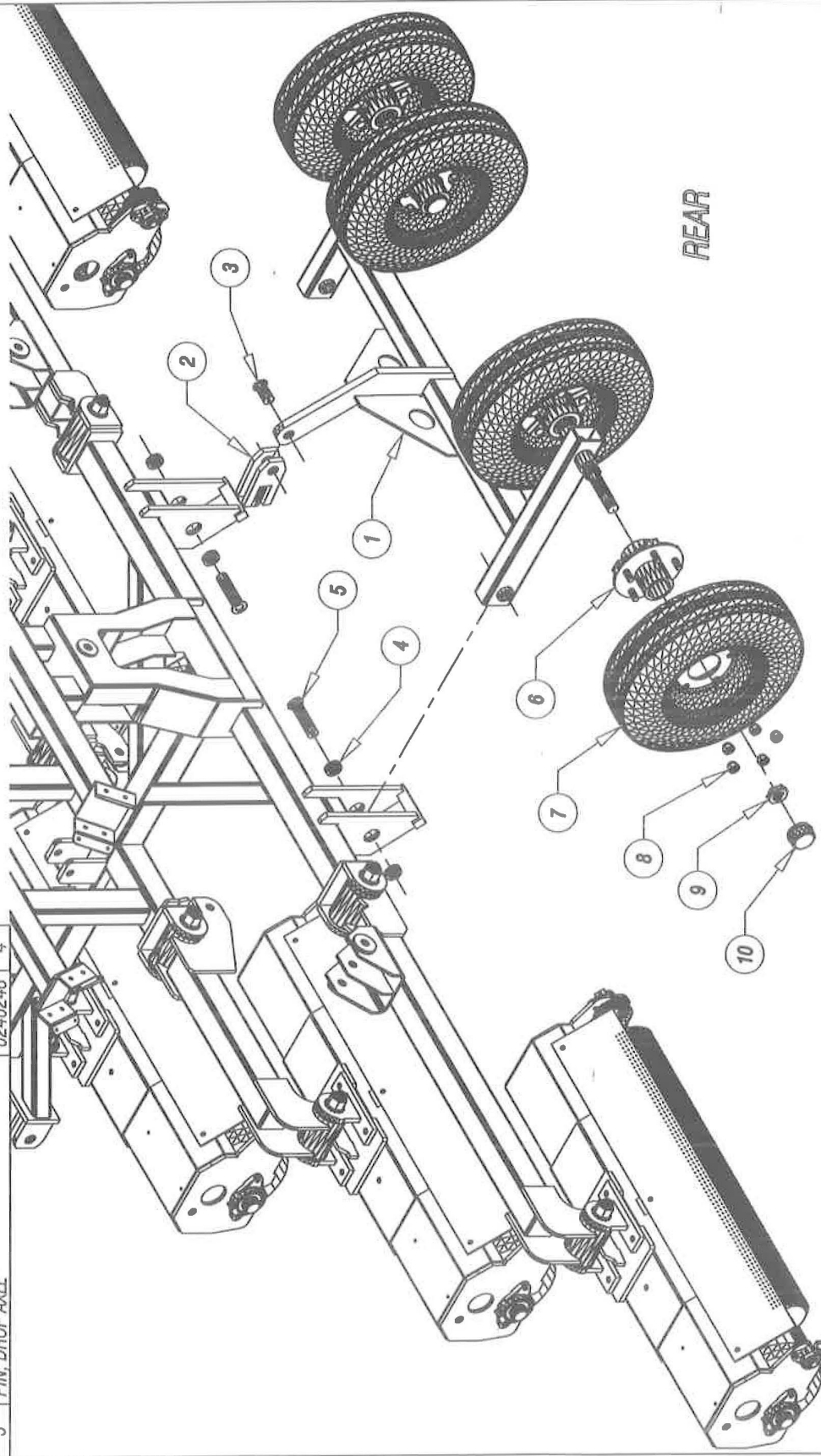
ITEM	DESCRIPTION	PART NO	QTY
1	FRAME, STR-180	0219607	1
2	BEARING, ROLLER- CONE & CUP SET	330298-030399	10



TOW BEHIND TURF ROLLER MODEL #STR-180- DWG. # 4

ITEM	DESCRIPTION	PART NO	QTY	6	HUB	0329XXX	4
1	AXLE, DROP	0202123	1	7	TIRE & WHEELS ASSY.	0354020	4
2	ADAPTER, CYLINDER	0275117	1	8	NUT, WHEEL LUG	0338XXX	20
3	PIN, DROP AXLE CYLINDER	0240249	1	9	SPINDLE NUT & RETAINING CAGE	3303069-0303070	4
4	D.O.M TUBE- 1 1/2" OD X .244 WALL	x 1/2" LG	4	10	CAP	0371XXX	4
5	PIN, DROP AXLE	0240248	4				

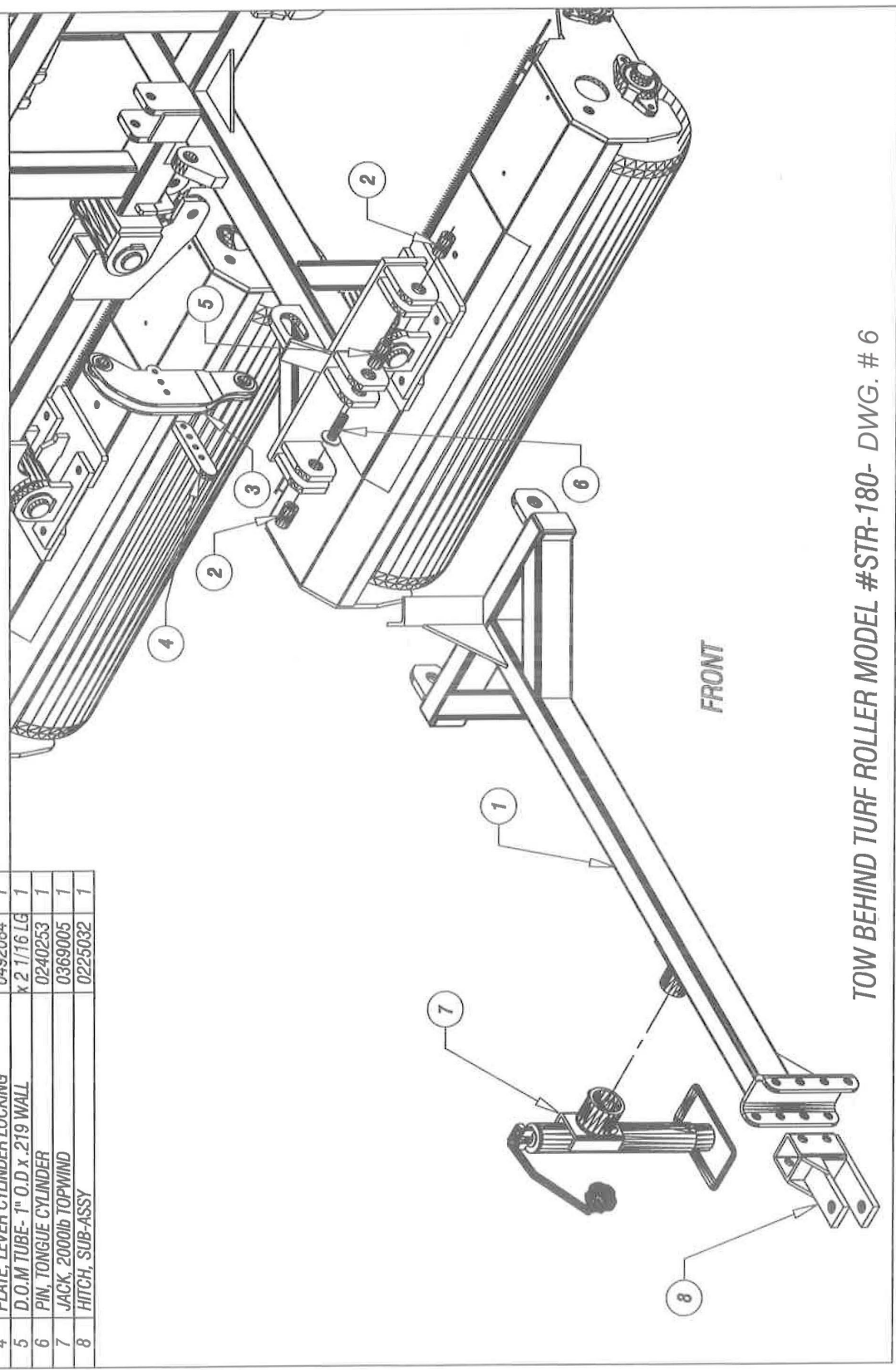
REV	DESCRIPTION	DATE



TOW BEHIND TURF ROLLER MODEL #STR-180- DWG. # 5

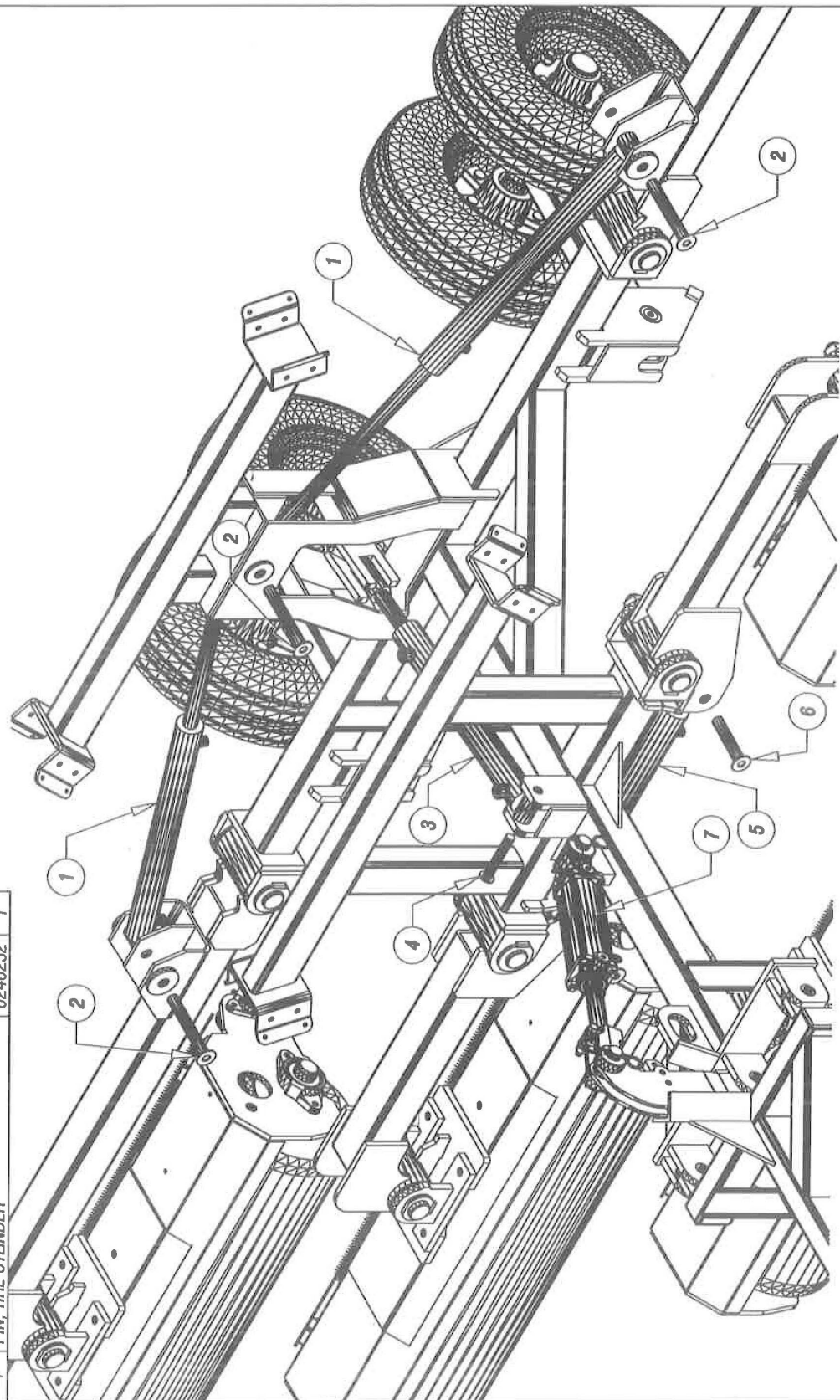
REV	DESCRIPTION	DATE

ITEM	DESCRIPTION	PART NO	QTY
1	TONGUE, STR-180 TOWFRAME	0225099	1
2	D.O.M TUBE- 1" O.D x .219 WALL x 1 5/8" LG	0233355	2
3	LEVER, CYLINDER	0492084	1
4	PLATE, LEVER CYLINDER LOCKING	x 2 1/16 LG	1
5	D.O.M TUBE- 1" O.D x .219 WALL	0240253	1
6	PIN, TONGUE CYLINDER	0369005	1
7	JACK, 2000lb TOPWIND	0225032	1
8	HITCH, SUB-ASSY		1



TOW BEHIND TURF ROLLER MODEL #STR-180- DWG. # 6

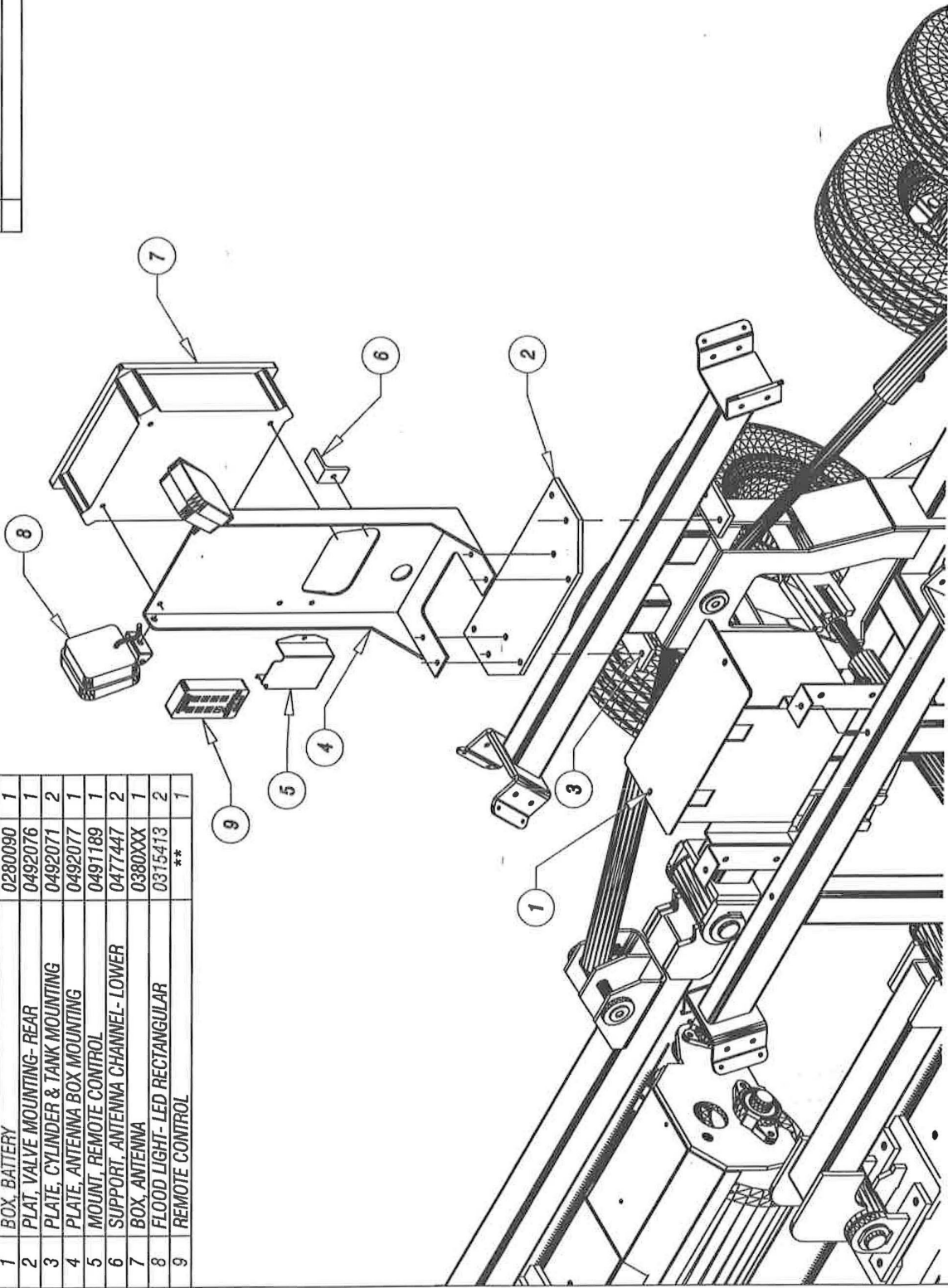
ITEM	DESCRIPTION	PART NO	QTY	REV	DESCRIPTION	REV	DATE
1	HYDRAULIC CYLINDER- CHIEF- 288-602	0330xxx	2		0330xxx	1	
2	PIN, CYLINDER ARM- OUTER ARM	0240250	3		0240251	2	
3	HYDRAULIC CYLINDER- CHIEF- 287-204	0330220	1		0330xxx	1	
4	PIN, TIRE CYLINDER	0240252	1				
5	HYDRAULIC CYLINDER- CHIEF- 288-600	0330xxx	1				
6	PIN, CYLINDER ARM- MIDDLE	0240251	2				
7	HYDRAULIC CYLINDER- CHIEF- 211-301	0330xxx	1				



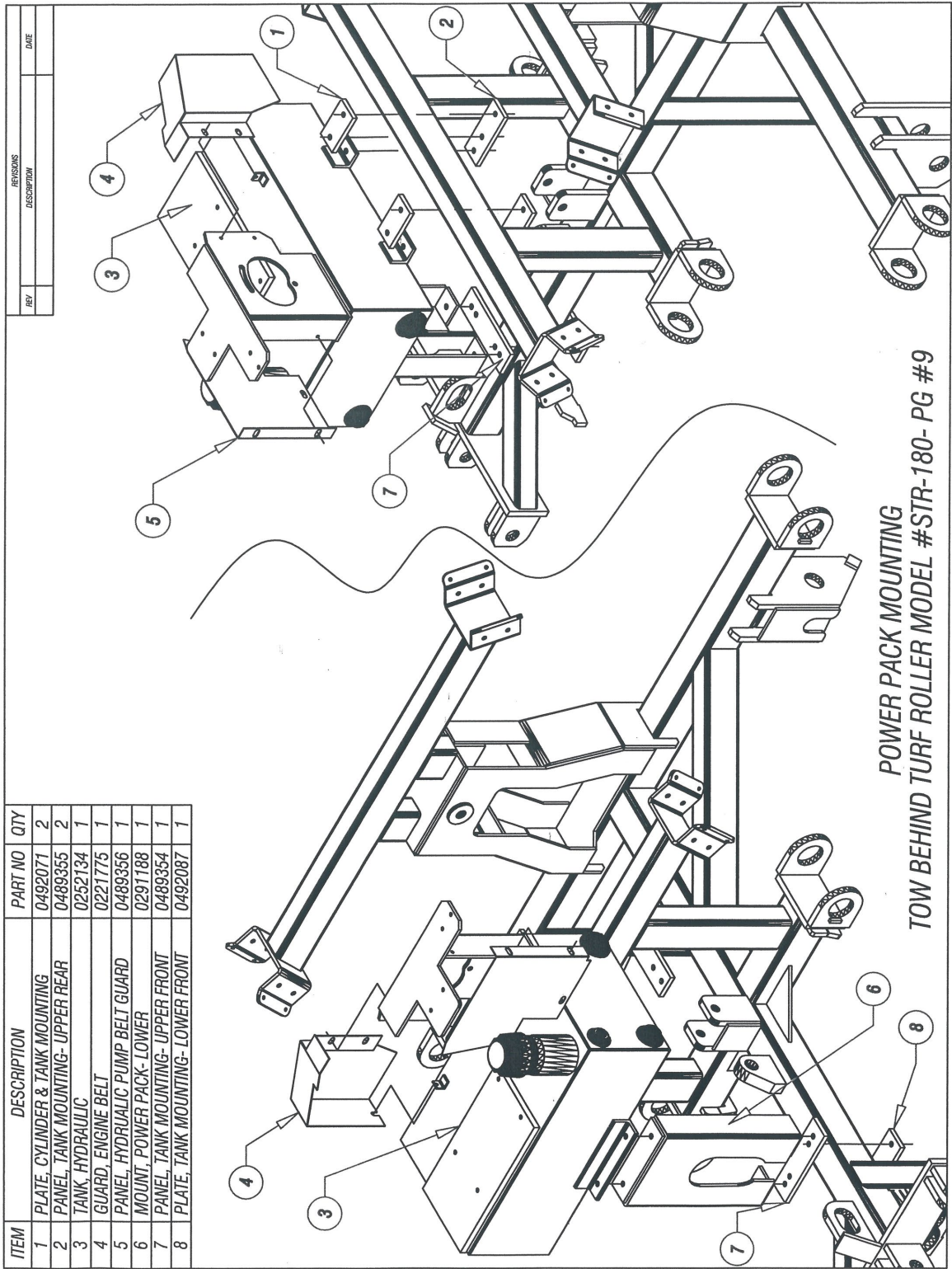
HYDRAULIC CYLINDERS  
TOW BEHIND TURF ROLLER MODEL #STR-180- DWG. # 7

REV	DESCRIPTION	DATE

ITEM	DESCRIPTION	PART NO	QTY
1	BOX, BATTERY	0280090	1
2	PLAT. VALVE MOUNTING- REAR	0492076	1
3	PLATE, CYLINDER & TANK MOUNTING	0492071	2
4	PLATE, ANTENNA BOX MOUNTING	0492077	1
5	MOUNT, REMOTE CONTROL	049T189	1
6	SUPPORT, ANTENNA CHANNEL- LOWER	0477447	2
7	BOX, ANTENNA	0380XXX	1
8	FLOOD LIGHT- LED RECTANGULAR	03T54T3	2
9	REMOTE CONTROL	**	1



TOW BEHIND TURF ROLLER MODEL #STR-180- DWG. # 8

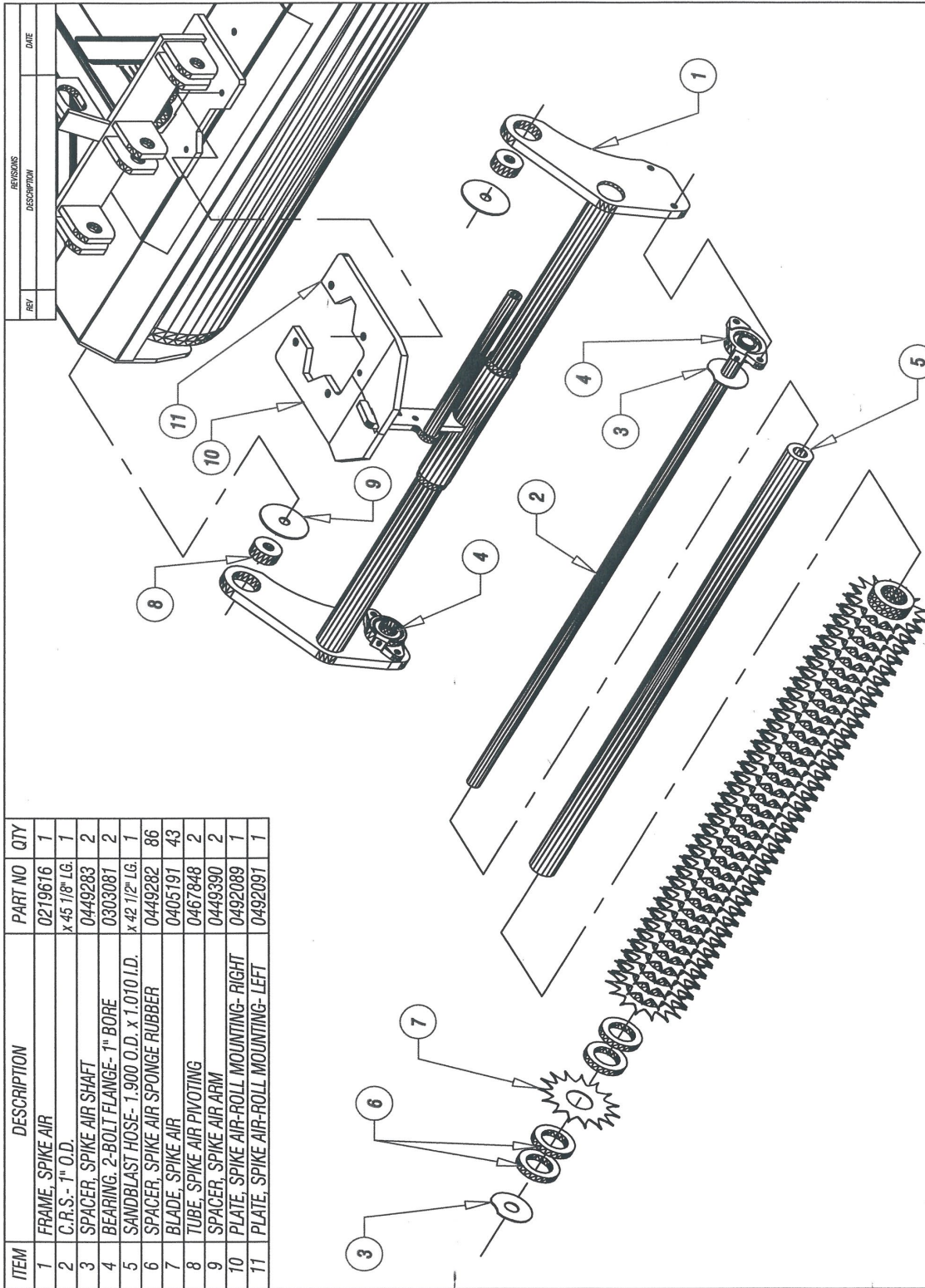


ITEM	DESCRIPTION	PART NO	QTY
1	PLATE, CYLINDER & TANK MOUNTING	0492071	2
2	PANEL, TANK MOUNTING- UPPER REAR	0489355	2
3	TANK, HYDRAULIC	0252134	1
4	GUARD, ENGINE BELT	0221775	1
5	PANEL, HYDRAULIC PUMP BELT GUARD	0489356	1
6	MOUNT, POWER PACK- LOWER	0291188	1
7	PANEL, TANK MOUNTING- UPPER FRONT	0489354	1
8	PLATE, TANK MOUNTING- LOWER FRONT	0492087	1

REV	DESCRIPTION	DATE

POWER PACK MOUNTING  
TOW BEHIND TURF ROLLER MODEL #STR-180- PG #9

ITEM	DESCRIPTION	PART NO	QTY
1	FRAME, SPIKE AIR	0219676	1
2	C.R.S.- 1" O.D.	x45 1/8" LG.	1
3	SPACER, SPIKE AIR SHAFT	0449283	2
4	BEARING, 2-BOLT FLANGE- 1" BORE	0303081	2
5	SANDBLAST HOSE- 1.900 O.D. x 1.010 I.D.	x42 1/2" LG.	1
6	SPACER, SPIKE AIR SPONGE RUBBER	0449282	86
7	BLADE, SPIKE AIR	0405191	43
8	TUBE, SPIKE AIR PIVOTING	0467848	2
9	SPACER, SPIKE AIR ARM	0449390	2
10	PLATE, SPIKE AIR-ROLL MOUNTING- RIGHT	0492089	1
11	PLATE, SPIKE AIR-ROLL MOUNTING- LEFT	0492091	1

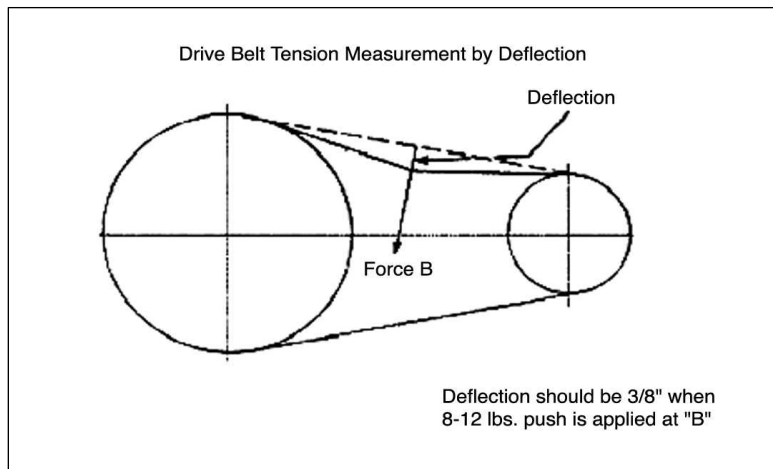


SPIKE AIR (5 TOTAL)  
TOW BEHIND TURF ROLLER MODEL #STR-180- PG #10

Below is a quick reference chart for various  
 “Flat Head Cap Screws” and the torque recommendations.

**VALUES ARE STATED IN FOOT POUNDS**

BOLT SIZE	Thds Per Inch	SAE Grade 5	SAE Grade 8
1/4	20	10	14
	28	---	---
5/16	18	19	29
	24	---	---
3/8	16	33	47
	24	---	---
7/16	14	54	78
	20	---	---
1/2	13	78	119
	20	---	---
9/16	12	114	169
	18	---	---
5/8	11	154	230
	11	---	---
3/4	10	257	380
	10	---	---
7/8	9	382	600
	9	---	---
1	8	587	700
	8	---	---





# **CUSTOMER SUPPORT**

## **Contact Customer Support**

SALSCO

105 Schoolhouse Road

Cheshire, CT 06410 USA

800-872-5726, 203-271-1682

203-271-2596 (Fax)

[www.salsco.com](http://www.salsco.com)

## **Registration and Warranty Information**

[www.salsco.com/register](http://www.salsco.com/register)