

Quality of Workmanship
Innovative Design
Built to Last!



HP5.5 ROLLER - 09083 Operators And Parts Manual



MANUFACTURER OF OUTDOOR POWER EQUIPMENT

Products for Turf & Lawncare, Rental, Construction, Tree Care, Wood Processing, Nursery & Farm Industries

3-1/2" - 18" Capacity, Gas, Diesel, & PTO Wood/Brush Chippers - Slab Chippers
Gas, Electric & Tow Behind Rollers - Tranz-Former Roller - CRV Core Recovery Vehicle
Mini-Paver - Mini-Track Paver - Cobra Curbers - Scorpion Router - Concrete Paver
Chipper Shredder Vacuums - Tailgate & Truckloader Vacuums
9 cu. yds. - 50 cu. yds. Per Hour, Electric, PTO & Diesel Powered Shaving Mills



105 Schoolhouse Road
Cheshire, CT 06410 U.S.A.
800-872-5726 (Toll Free), 203-271-1682, 203-271-2596 (Fax)
www.salsco.com, sales@salsco.com

TABLE OF CONTENTS
MODEL HP 5.5, GAS GREENS ROLLER

COVER & TABLE OF CONTENTS.....Page 1

STATEMENT OF FACT Page 2

SPECIFICATIONS & FEATURESPage 3

MACHINE REGISTRATIONPage 4

SAFETY & OPERATING INSTRUCTIONSPage 5

SERVICE & MAINTENANCE INSTRUCTIONSPage 6

PARTS DIAGRAMSPages 7 – 24

LIGHT KIT WIRING DIAGRAM.....Page - 25

TORQUE CHARTSPage 26

SERVICE SCHEDULE LOGPage 27

SALSCO, INC.
105 Schoolhouse Road
Cheshire, CT 06410
800-872-5726, 203-271-1682
203-271-2596 (Fax)
www.salsco.com, sales@salsco.com

STATEMENT OF FACT

You have just purchased the highest quality, most maneuverable, dependable, **GREENS ROLLER** on the market today. This unit has the ability to meet exact standards and perform for years with minimum downtime. HOWEVER, it cannot read nor will it understand this manual no matter how long you leave it on top of the machine.

It is your responsibility to read and understand this manual; it is also your responsibility to be certain this information is passed along to anyone who is expected to operate this equipment. Should you choose not to read, understand and pass along the information provided you, please expect equipment failure and possible injuries to persons around this equipment.

For the safety of the operator, it is **imperative** that this manual is carefully read and understood.

Once you have read this manual, it is your responsibility to be sure that all new operators read and understand this manual, especially all cautions stated.

As a manufacturer of equipment, we have a responsibility to design a safe piece of equipment. NOTE: The important safeguards and instructions in this manual are not meant to cover all possible conditions and situations that may occur. It must be understood that common sense, caution, and care are factors, which cannot be built into any product. These factors must be supplied by the person(s) caring for and operating this equipment.

ONLY YOU CAN PREVENT ACCIDENTS!!

SPECIFICATIONS - Model 5.5	
ENGINE:	13HP Honda, electric start. Rubber mounted to reduce vibration.
FUEL TANK:	Provided with engine. 1.6 gallons.
CONTROLS:	On/Off switch, choke & fuel.
HOUR METER:	Standard.
BATTERY:	12 Volt, 245 CCA automotive type.
ENGINE COOLING FAN:	Standard.
SEAT:	Molded cushion with protective edge trim, neutral safety switch & forward/reverse adjustment. Rubber mounted to reduce vibration.
STEERING SYSTEM:	All four rolls articulate & oscillate to smooth the surface of the green without changing the undulations designed into the green.
STEERING WHEEL:	13-1/4" diameter, automotive type tilt steering wheel. 13-1 ratio.
MAIN FRAME:	2-1/2" x 2-1/2" x 1/4" steel square tube. Fully gusseted and continuous welds.
DRIVE ROLLS:	Four (4) - Oscillating steel rolls, driven for positive traction. 5.5" diameter, 36" long with beveled ends. Rolls are machined to within two thousandths of an inch concentricity.
TRACTION DRIVE:	Hydraulic pump to 2 hydrostats - 1 to each set of rolls. Chain drive from hydraulic motors to rolls. #50 O-Ring Chain & Sprockets.
CLIMBING TRACTION:	Up to 40°.
BRAKES:	Hydrostatic.
HYDRAULIC COMPONENTS:	Hoses: SAE JIC hose ends & fittings. 3,000 P.S.I. working, 12,000 P.S.I. burst. Motors: Two (2) Char-Lynn 7.3 cubic inch displacement. Pump: One (1) Piston type, .97 cubic inch displacement.
ROLLING SWATH:	36".
SPEED:	Variable 0-11.9 MPH
GROUND PRESSURE:	3.47 lbs. P.S.I.
TRANSPORT TRAILER:	Axle: Spindle type with greaseable hub assemblies. Tire/wheel assemblies: 18.5 X 8.5-8 load range C, 6 ply, rated 935 lbs. Hitch: Tractor type hitch. Jack: 500 lbs. side crank with swivel wheel. Full rubber mat in box and on tailgate.
GUARDS/DECALS:	All moving parts guarded. Full set of safety decals.
PAINT:	Orange, polyester powder coat paint provides excellent outdoor weatherability and offers protection against ultraviolet discoloration. All parts painted separately.
ROLLER OPTIONS:	LED Light Kit, Top Dressing Brush Kit, Inner Spike-Air Kit, Arm Rest Seat Upgrade, Scraper Kit.
ROLLER DIMENSIONS:	Length: 45" Width: 41" Height: 57" Weight: 750 lbs.
TRAILER DIMENSIONS:	Length: 48-3/4" Width: 44-3/4" Side Rails: 10" Hitch Height: 16" Weight: 197 lbs.

MACHINE REGISTRATION

MANUFACTURED BY:

SALSCO
105 Schoolhouse Rd., Cheshire, CT 06410

1. **NEVER** leave unit running while unattended.
2. **NEVER** park on a green for any reason.
3. **NEVER** go down steep hills sideways. **ALWAYS** approach hills straight on.
4. **NEVER** change your mind mid-way down a steep incline. Once you've started down a steep incline, change direction only with the greatest of care and gentlest touch.
5. Allow engine to cool for several minutes before filling with fuel, since fuel tank is over the engine.

NOTE: HONDA ENGINES - ALWAYS TURN OFF THE FUEL SHUTOFF, WHEN THE ENGINE IS NOT RUNNING, i.e. WHEN IN TRANSPORT, STORAGE, ETC.

OPERATING INSTRUCTIONS

1. Check that the unit has been serviced and all fluids are checked and topped off.
2. Check all hydraulic hose fittings.
3. Push fuel shut off switch to on position.
- 4.
5. Push choke to full on position
6. Push throttle to just above idle.
7. Turn on/off switch to on position.
8. You should start engine from seat position. Just reach down to engine controls. Keep feet off pedals. Hydrostatic drive should come to neutral when engine starts.
9. Hydrostatic transmission should come to neutral when engine is started. **REMEMBER: RIGHT PEDAL TO GO RIGHT, LEFT PEDAL TO GO LEFT.**
10. Slide choke to full off position.
11. Once unit is running at just above idle, push pedal down slowly. Unit will begin to move. Drive it out of trailer on to grass area.
12. Since the unit is hydrostatic, engine should run at full R.P.M. and speed should be controlled by pressure on the pedal.

HINTS:

1. **KEEP BOTH FEET ON PEDALS AT ALL TIMES.** By keeping your heels planted and moving your toes to change direction, you have smooth control - left to right.
2. If you roll the same direction as green was mowed, it's easy to follow the lines. This helps a new operator do a fine job sooner.
3. To insure longer life to your unit, when changing direction do so smoothly.

03/2011

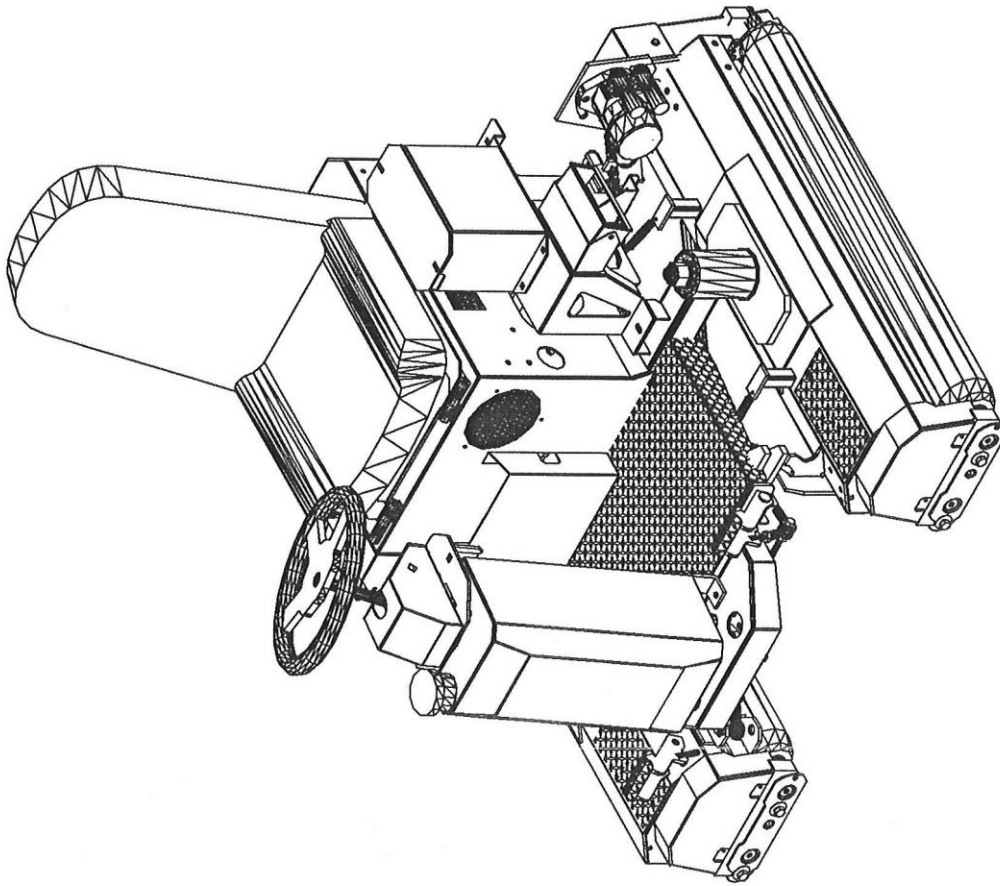
SERVICE & MAINTENANCE INSTRUCTIONS

1. Check all hydraulic hoses **DAILY, or before each scheduled use**, for wear and any signs of rubbing or chaffing. **REMINDER:** Drive motor hoses should be treated as wear items and should be replaced on a yearly basis.
2. Check all fittings for any signs of leaking **DAILY, or before each scheduled use**.
3. Check all grease fittings on a **WEEKLY** basis, and grease as necessary. (Add ½ shot of grease in all four bearings.)
4. Check engine to manufacturers' specifications and maintenance. **USE CORRECT OIL.** (Per Honda Manual).
5. Check hydraulic oil (use correct oil per decal).
6. Check Fuel **NEVER** fill a **HOT** engine.
7. Slide fuel shut off towards the engine. Always shut off the fuel when unit is **NOT** in use.
8. Slide choke away from engine till engine starts then turn choke off allowing engine to warm up.
9. When transporting unit from green to green be sure to turn off fuel.
10. **Oil & Filter Type** – It has been determined that your Salsco machine will perform better by using a 25 micron filter. Salsco recommends using Mobil DTE 26 or Citgo HYD 68, non-detergent hydraulic oil, or their equivalents. The oil should have a viscosity rating of at least 100 SSU. While this is not a necessity, it will improve the overall performance of your machine. Salsco is now using this filter and hydraulic oil on all our machines using hydraulics.

SAFETY IS A PRIME CONCERN AT SALSCO AND THE SAFETY DECALS ON YOUR MACHINE ARE A HIGHLY VISIBLE AND CONSTANT REMINDER TO ALL OPERATORS. REPLACEMENT SAFETY DECALS MAY BE OBTAINED BY CALLING SALSCO @ 1-800-872-5726, OR THE DEALER IN YOUR AREA.

05/2013

ISSUED: 05-06-2013

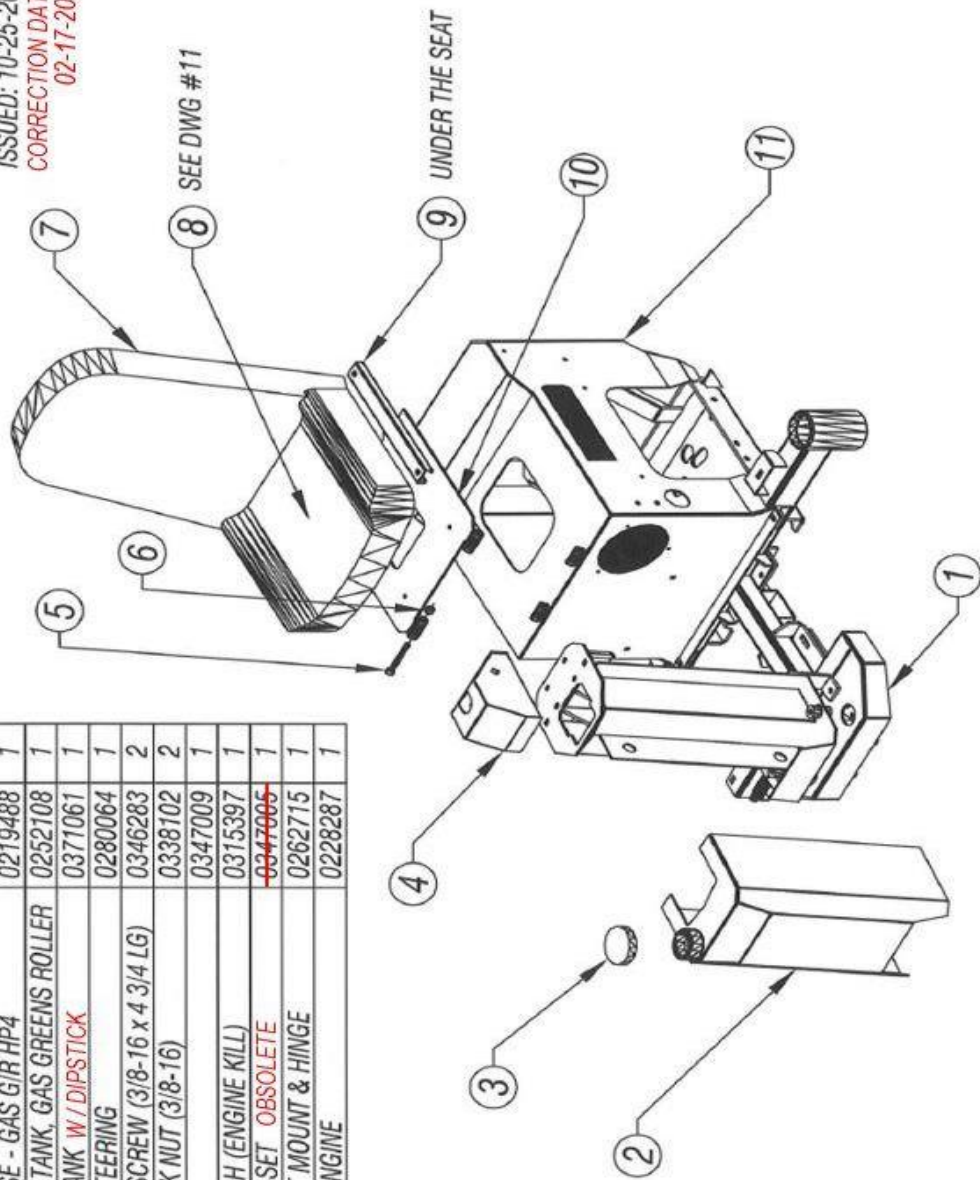


GAS GREENS ROLLER - MODEL HP5.5 - DWG #1

ISSUED: 05-06-2013
 ISSUED: 10-25-2013
 CORRECTION DATE:
 02-17-2021

ITEM	DESCRIPTION	PART NO	QTY
1	FRAME, BASE - GAS G/R HP4	0219488	1
2	HYDRAULIC TANK, GAS GREENS ROLLER	0252108	1
3	CAP, HYD TANK W/ DIPSTICK	0371061	1
4	BOX, TILT STEERING	0280064	1
5	HEAD CAP SCREW (3/8-16 x 4 3/4 LG)	0346283	2
6	NYLON LOCK NUT (3/8-16)	0338102	2
7	SEAT	0347009	1
8	SEAT SWITCH (ENGINE KILL)	0315397	1
9	SEAT SLIDE-SET OBSOLETE	0347005	1
10	PLATE, SEAT MOUNT & HINGE	0282715	1
11	HOUSING, ENGINE	0228287	1

OPTION: If new seat is purchased for SN 0 - 5175, part 0290048-N can be used so that mounting holes are correctly spaced.

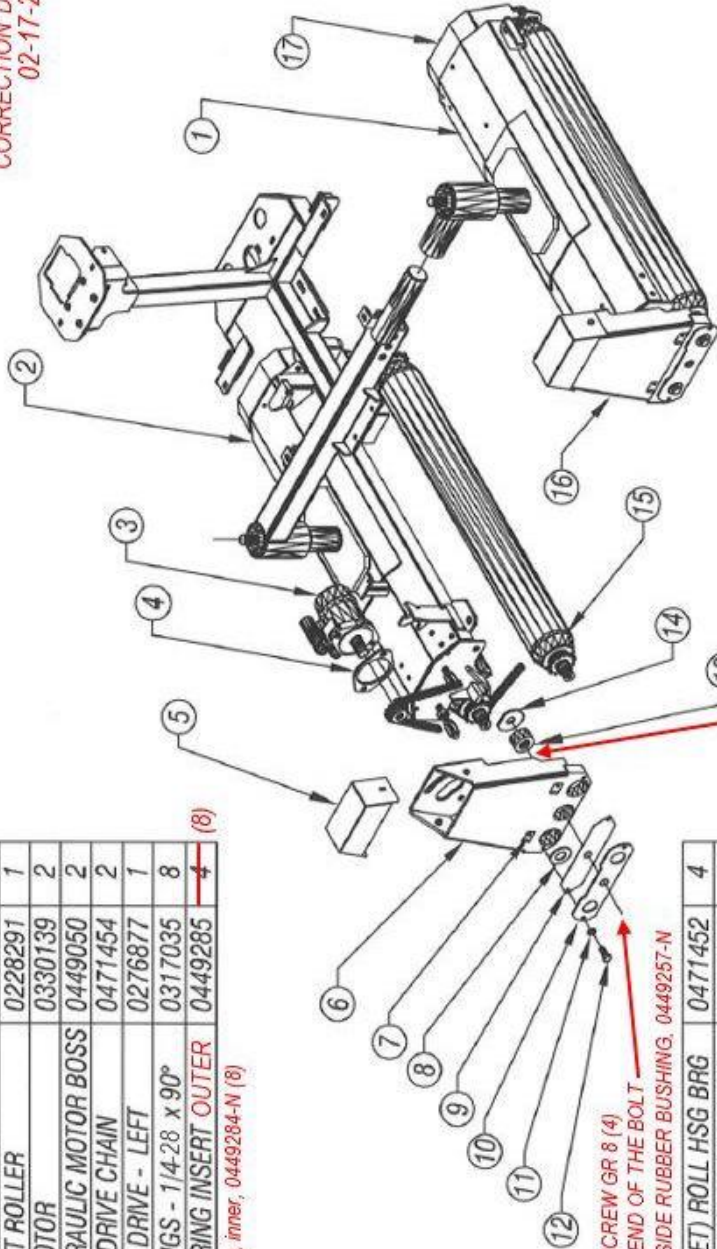


GAS GREENS ROLLER - MODEL HP5.5 - DWG #2

ISSUED: 05-06-2013
 ISSUED: 10-29-2013
 CORRECTION DATE: 02-17-2021

ITEM	DESCRIPTION	PART NO	QTY
1	HOUSING, RIGHT ROLLER	0228290	1
2	HOUSING, LEFT ROLLER	0228291	1
3	HYD DRIVE MOTOR	0330139	2
4	SPACER, HYDRAULIC MOTOR BOSS	0449050	2
5	COVER, ROLL DRIVE CHAIN	0471454	2
6	MOUNT, ROLL DRIVE - LEFT	0276877	1
7	GREASE FITTINGS - 1/4-28 x 90°	0317035	8
8	SPACER, BEARING INSERT OUTER	0449285	4 (8)

#9 Spacer bearing, inner, 0449284-N (8)



0346634-N: 3/4" X 10 X 6" HEX CAP SCREW GR 8 (4)

0338106-N: 3/4" X 10, GOES AT THE END OF THE BOLT

*METAL TUBE, 0449288-N, GOES INSIDE RUBBER BUSHING, 0449257-N

9	COVER (GASKET) ROLL HSG BRG	0471452	4
10	COVER, ROLLER SHAFT BEARING	0471453	4
11	LOCK WASHER 5/16", GR 8	0353012	8
12	HEX HD CAP SCREW 5/16"-18 X 3/4"	0346172	8
13	SPACER, ROLLER SHAFT DRIVE	0449287	2
14	WASHER, ROLL SHAFT DRIVE PIVOT	0453215	4
15	ROLLER/SHAFT	0248381	4
16	MOUNT, ROLL DRIVE - RIGHT	0276878	1
17	MOUNT, ROLLER SHAFT IDLER	0276879	2

GAS GREENS ROLLER - MODEL HP5.5 - DWG #3

0309033-N: LINK, MASTER NO. 50H

ITEM	DESCRIPTION	PART NO	QTY
1	HYD ROLL DRIVE MOTOR	0330139	2
2	SPACER, HYD DRIVE MOTOR BOSS	0449050	2
3	SPROCKET, ROLL DRIVE MOTOR	0251186	2
4	ROLLER CHAIN #50H X 81 PITCH	0309096	2
5	INSERT, UHNW - 1/2 DIA X 3/4 LONG	STOCK	4
6	SUPPORT, ROLLER SHAFT DRIVE MT.	0277365	4
7	HEX HEAD CAP SCREW	0346174	4

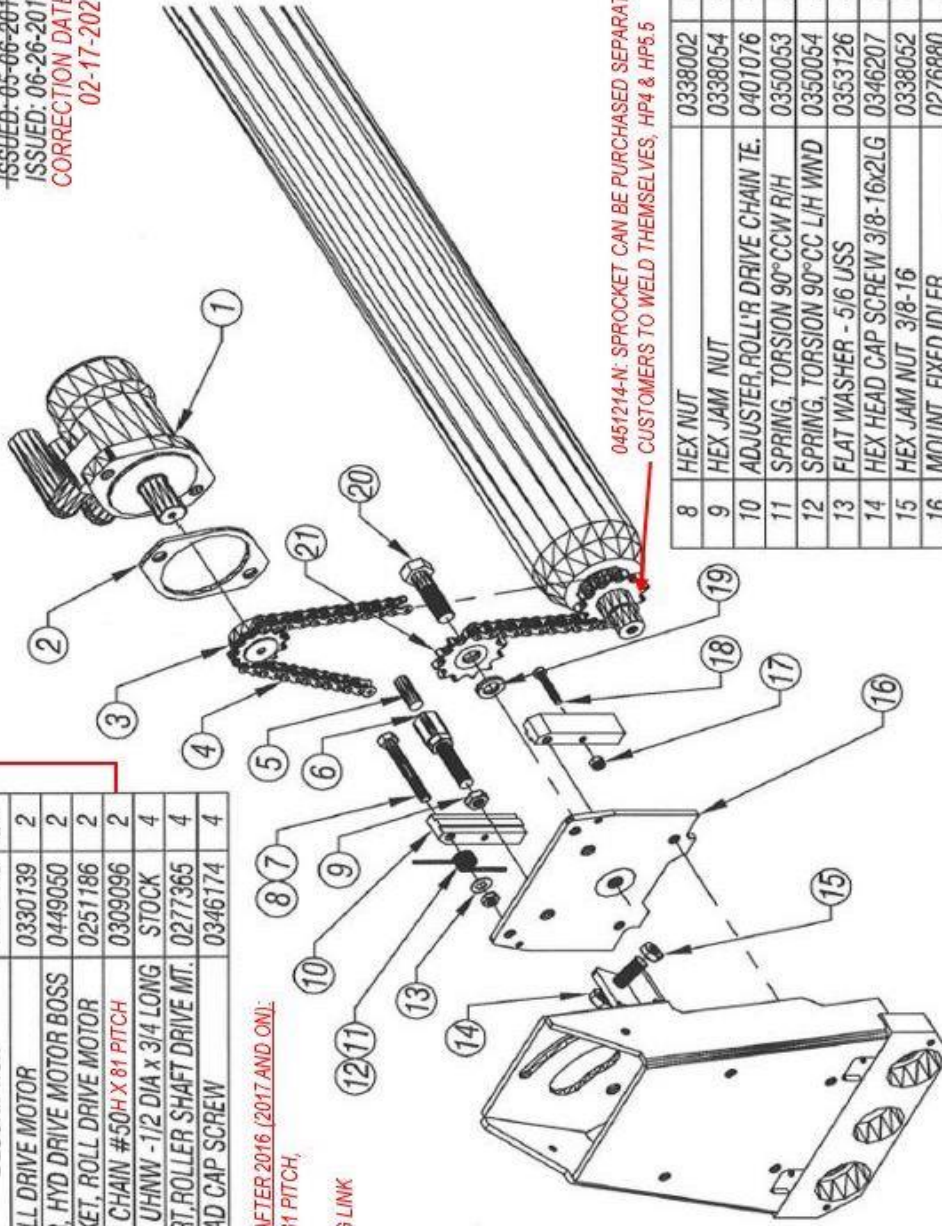
MANDATORY UPDATE FOR MACHINES BUILT AFTER 2016 (2017 AND ON):

0309105-N: O-RING DIAMOND CHAIN, 50 X LO-81 PITCH,

GGR - HP 5.5

0309098-N: O-RING SPRING CLIP CONNECTING LINK
FOR 50XLO-79 PITCH CHAIN, QTY (2)

ISSUED: 05-06-2013
ISSUED: 06-26-2013
CORRECTION DATE:
02-17-2021



0451214-N: SPROCKET CAN BE PURCHASED SEPARATE FOR
CUSTOMERS TO WELD THEMSELVES, HP4 & HP5.5

8	HEX NUT	0338002	4
9	HEX JAM NUT	0338054	4
10	ADJUSTER, ROLLER DRIVE CHAIN TE.	0401076	4
11	SPRING, TORSION 90° CCW R/H	0350053	2
12	SPRING, TORSION 90° CC L/H WND	0350054	2
13	FLAT WASHER - 5/16 USS	0353126	4
14	HEX HEAD CAP SCREW 3/8-16x2LG	0346207	2
15	HEX JAM NUT 3/8-16	0338052	4
16	MOUNT, FIXED IDLER	0276880	2
17	NYLON LOCK NUT 1/4-20	0338100	4
18	HEX HEAD CAP SCREW 1/4-20x1.5	0346073	4
19	LOCK WASHER, SPLIT 5/8 ID	0353014	2
20	SPECIAL BOLT, FIXED IDLER MOUNT	0446652	2
21	SPROCKET, BALL BEARING #50	0351107	2

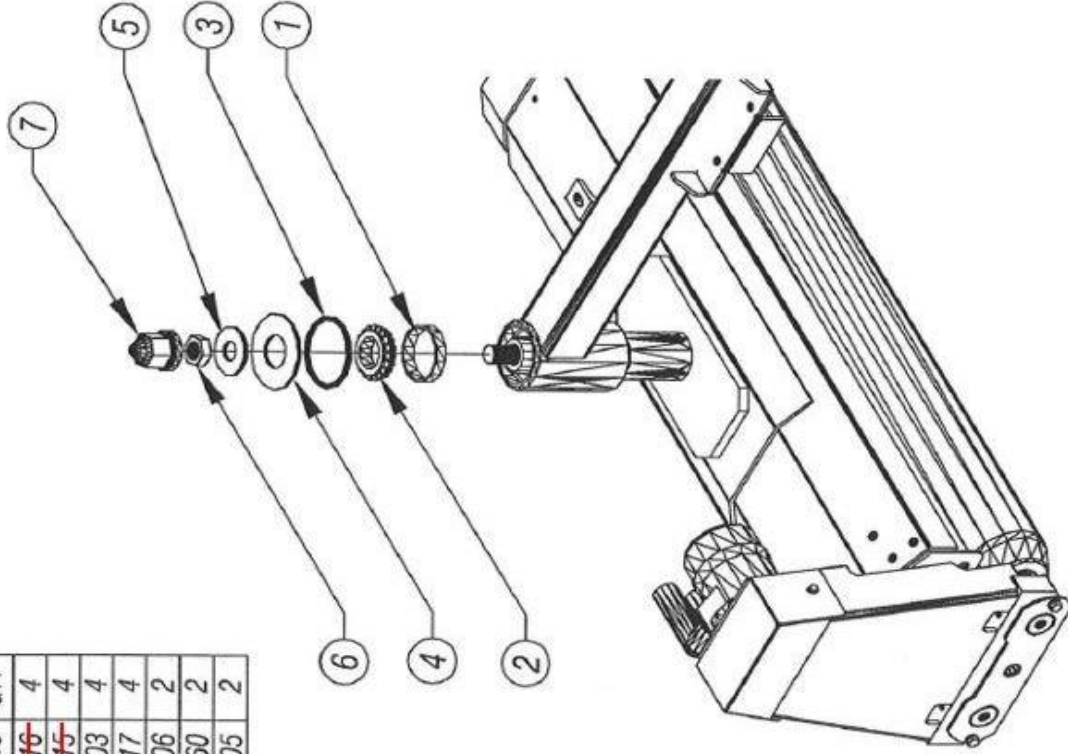
GAS GREENS ROLLER - MODEL HP5.5 - DWG 4

ISSUED: 05-06-2013
CORRECTION DATE: 02-17-2021

ITEM	DESCRIPTION	PART NO	QTY
1	BEARING CUP OBSOLETE	0363016	4
2	CONE BEARING OBSOLETE	0363015	4
3	O-RING, 3" ID X 3/8" OD X 3/16"	0343003	4
4	WASHER, 1-9/16" ID X 3-1/2" ODX 1/8"	0453117	4
5	FLAT WASHER, 3/4" USS FW GR 8	0353106	2
6	JAM NUT, 7/8" -14	0338060	2
7	CAP. LUG NUT. CHROME	0338405	2

Replaced with 0303089-N

Replaced with 0303090-N



GAS GREENS ROLLER MODEL HP5.5 - DWG #5

ISSUED: 15-06-2013
 CORN IN DATE
 17-2021

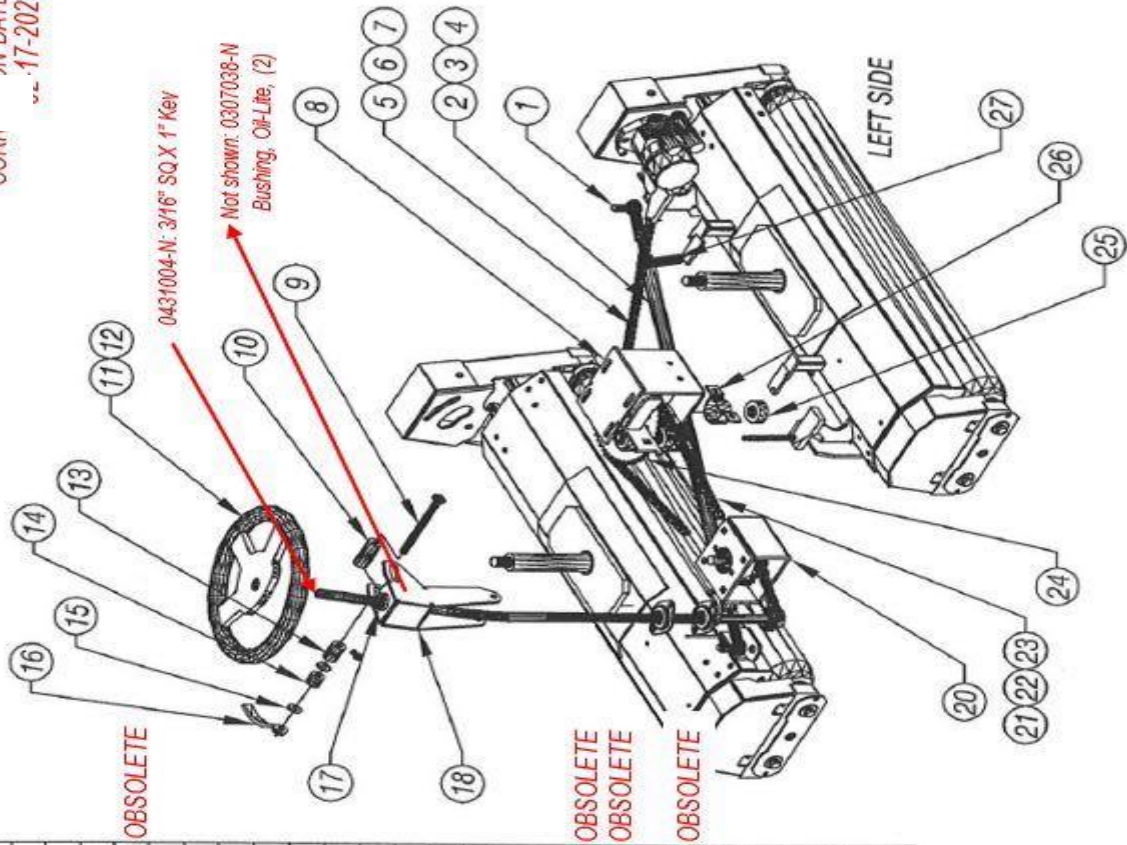
ITEM	DESCRIPTION	PART NO	QTY
1	ROD END (5/8-18)	0303087	2
2	TIE ROD (5/8-18)	0245190	1
3	JAM NUT, (5/8-18)	0338110	2
4	LOCK NUT (5/8-11)	0353015	2
5	ROLLER CHAIN, #50 (60) LINKS	0309006	1
6	MASTER LINK #50	0309008	4
7	HALF LINK #50	0309022	1
8	BRACKET, STEERING SPROCKET	0288042	1
9	CARRIAGE BOLT 1/2"-13 X 6" ZINC	0346469	1
10	DOM TUBE - 1" OD x 1/4 WALL x 2.5 LONG		1
11	STEERING WHEEL OBSOLETE	0336052	1
12	CAP. STEERING WHEEL OBSOLETE	0306104	1
13	DOM TUBE - 1" OD x 1/4 WALL x 1.515 LONG		1
14	DOM TUBE - 1" OD x 1/4 WALL x .875 LONG		1
15	WASHER, FLAT - UHMW	0353333	2
16	EASY GRIP HANDLE - (1/2 - 13)	0323142	1
17	BUSHING, OILITE	0307038	2
18	ARM, TILT WHEEL STEERING PIVOT	0265122	1
19	SHAFT, MAIN FRAME STEERING	0448029	1
20	BOX, STEERING REDUCTION	0280065	1
21	ROLLER CHAIN, #40 (77) LINKS	0309006	1
22	MASTER LINK #40	0309006	1
23	HALF LINK #40	0309019	1
24	SPROCKET & SHAFT	0251060	1
25	FLANGETTE BEARING INSERT-3/4 ID	0303005	2
26	FLANGETTE PILLOW BLOCK	0303024	2
27	EXTENSION SPRING	0350009	2

Replaced with 0309051-N
 #50 ROLLER CH, 59 PITCH

Replaced with 0354142-N
 Replaced with 0354143-N

Replaced 0165121-N: Needs
 to be pressed with bushings
 Replaced with 0248404-N

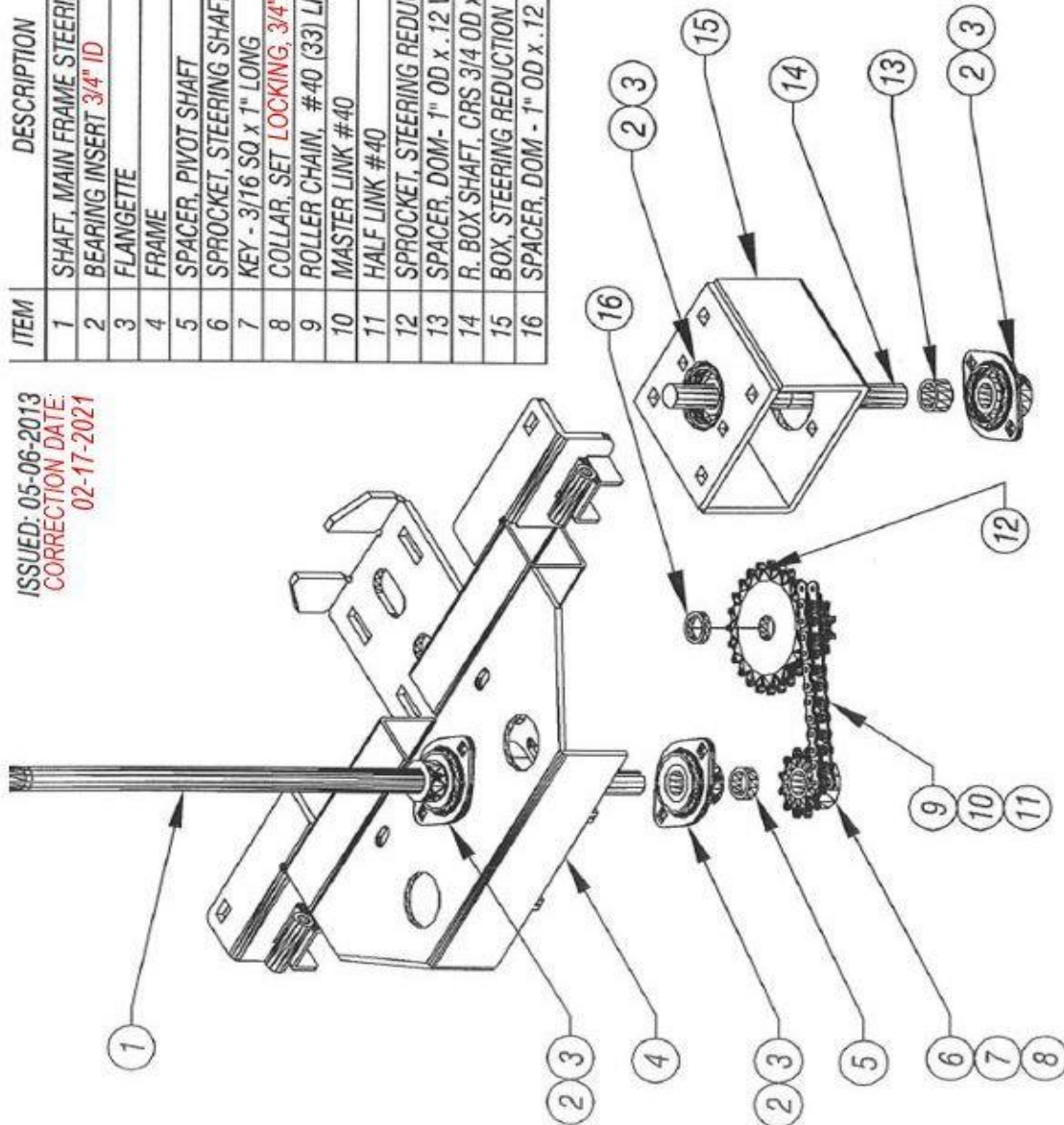
Replaced with 0309088-N



GAS GREENS ROLLER - MODEL HP5.5 - DWG #6

ISSUED: 05-06-2013
CORRECTION DATE:
02-17-2021

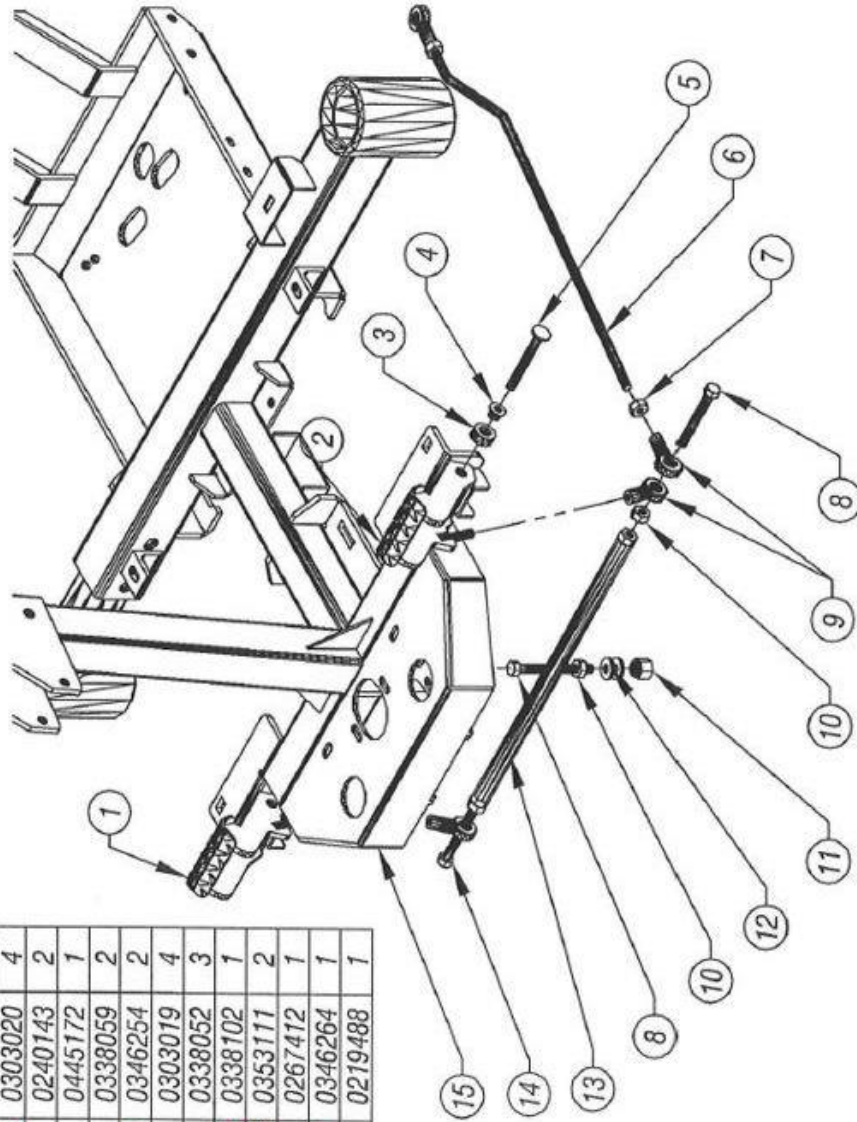
ITEM	DESCRIPTION	PART NO	QTY
1	SHAFT, MAIN FRAME STEERING	0448329	1
2	BEARING INSERT 3/4" ID	0303023	4
3	FLANGETTE	0303005	4
4	FRAME	0219488	1
5	SPACER, PIVOT SHAFT	0449039	1
6	SPROCKET, STEERING SHAFT 40B12 X 3/4	0351003	1
7	KEY - 3/16 SQ x 1" LONG	0431004	1
8	COLLAR, SET LOCKING, 3/4" PLATED	0311006	1
9	ROLLER CHAIN, #40 (33) LINKS	0309045	1
10	MASTER LINK #40	0309006	1
11	HALF LINK #40	0309019	1
12	SPROCKET, STEERING REDUCTION	0251215	1
13	SPACER, DOM- 1" OD x .12 WALL x 1/2	STOCK	1
14	R. BOX SHAFT, CRS 3/4 OD x 4 5/8 LONG	STOCK	1
15	BOX, STEERING REDUCTION	0280065	1
16	SPACER, DOM - 1" OD x .12 WALL x 3/16	STOCK	1



GAS GREENS ROLLER - MODEL HP5.5 - DWG #7

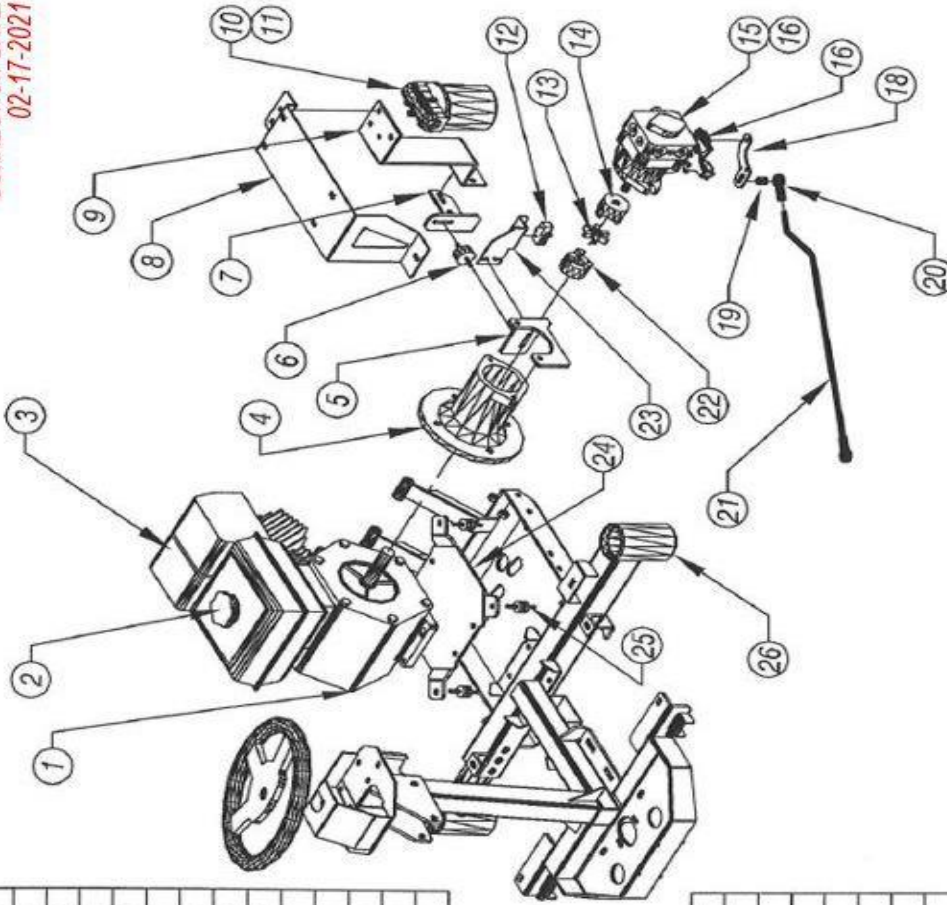
ISSUED: 05-06-2013
 CORRECTION DATE:
 02-17-2021

ITEM	DESCRIPTION	PART NO	QTY
1	PEDAL, FOOT- RIGHT	0268028	1
2	PEDAL, FOOT- LEFT	0268029	1
3	COLLAR, SET 3/8"	0311031	2
4	BUSHING, FLGD- OILLITE 3/8" ID	0303020	4
5	PIN, FOOT PEDAL PIVOT	0240143	2
6	ROD, FORWARD/REVERSE	0445172	1
7	JAM NUT, 3/8-24	0338059	2
8	SCREW, HEX HEAD 3/8"-16 X 2-1/4"	0346254	2
9	ROD END 3/8"-24	0303019	4
10	JAM NUT, 3/8-16	0338052	3
11	LOCK NUT, NYLON INSERT 3/8"-16	0338102	1
12	FLAT WASHER 3/8" USS FW GR8	0353111	2
13	TUBE, STEERING	0267412	1
14	SCREW, HEX HEAD 3/8"-16 X 1-3/4"	0346264	1
15	FRAME, BASE	0219488	1



GAS GREENS ROLLER - MODEL HP5.5- DWG #8

ISSUED: 05-06-2013
 CORRECTION DATE:
 02-17-2021



GAS GREENS ROLLER - MODEL HP5.5 - DWG #9

ITEM	DESCRIPTION	PART NO	QTY
1	ENGINE, 13HP HONDA	0337033	1
2	GAS CAP	0371411	1
3	FUEL SCREEN FILTER	0318048	1
4	BELL HOUSING	0328059	1
5	SUPPORT, HYD PUMP	0477231	1
6	RUBBER MOUNT, VIBRT DAMPG	0376250	1
7	BRACKET, VIBRATION DAMPING	0406877	1
8	MOUNT, BATTERY BOX	0276771	1
9	BRACKET, OIL FILTER	0488045	1
10	HYD FILTER & HOUSING	0318022	1
11	HYD FILTER ELEMENT ONLY	0318023	1
12	SWITCH, SNAP ACTION (NEUTRAL)	0315375	1
13	SPIDER COUPLING	0313004	1
14	HUB, 17mm BORE	0313081	1

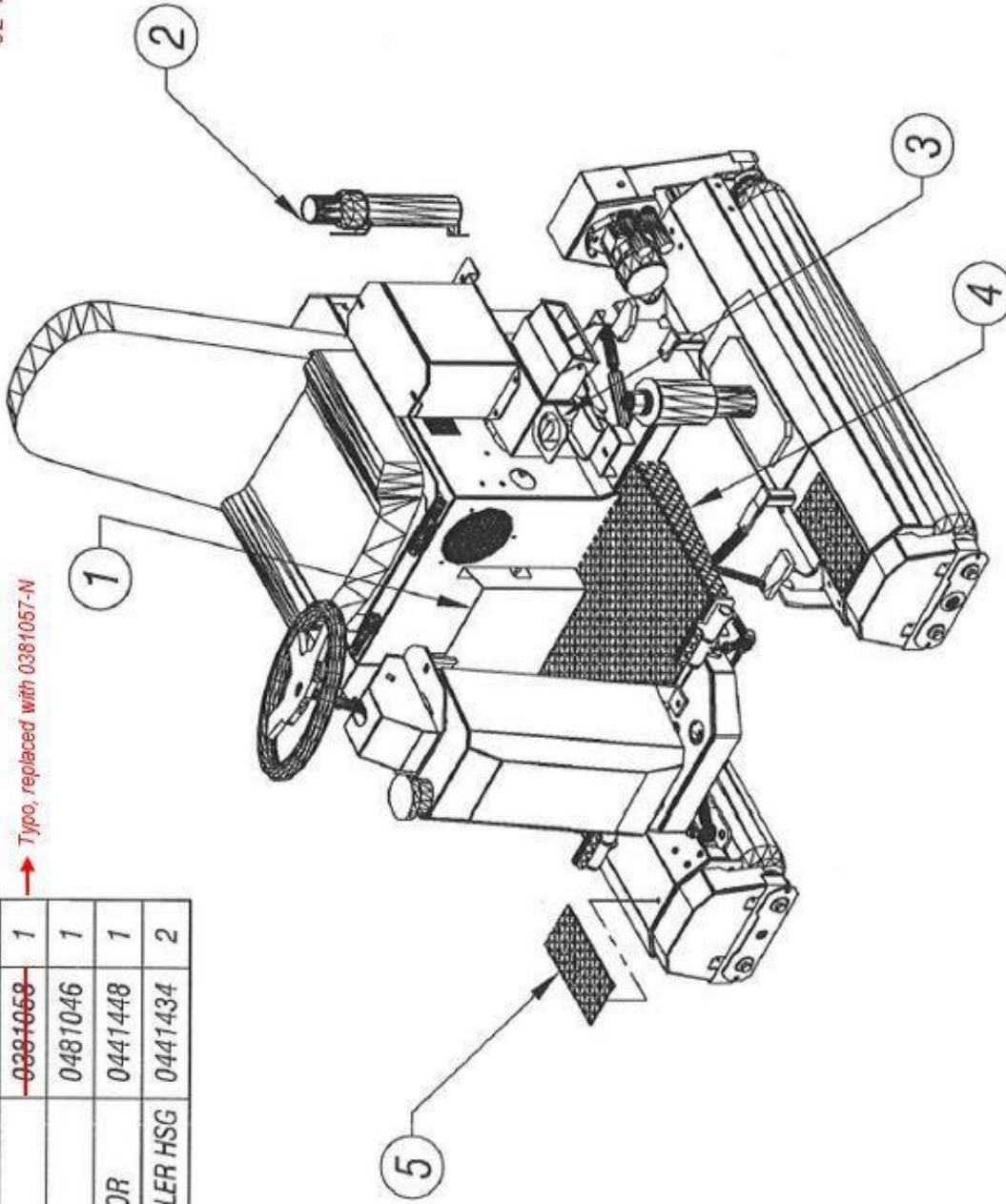
Typo, replaced with 0288045-N ←

15	HYDRAULIC PUMP	0330218	1
16	SEAL KIT - HYDRAULIC PUMP	0330222	1
17	LINKAGE - RETURN TO NEUTRAL	0330223	1
18	LEVER, HYD PUMP- EXTENDED	0433209	1
19	SPACER, STL-3/8 ID x 5/8 OD x 11/16(STOCK)	1	1
20	ROD END	0303019	2
21	ROD, FORWARD / REVERSE	0445172	1
22	HUB, 1" BORE	0313003	1
23	BRKT, SWITCH MOUNTG (NEUTR.)	0488046	1
24	PLATE, ENGINE MOUNT	0462462	1
25	RUBBER MOUNT	0376319	4
26	FRAME, BASE	0219488	1

ISSUED: 05-06-2013
 CORRECTION DATE:
 02-17-2021

ITEM	DESCRIPTION	PART NO	QTY
1	HOLDER, CLIPBOARD	0481053	1
2	HOLDER, MANUAL	0381058	1
3	HOLDER, CAN	0481046	1
4	PLATE, DIAMOND- FLOOR	0441448	1
5	PLATE, DIAMOND- ROLLER HSG	0441434	2

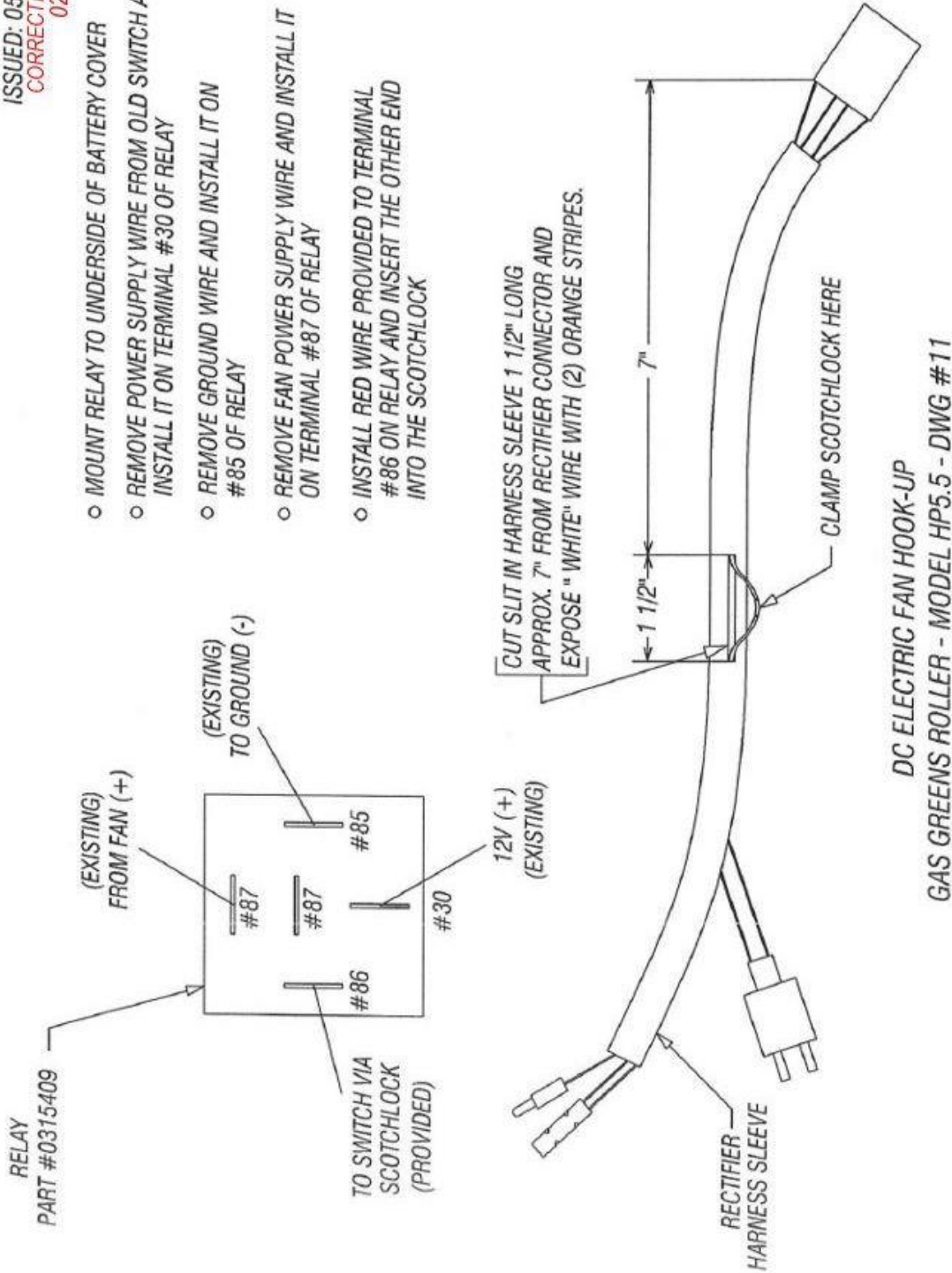
→ Typo, replaced with 0381057-N



GAS GREENS ROLLER - MODEL HP5.5 - DWG #10

ISSUED: 05-06-2013
CORRECTION DATE:
02-17-2021

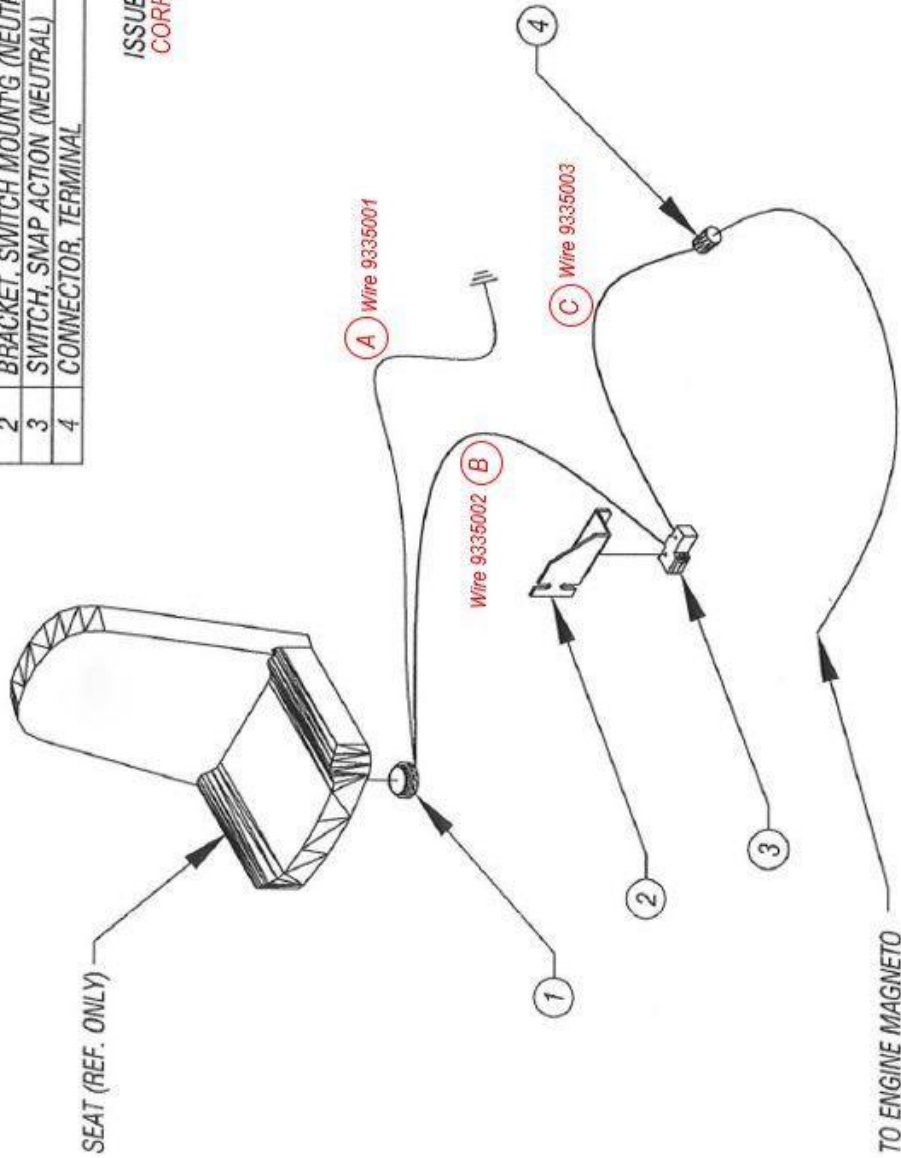
- MOUNT RELAY TO UNDERSIDE OF BATTERY COVER
- REMOVE POWER SUPPLY WIRE FROM OLD SWITCH AND INSTALL IT ON TERMINAL #30 OF RELAY
- REMOVE GROUND WIRE AND INSTALL IT ON #85 OF RELAY
- REMOVE FAN POWER SUPPLY WIRE AND INSTALL IT ON TERMINAL #87 OF RELAY
- INSTALL RED WIRE PROVIDED TO TERMINAL #86 ON RELAY AND INSERT THE OTHER END INTO THE SCOTCHLOCK



DC ELECTRIC FAN HOOK-UP
GAS GREENS ROLLER - MODEL HP5.5 - DWG #11

ITEM	DESCRIPTION	PART NO	QTY
1	SEAT SWITCH (ENGINE KILL)	0315349	1
2	BRACKET, SWITCH MOUNTG (NEUTR.)	0406978	1
3	SWITCH, SNAP ACTION (NEUTRAL)	0315375	1
4	CONNECTOR, TERMINAL	0315354	1

ISSUED: 05-06-2013
CORRECTION DATE:
02-17-2021



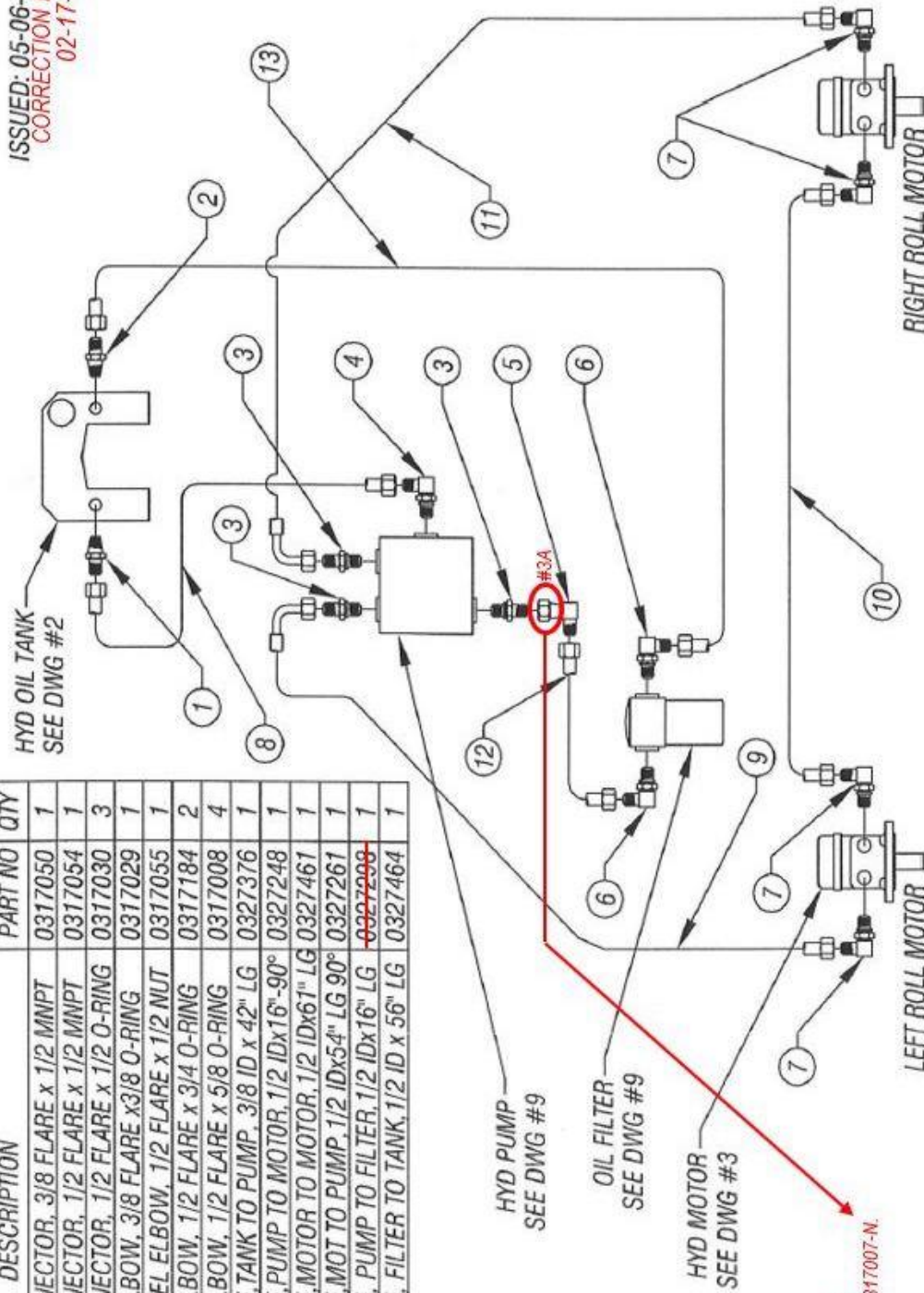
COMPLETE - NEUTRAL SAFETY SWITCH ASSEMBLY
GAS GREENS ROLLER - MODEL HP5.5 - DWG #12

Items A-C per Mark Moore

ISSUED: 05-06-2013
CORRECTION DATE:
02-17-2021

ITEM	DESCRIPTION	PART NO	QTY
1	CONNECTOR, 3/8 FLARE x 1/2 MNPT	0317050	1
2	CONNECTOR, 1/2 FLARE x 1/2 MNPT	0317054	1
3	CONNECTOR, 1/2 FLARE x 1/2 O-RING	0317030	3
4	90°-ELBOW, 3/8 FLARE x 3/8 O-RING	0317029	1
5	SWIVEL ELBOW, 1/2 FLARE x 1/2 NUT	0317055	1
6	90°-ELBOW, 1/2 FLARE x 3/4 O-RING	0317184	2
7	90°-ELBOW, 1/2 FLARE x 5/8 O-RING	0317008	4
8	HOSE, TANK TO PUMP, 3/8 ID x 42" LG	0327376	1
9	HOSE, PUMP TO MOTOR, 1/2 ID x 16"-90°	0327248	1
10	HOSE, MOTOR TO MOTOR, 1/2 ID x 61" LG	0327461	1
11	HOSE, MOT TO PUMP, 1/2 ID x 54" LG 90°	0327261	1
12	HOSE, PUMP TO FILTER, 1/2 ID x 16" LG	0327208	1
13	HOSE, FILTER TO TANK, 1/2 ID x 56" LG	0327464	1

Use 0327466-N →

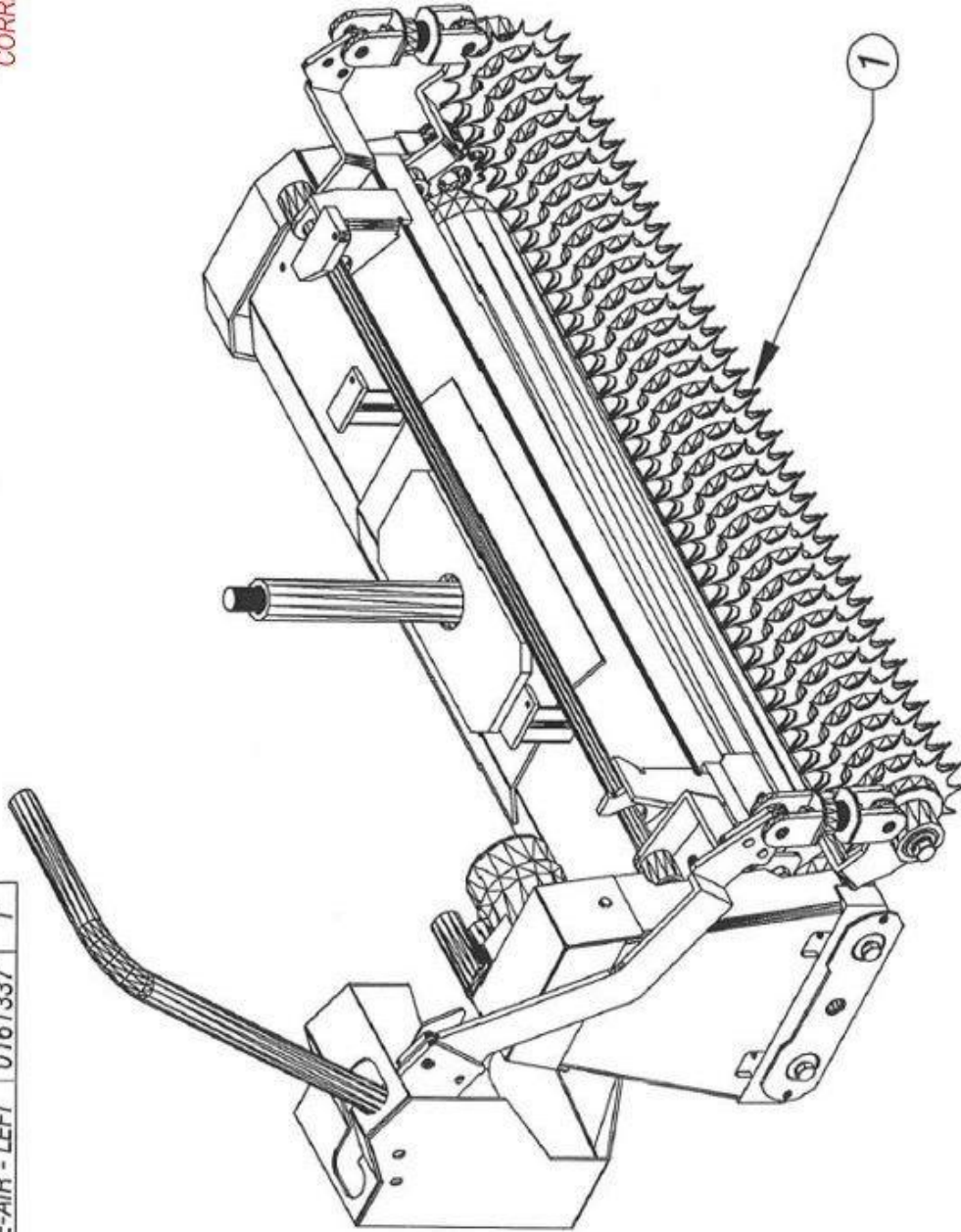


For 8 HP use #3 and #5 connectors.
For 9 HP use only #3A connector, 0317007-N.

HYDRAULIC COMPONENTS, FITTINGS & HOSES
GAS GREENS ROLLER - MODEL HP5.5 - DWG #13

ITEM	DESCRIPTION	PART NO	QTY
1	KIT, INNER SPIKE-AIR - LEFT	0161337	1

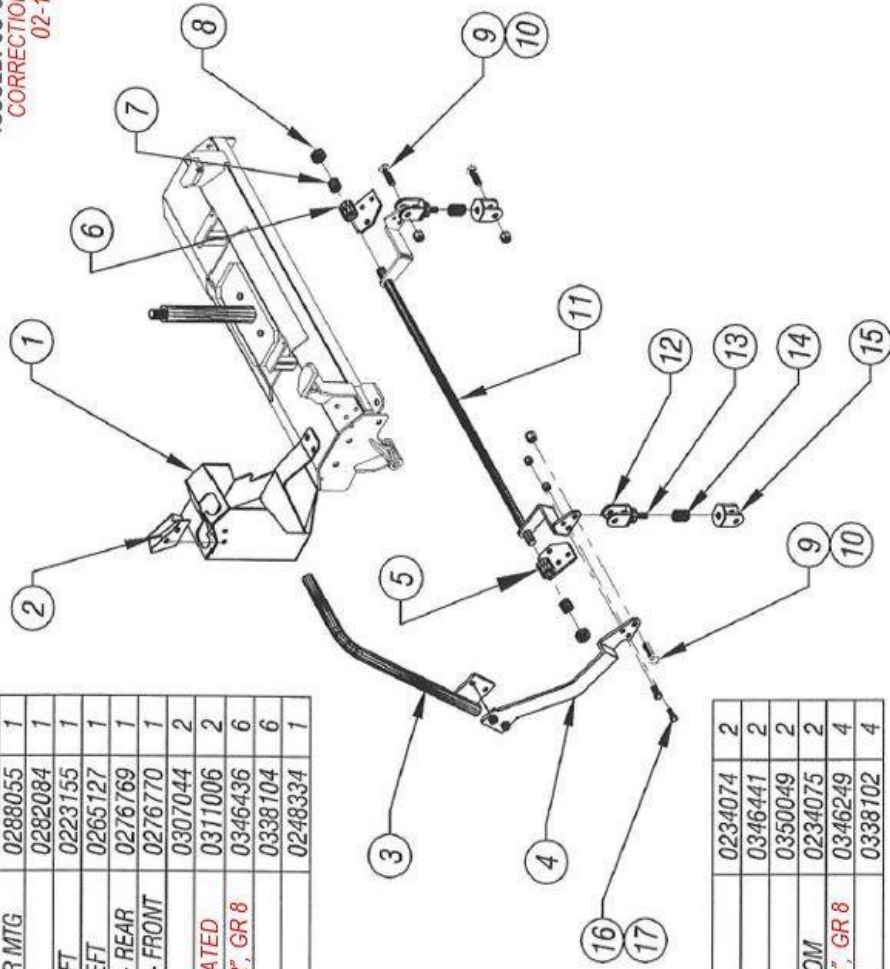
ISSUED: 05-06-2013
CORRECTION DATE:
02-17-2021



OPTION KIT, INNER-SPIKE-AIR-LEFT
GAS GREENS ROLLER - MODEL HP5.5 - DWG #14
KIT PART #0161362-N

ISSUED: 05-06-2013
CORRECTION DATE:
02-17-2021

ITEM	DESCRIPTION	PART NO	QTY
1	BRACKET, SPIKE-AIR LIFT LEVER MTG	0288055	1
2	STOP, SPIKE-AIR LEVER - LEFT	0282084	1
3	HANDLE, SPIKE-AIR LEVER - LEFT	0223155	1
4	ARM, INNER SPIKE-AIR LIFT - LEFT	0265127	1
5	MOUNT, INNER SPIKE-AIR LIFT - REAR	0276769	1
6	MOUNT, INNER SPIKE-AIR LIFT - FRONT	0276770	1
7	BUSHING, OILITE	0307044	2
8	COLLAR, SET LOCKING 3/4" PLATED	0311006	2
9	HEX HD CAP SCREW 1/2"-13 X 2", GR 8	0346436	6
10	LOCK NUT NYLON, 1/2"-13	0338104	6
11	SHAFT SPIKE-AIR PIVOT	0248334	1



12	LINK, SPIKE-AIR SPRING - TOP	0234074	2
13	HEX HD TAP BOLT	0346441	2
14	COMPRESSION SPRING	0350049	2
15	LINK, SPIKE-AIR SPRING - BOTTOM	0234075	2
16	HEX HD CAP SCREW 3/8"-16 X 1", GR 8	0346249	4
17	LOCK NUT NYLON, 3/8"-16	0338102	4

OPTION KIT, INNER-SPIKE-AIR-LEFT
GAS GREENS ROLLER - MODEL HP5.5 - DWG #15
KIT PART #0161362-N

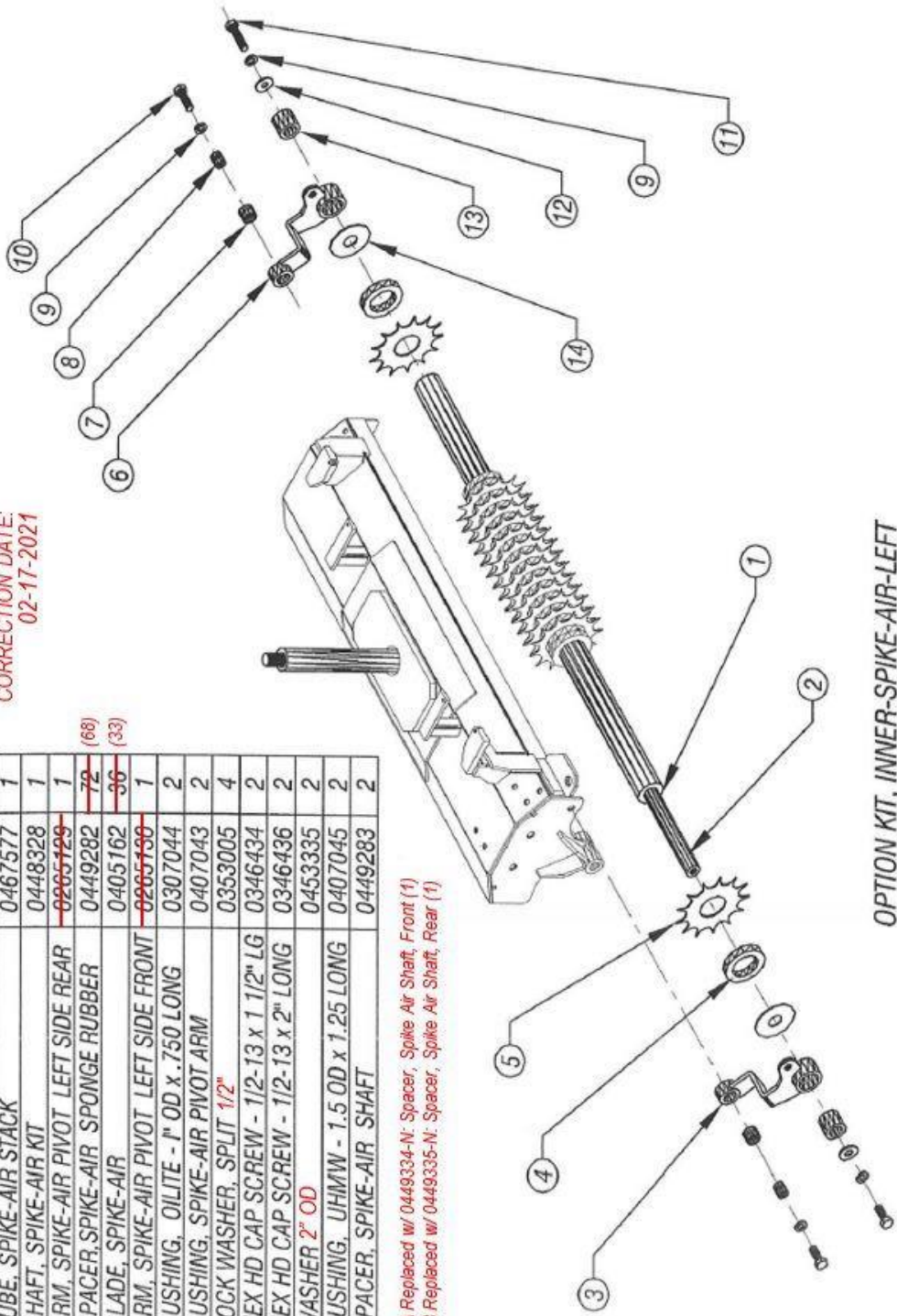
ITEM	DESCRIPTION	PART NO	QTY
1	TUBE, SPIKE-AIR STACK	0467577	1
2	SHAFT, SPIKE-AIR KIT	0448328	1
3	ARM, SPIKE-AIR PIVOT LEFT SIDE REAR	0265129	1
4	SPACER, SPIKE-AIR SPONGE RUBBER	0449282	72 (66)
5	BLADE, SPIKE-AIR	0405162	36 (33)
6	ARM, SPIKE-AIR PIVOT LEFT SIDE FRONT	0265130	1
7	BUSHING, OILITE - 1" OD x .750 LONG	0307044	2
8	BUSHING, SPIKE-AIR PIVOT ARM	0407043	2
9	LOCK WASHER, SPLIT 1/2"	0353005	4
10	HEX HD CAP SCREW - 1/2-13 x 1 1/2" LG	0346434	2
11	HEX HD CAP SCREW - 1/2-13 x 2" LONG	0346436	2
12	WASHER 2" OD	0453335	2
13	BUSHING, UHMW - 1.5 OD x 1.25 LONG	0407045	2
14	SPACER, SPIKE-AIR SHAFT	0449283	2

ISSUED: 05-06-2013
CORRECTION DATE: 02-17-2021

Replaced w/ 0265147-N

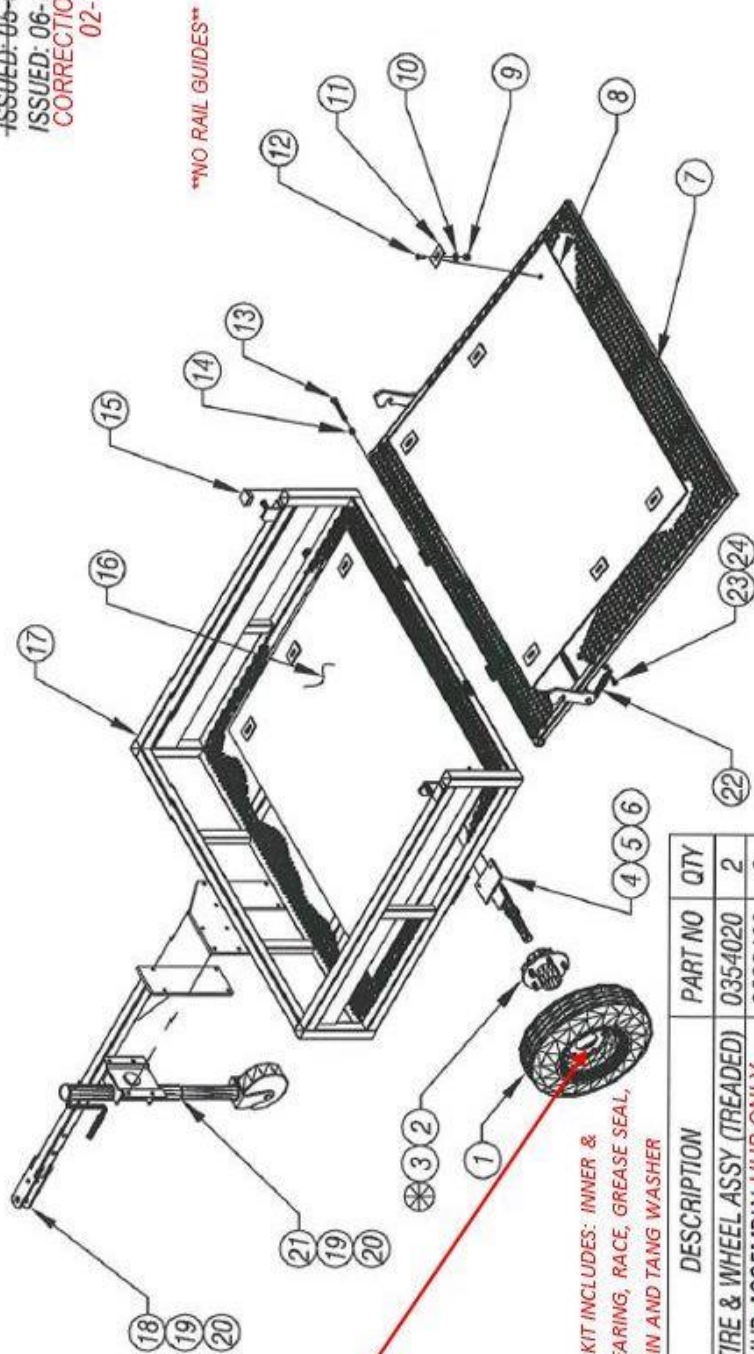
Replaced w/ 0265148-N

#14A Replaced w/ 0449334-N: Spacer, Spike Air Shaft, Front (1)
#14B Replaced w/ 0449335-N: Spacer, Spike Air Shaft, Rear (1)



OPTION KIT, INNER-SPIKE-AIR-LEFT
GAS GREENS ROLLER - MODEL HP5.5 - DWG #16
KIT PART #0161362-N

ISSUED: 05-06-2013
 ISSUED: 06-12-2013
 CORRECTION DATE: 02-17-2021



NO RAIL GUIDES

0371167-N: CAP, HUB, GGR

ADDITIONAL TREAD OPTION:
 0354156-N: TIRE & WHEEL ASSY
 (HORIZONTAL TREAD)

NOTE:
 BEARING KIT INCLUDES: INNER &
 OUTER BEARING, RACE, GREASE SEAL,
 COTTER PIN AND TANG WASHER

ITEM	DESCRIPTION	PART NO	QTY
1	TIRE & WHEEL ASSY (TREADED)	0354020	2
2	HUB ASSEMBLY HUB ONLY	0329100	2
3	BEARING KIT	0303069	2
4	AXLE	0202110	1
5	HEX HEAD SCREW	0346204	12
6	LOCK NUT	0338102	12
7	TAIL GATE	0219492	1
8	RUBBER MAT, (TAILGATE) 43x48	0356043	1
9	LOCK NUT, (NYLON INSERT)	0338101	12
10	FLAT WASHER	0353101	12
11	PLATE, HOLD DOWN RUBB. MAT	0462585	24
12	CARRIAGE BOLT	0346130	12
13	HEX SCREW	0346217	2

Replaced w/ 0303111-N

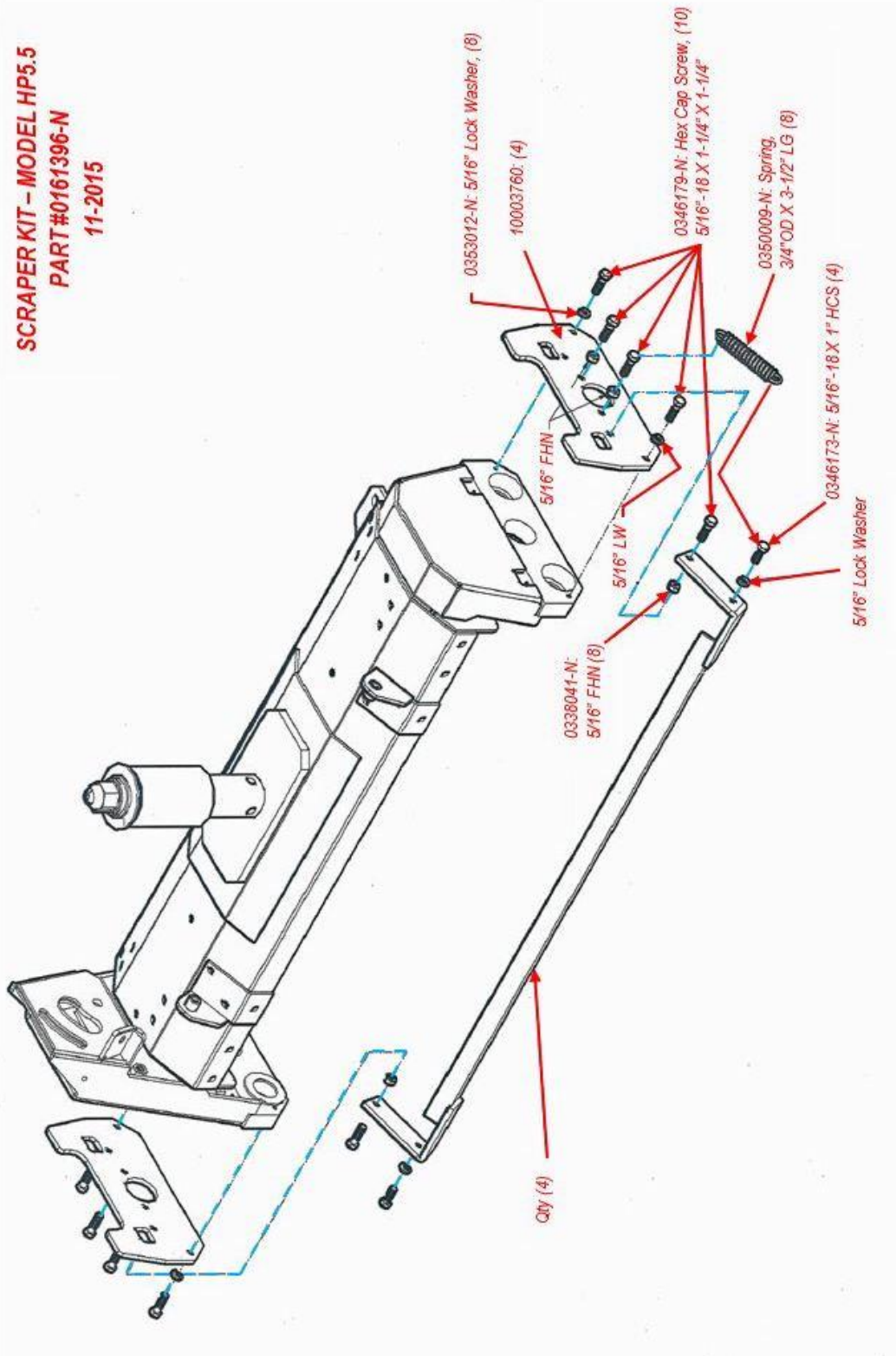
0009075 TRAILER ASSY
 FOR
 STANDARD ROLLER

GAS GREENS ROLLER #HP5.5
 DWG #17

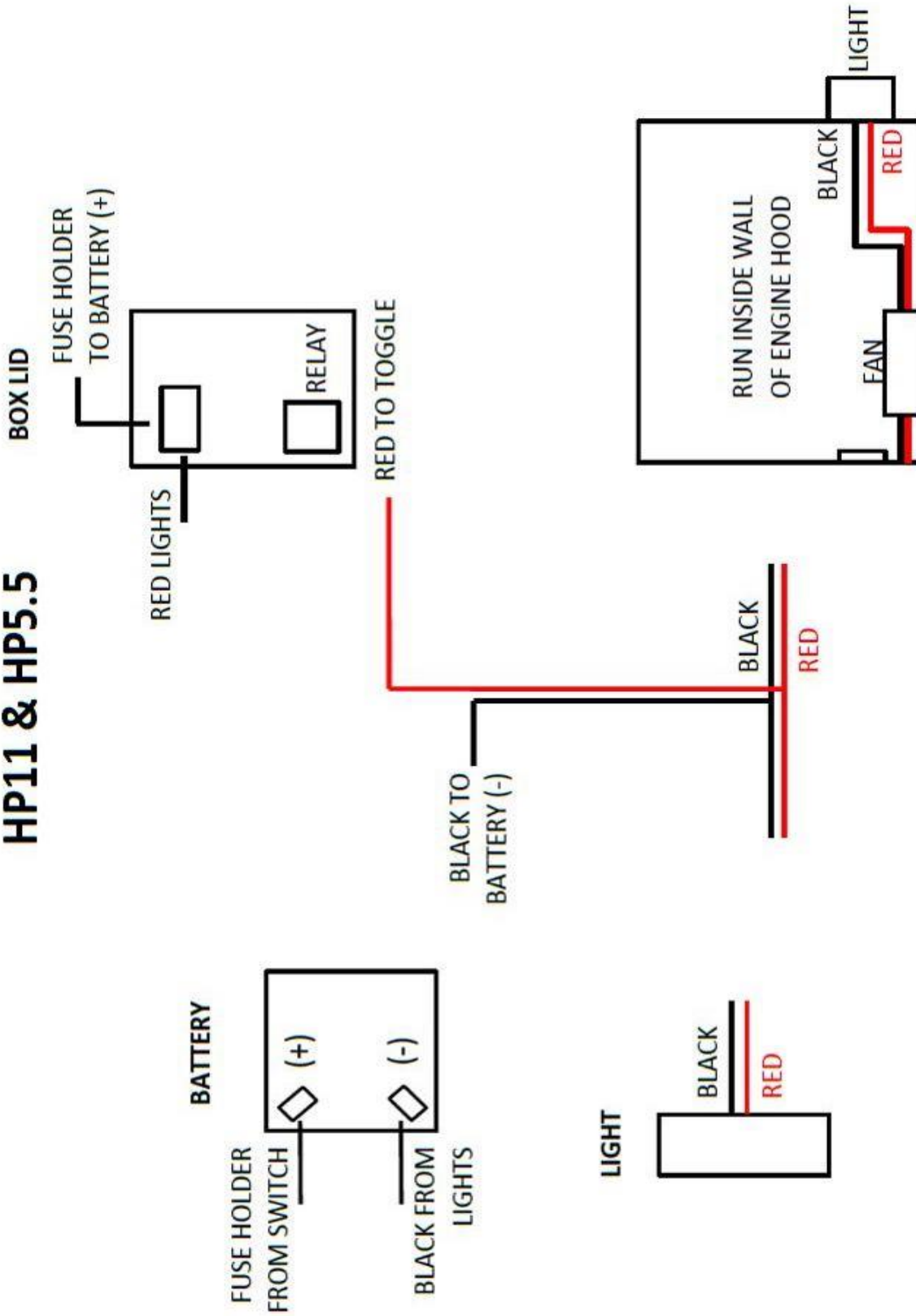
14	HEX NUT	0338012	2
15	CAP (PLASTIC)	0371001	4
16	RUBBER MAT, (TRAILER) 43x45	0356039	1
17	TRAILER FRAME	0219491	1
18	TONGUE	0225011	1
19	HEX HEAD SCREW	0346204	8
20	LOCK NUT, (NYLON INSERT)	0338102	8
21	JACK, SWIVEL- WITH CASTER	0369047	1
22	SPRING, EXTENSION	0350009	2
23	BOLT, HEX HD -1/4 -20x1 1/4 LG	0346072	2
24	JAM NUT - 1/4 - 20	0338039	2

CORRECTION DATE:
02-17-2021

SCRAPER KIT – MODEL HP5.5
PART #0161396-N
11-2015



HP11 & HP5.5

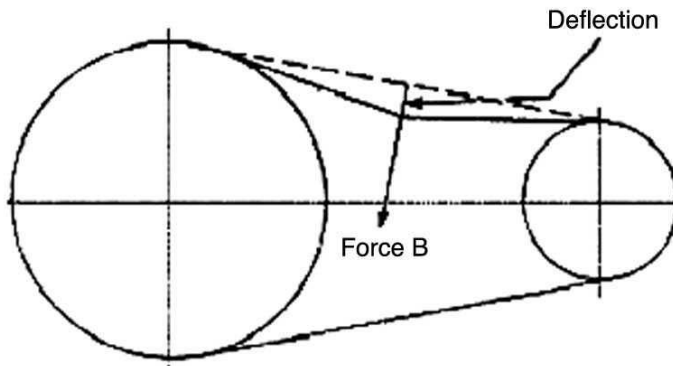


Below is a quick reference chart for various “Flat Head Cap Screws” and the torque recommendations.

VALUES ARE STATED IN FOOT POUNDS

BOLT SIZE	Thds Per Inch	SAE Grade 5	SAE Grade 8
1/4	20	10	14
	28	---	---
5/16	18	19	29
	24	---	---
3/8	16	33	47
	24	---	---
7/16	14	54	78
	20	---	---
1/2	13	78	119
	20	---	---
9/16	12	114	169
	18	---	---
5/8	11	154	230
	11	---	---
3/4	10	257	380
	10	---	---
7/8	9	382	600
	9	---	---
1	8	587	700
	8	---	---

Drive Belt Tension Measurement by Deflection



Deflection should be 3/8" when 8-12 lbs. push is applied at "B"

