

**Quality of Workmanship
Innovative Design
Built to Last!**

Salsco, INC.
LEADER BY DESIGN



HP11 ROLLER - 09071 Operators And Parts Manual



MANUFACTURER OF OUTDOOR POWER EQUIPMENT

Products for Turf & Lawn care, Rental, Construction, Tree Care, Wood Processing, Nursery & Farm Industries

3-1/2" - 18" Capacity, Gas, Diesel, & PTO Wood/Brush Chippers - Slab Chippers
Gas, Electric & Tow Behind Rollers - Tranz-Former Roller - CRV Core Recovery Vehicle
Mini-Paver - Mini-Track Paver - Cobra Curbers - Scorpion Router - Concrete Paver
Chipper Shredder Vacuums - Tailgate & Truckloader Vacuums
9 cu. yds. - 50 cu. yds. Per Hour, Electric, PTO & Diesel Powered Shaving Mills

Salsco, INC.
LEADER BY DESIGN

105 Schoolhouse Road
Cheshire, CT 06410 U.S.A.
800-872-5726 (Toll Free), 203-271-1682, 203-271-2596 (Fax)
www.salsco.com, sales@salsco.com

TABLE OF CONTENTS

MODEL HP11, GAS GREENS ROLLER

COVER & TABLE OF CONTENTS.....	Pages 1–2
STATEMENT OF FACT.....	Page 3
SPECIFICATIONS & FEATURES.....	Page 4
SAFETY & OPERATING INSTRUCTIONS.....	Page 5
SERVICE & MAINTENANCE INSTRUCTIONS.....	Page 6
PARTS DIAGRAMS.....	Pages 7–25
CROSS CONTAMINATION PREVENTION KIT OPTION.....	Pages 22-23
WIRING DIAGRAM.....	Page 25
TORQUE CHART.....	Page 26
SERVICE INTERVAL SCHEDULE.....	Page 27
SERVICE SCHEDULE LOG.....	Page 28

SALSCO, INC.
105 Schoolhouse Road
Cheshire, CT 06410
800-873-5726, 203-271-1682
203-271-2596 (Fax)
www.salsco.com, sales@salsco.com

STATEMENT OF FACT

You have just purchased the highest quality, most maneuverable, dependable, **GREENS ROLLER** on the market today. This unit has the ability to meet exact standards and perform for years with minimum downtime. HOWEVER, it cannot read nor will it understand this manual no matter how long you leave it on top of the machine.

It is your responsibility to read and understand this manual; it is also your responsibility to be certain this information is passed along to anyone who is expected to operate this equipment. Should you choose not to read, understand and pass along the information provided you, please expect equipment failure and possible injuries to persons around this equipment.

For the safety of the operator, it is **imperative** that this manual is carefully read and understood.

Once you have read this manual, it is your responsibility to be sure that all new operators read and understand this manual, especially all cautions stated.

As a manufacturer of equipment, we have a responsibility to design a safe piece of equipment. NOTE: The important safeguards and instructions in this manual are not meant to cover all possible conditions and situations that may occur. It must be understood that common sense, caution, and care are factors, which cannot be built into any product. These factors must be supplied by the person(s) caring for and operating this equipment.

ONLY YOU CAN PREVENT ACCIDENTS!!

SPECIFICATIONS AND FEATURES **GAS GREENS ROLLER – MODEL HP11**

The Salsco Greens Roller is actually a multi-purpose tool, which, in a short time, has become a must-have for many golf courses. Our unit can be used on GREENS, WET OR DRY, and will increase speed an average of 1-2 feet. However, that's only part of the story. We can ROLL SOD, CLAY TENNIS COURTS, CART PATHS, SUB BASE FOR NEW GREENS CONSTRUCTION, WET GREENS, WET SPOTS ON FAIRWAYS, etc., etc. Because of traction and maneuverability this machine is ready and able when you are.

Drive System

A 13HP Honda Engine, electric start, powers this unit. Power is delivered to a Hydrostatic Pump through a love-joy coupling. Fluid power is then transmitted through 2,500 P.S.I. (10,000-lb. burst) hoses to drive motors. Drive motors change fluid power to mechanical power and transmit it through #50 chain to the rolls. We drive both 10-3/4" diameter rolls. This gives us the best traction in the roller business. Compaction is not an issue at 5.4 P.S.I. (a 200 lb. person = 12.5 P.S.I.)

Compaction is Never a Problem

5.4 P.S.I. puts compaction at the lowest possible level. We want to smooth out the surface, not change it or compact it. Both rollers can be filled with water which will add approximately 128 lbs. and 1.4 P.S.I. to the already 5.4 P.S.I. = 6.8 P.S.I. for rolling out frost heaves, tees or after verti-draining.

The Salsco Roller is very user friendly, with automotive type steering and smooth pedal controls. Operators spend very little time getting comfortable with this machine, usually before the first green is done.

The Salsco Greens Roller comes standard with its own trailer. When not in use with the Greens Roller, it can be used for many other tasks. An example would be for transporting greens mowers from green to green.

03/2011

SAFETY INSTRUCTIONS

1. **NEVER** leave unit running while unattended.
2. **NEVER** park on a green for any reason.
3. **NEVER** go down steep hills sideways. **ALWAYS** approach hills straight on.
4. **NEVER** change your mind mid-way down a steep incline. Once you've started down a steep incline, change direction only with the greatest of care and gentlest touch.
5. Allow engine to cool for several minutes before filling with fuel, since fuel tank is over the engine.

NOTE: HONDA ENGINES - ALWAYS TURN OFF THE FUEL SHUTOFF, WHEN THE ENGINE IS NOT RUNNING, i.e. WHEN IN TRANSPORT, STORAGE, ETC.

OPERATING INSTRUCTIONS

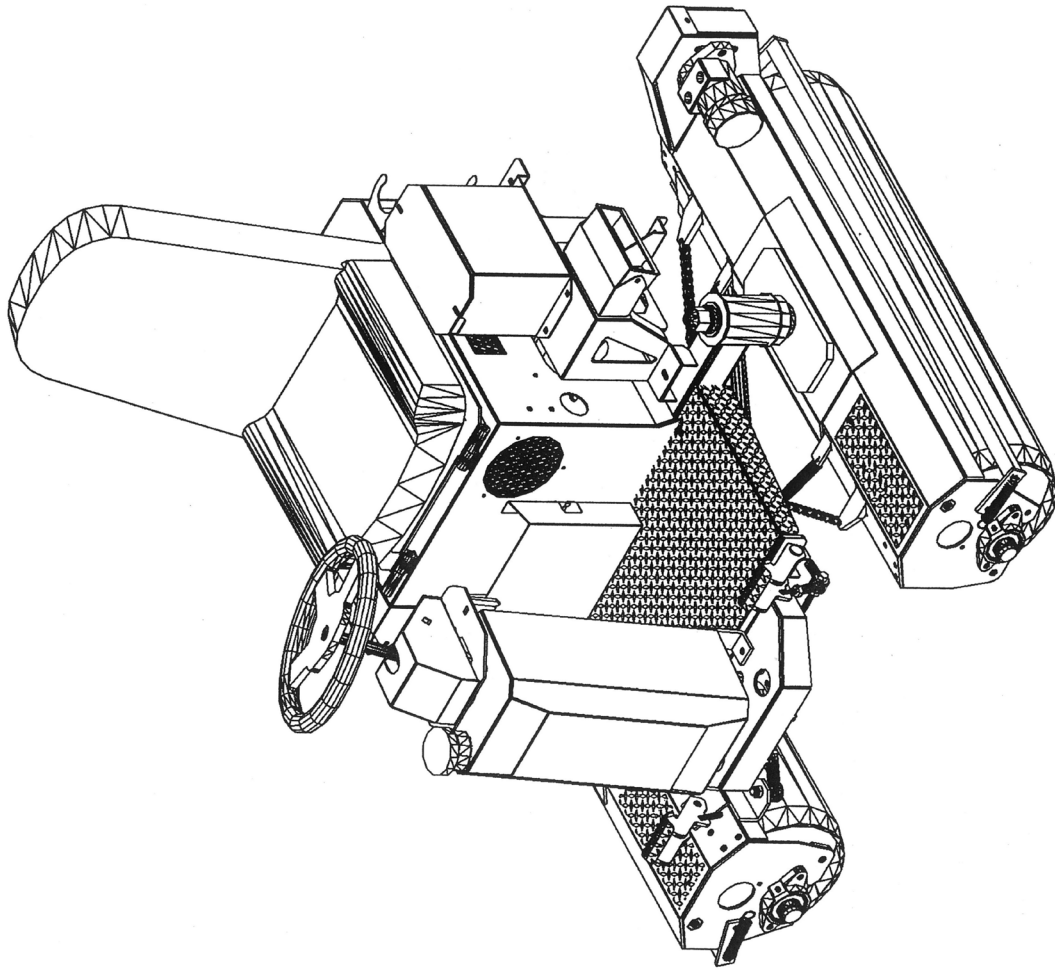
1. Check that the unit has been serviced and all fluids are checked and topped off.
2. Check all hydraulic hose fittings.
3. Push fuel shut off switch to on position.
4. Push choke to full on position
5. Push throttle to just above idle.
6. Turn on/off switch to on position.
7. You should start engine from seat position. Just reach down to engine controls. Keep feet off pedals. Hydrostatic drive should come to neutral when engine starts.
8. Pull rope and engine will come to life. Hydrostatic transmission should come to neutral when engine is started. **REMEMBER: RIGHT PEDAL TO GO RIGHT, LEFT PEDAL TO GO LEFT.**
9. Slide choke to full off position.
10. Once unit is running at just above idle, push pedal down slowly. Unit will begin to move. Drive it out of trailer on to grass area.
11. Since the unit is hydrostatic, engine should run at full R.P.M. and speed should be controlled by pressure on the pedal.

SERVICE & MAINTENANCE INSTRUCTIONS

1. Check all hydraulic hoses **DAILY, or before each scheduled use**, for wear and any signs of chaffing. **REMINDER:** Drive motor hoses should be treated as wear items and should be replaced on a yearly basis.
2. Check all fittings for any signs of leaking **DAILY, or before each scheduled use**.
3. Check all grease fittings as listed below on a **WEEKLY** basis, and grease as necessary. (Add grease till grease leaks slightly from fitting.)
 - ◆ Bearings on roll housings - Quantity 4
 - ◆ Pivot bearing on main housing - Quantity 2
 - ◆ U-Joint on steering shaft - Quantity 1
4. Check engine to manufacturers specifications and maintenance. **THIS ENGINE HAS AN OIL SHUT OFF SWITCH. CHECK OIL LEVEL FREQUENTLY AS THE UNIT WILL STALL ON INCLINES IF OIL LEVEL IS LOW.**
5. Fill hydraulic tank to 4-6" below filler cap. Be sure to tighten cap till cap seals.
6. After approximately **1 WEEK** of use, **and then every 2 WEEKS thereafter**, check drive chains - one on each side on roller drive motor. Pivot motor to tighten chain. **NOTE: Check and adjust the tension of both drive motor chains on a regular basis. If chains are not tight, this could cause severe sprocket wear and possible breakage.**
7. After approximately **1 WEEK** of use, **and then every 2 WEEKS thereafter**, check chains on steering. Adjust as needed.
8. Pivot for articulating steering should be tight, **with no play**, much the same as wheel bearings on cars.
9. **Keep unit clean.** Should rust form on rolls, simply drive the unit on a rough area till rolls are clean.
10. **Oil & Filter Type** - It has been determined that your Salsco machine will perform better by using a 25 micron filter. Salsco recommends using Mobil DTE 26 or Citgo HYD 68, non-detergent hydraulic oil, or their equivalents. The oil should have a viscosity rating of at least 100 SSU. While this is not a necessity, it will improve the overall performance of your machine. Salsco is now using this filter and hydraulic oil on all our machines using hydraulics.

SAFETY IS A PRIME CONCERN AT SALSCO AND THE SAFETY DECALS ON YOUR MACHINE ARE A HIGHLY VISIBLE AND CONSTANT REMINDER TO ALL OPERATORS. REPLACEMENT SAFETY DECALS MAY BE OBTAINED BY CALLING SALSCO @ 1-800-872-5726, OR THE DEALER IN YOUR AREA.

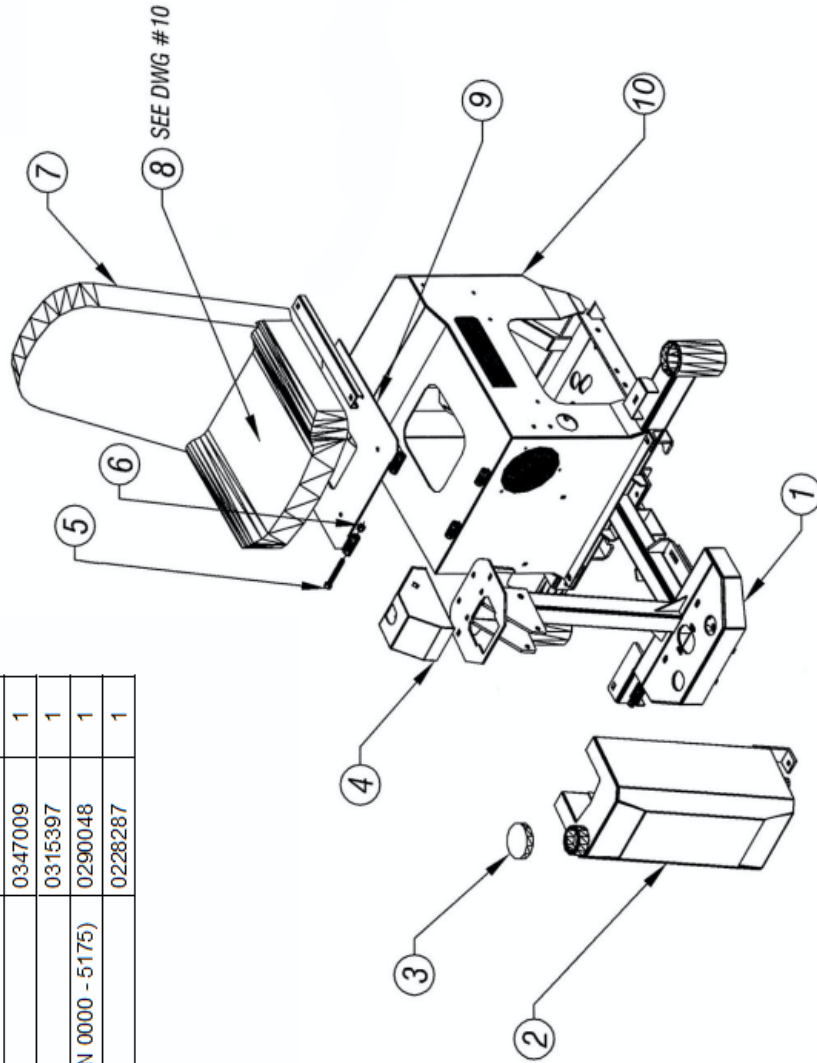
ISSUED: 02-21-2011



GAS GREENS ROLLER HP 11 - DWG #1

ITEM	DESCRIPTION	PART NO.	QTY.
1	FRAME, BASE	0219488	1
2	HYDRAULIC TANK	0252108	1
3	HYDRAULIC TANK CAP WITH DIPSTICK	0371061	1
4	BOX, TILT STEERING	0280064	1
5	HEX CAP SCREW (3/8-16 X 4-3/4" LONG)	0346628	2
6	NYLON LOCK NUT (3/8-16)	0338102	2
7	SEAT	0347009	1
8	SEAT SWITCH (ENGINE KILL)	0315397	1
9	MOUNTING PLATE (Required for S/N 0000 - 5175)	0290048	1
10	HOUSING, ENGINE	0228287	1

ISSUED:	02-24-2011
	10-25-2013
	09-18-2020
	06-01-2023



GAS GREENS ROLLER HP 11 - DWG #2

ITEM	DESCRIPTION	PART NO.	QTY.
13	MASTER LINK #50	0300008	2
14	SPROCKET, ROLL DRIVE MOTOR	0251194	2
15	GUARD, ROLL DRIVE CHAIN - LT	0421620	1
16	SPACER, HYDRAULIC MOTOR	0449050	4
17	MOTOR, HYDRAULIC (ROLL DRIVE)	0330139	2
18	CONE BEARING	0303089	4
19	WASHER, FLAT 1-9/16" X 3-1/2" X 1/8"	0453117	4
20	JAM NUT 7/8"-14	0338060	2
21	CAP. LUG NUT	0338405	2
22	WASHER, FLAT 3/4" USS GR 8	0333106	2
23	O-RING, 3" ID X 3-3/8" X 3/16"	0343003	4
24	BEARING CUP	0303090	4

ITEM	DESCRIPTION	PART NO.	QTY.
1	FRAME	0219488	1
2	HOUSING, LEFT ROLL WPIN	SEE NOTES	1
3	HOUSING, RIGHT ROLL WPIN	SEE NOTES	1
4	HOUSING, OSCILLATOR	0228164	1
5	PLUG, 3/4 NPT	0317072	2
6	SHAFT/ROLL (1-1/4" SHAFT)	0248320	2
7	GUARD, ROLL DRIVE CHAIN - RT	0421645	1
8	SPROCKET, ROLL 32 TOOTH - SN 3377 & UP (1-1/4" SHAFT)	0351212	2
9	SPROCKET, ROLL SN 0000-3376 (1" SHAFT)	0251203	2
10	BUSHING, TAPER LOCK	0351213	2
11	SPACER, 2-BOLT BEARING FLANGE	0449810	4
12	BEARING, 2-BOLT FLANGE	0303083	4
12	CHAIN, ROLL DRIVE #50, 55 PITCH	0309027	2

NOTES:

ITEM #2 - HOUSING, LEFT ROLL.

- USE PART# 0228289 ON UNITS BUILT BEFORE 3/30/2014
 - USE PART# 0228330 ON UNITS BUILT AFTER 3/30/2014 UP TO S/N 7562
 - USE PART# 0228375 ON UNITS WITH S/N 7562 AND UP
- ITEM #3 - HOUSING, RIGHT ROLL.**
- USE PART# 0228288 ON UNITS BUILT BEFORE 3/30/2014
 - USE PART# 0228329 ON UNITS BUILT AFTER 3/30/2014 UP TO S/N 7562
 - USE PART# 0228378 0 UNITS WITH S/N 7562 AND UP

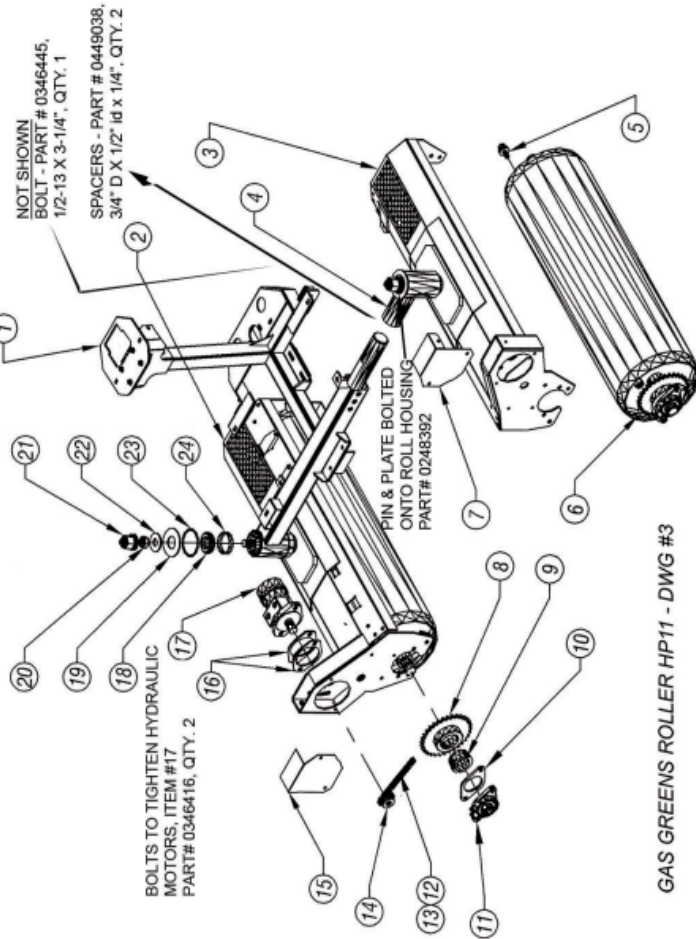
ITEM #17 - HARDWARE TO MOUNT MOTOR.

- BOLT, PART# 0346436, 1/2"-13 X 2", QTY. 2
- SAE 1/2" FLAT WASHER, PART# 0353115, QTY. 2
- NYLON NUT 1/2"-13, PART# 0338104, QTY. 2

ITEM #15 - HARDWARE TO MOUNT GUARD

- HEX CAP SCREW, 1/4"-20 X 3/4", PART# 0346070, QTY. 2
- LOCK WASHER, 1/4", PART# 0353011, QTY. 2
- SAE 1/4" FLAT WASHER, PART # 0353121, QTY. 2

ITEMS #7 AND #15 ARE ONLY USED ON ROLLERS WITHOUT THE OPTIONAL INNER SPIKE-AIR KIT, PART# 0161335



ISSUED;	
02-21-2011	
02-07-2012	
05-03-2012	
01-11-2013	
09-18-2020	
06-01-2023	

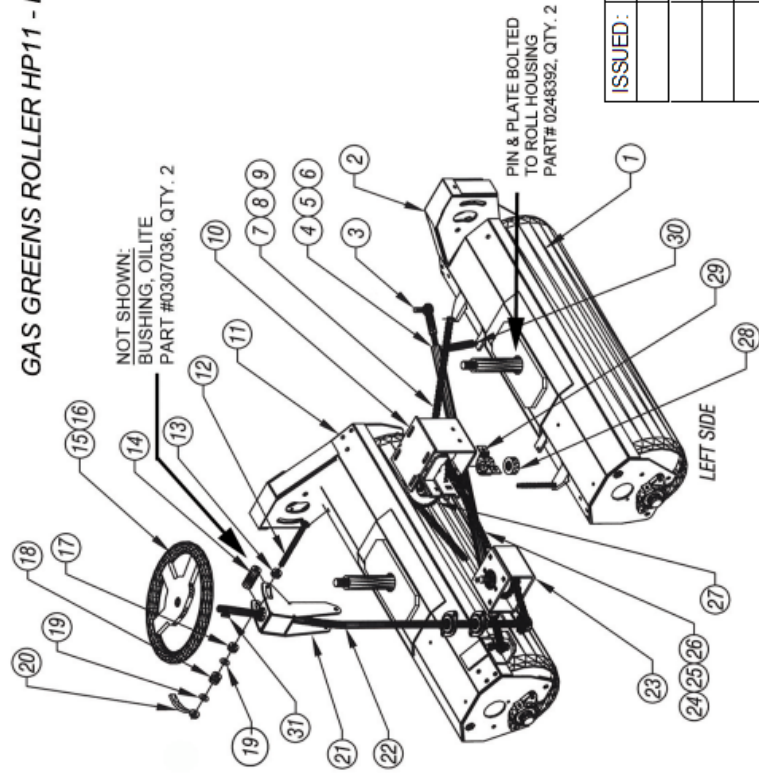
ITEM	DESCRIPTION	PART NO.	QTY.
1	SHAFTROLL, 1-1/4"	0248320	2
2	HOUSING, ROLL-LEFT	SEE NOTES	1
3	ROD END (5/8-18)	0309087	2
4	TIE ROD (5/8-18)	0245190	2
5	JAM NUT, (5/8-18)	0338061	2
6	NYLON LOCK NUT (5/8-18)	0338110	2
7	ROLLER CHAIN, #50 61 PITCH (CROSSOVER CHAIN)	0309087	1
8	MASTER LINK #50	0309008	4
9	HALF LINK #50	0309022	1
10	BRACKET, STEERING SPROCKET	0288042	1
11	HOUSING, ROLL-RIGHT	SEE NOTES	1
12	CARRIAGE BOLT, 1/2-13 X 6"	0346469	1
13	TUBE, HANDLE LEVER LOCKING	0467576	1
14	DOM TUBE-1" OD X 1/4" WALL X 2-1/2" LONG	STOCK	1
15	STEERING WHEEL	0354142	1
16	CAP, STEERING WHEEL	0354143	1
17	DOM TUBE-1" OD X 1/4" WALL X 1/2" LONG	STOCK	1
18	DOM TUBE-1" OD X 1/4" WALL X 1-1/4" LONG	STOCK	1
19	WASHER, FLAT - UHMW	0353333	2
20	EASY GRIP HANDLE - (1/2-13)	0323142	1
21	ARM, TILT WHEEL STEERING PIVOT	0165121	1
22	SHAFT, MAIN FRAME STEERING	0248404	1
23	BOX, STEERING REDUCTION	0288065	1
24	ROLLER CHAIN, #40, 77 PITCH "STEERING CHAIN, 1 of 2"	0309088	1
25	MASTER LINK #40	0309006	1
26	HALF LINK, #40	0309019	1
27	SPROCKET & SHAFT	0251060	1
28	BEARING INSERT - 3/4" ID	0303023	2
29	FLANGETTE PILLOW BLOCK	0303024	2
30	EXTENSION SPRING	0350009	2
31	KEY -3/16 X 3/16 X 7/8 LONG	0431003	1

NOTES:

- ITEM #2 - HOUSING, LEFT ROLL
- USE PART# 0228289 ON UNITS BUILT BEFORE 3/30/2014
 - USE PART# 0228330 ON UNITS BUILT AFTER 3/30/2014 UP TO SN 7562
 - USE PART# 0228375 ON UNITS WITH SN 7562 AND UP
- ITEM #11 - HOUSING, RIGHT ROLL
- USE PART# 0228288 ON UNITS BUILT BEFORE 3/30/2014
 - USE PART# 0228329 ON UNITS BUILT AFTER 3/30/2014 UP TO SN 7562
 - USE PART# 0228378 ON UNITS WITH SN 7562 AND UP

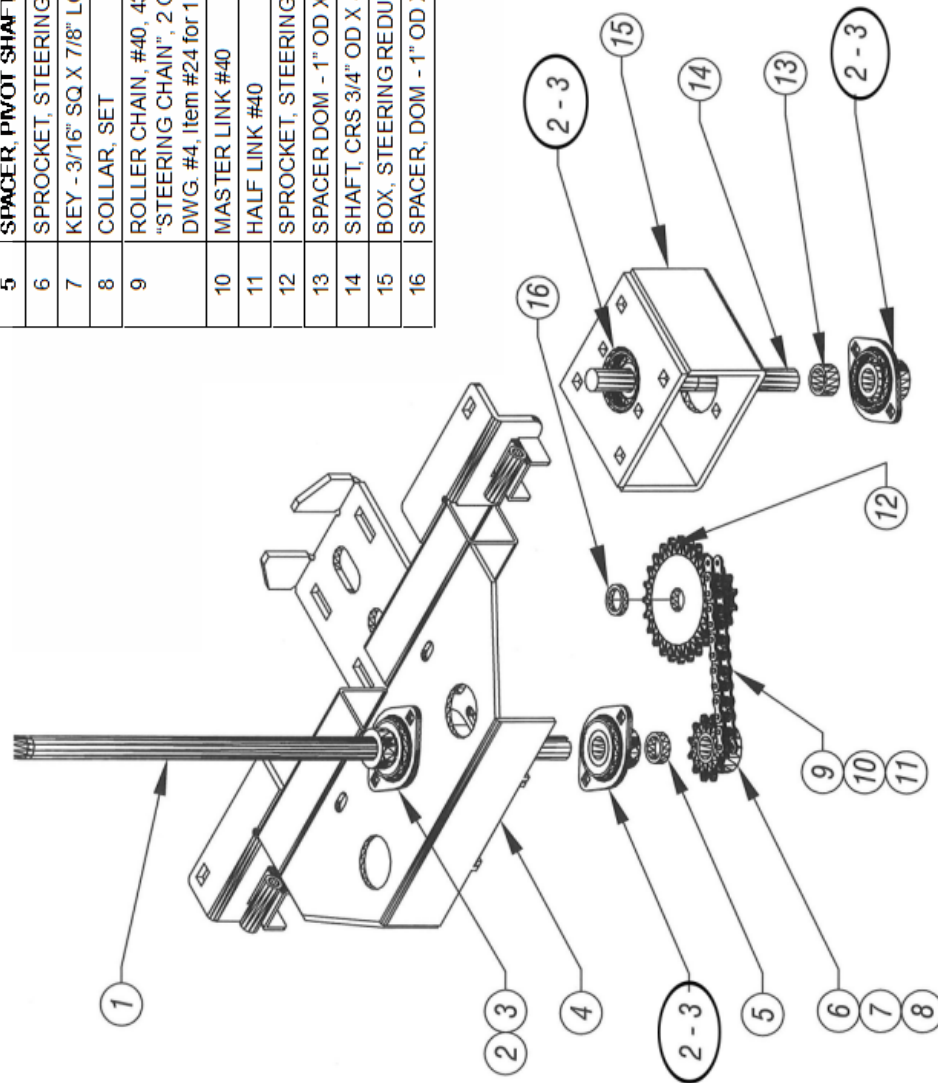
ITEM # 24 - STEERING CHAIN 1 of 2 SEE DWG.#5, ITEM #9 FOR STEERING CHAIN 2 of 2.

GAS GREENS ROLLER HP11 - DWG #4



ISSUED:	02-21-2011
	04-14-2011
	01-11-2013
	10-17-2013
	09-18-2020
	06-01-2023

ITEM	DESCRIPTION	PART NO.	QTY.
1	SHAFT, MAIN FRAME STEERING	0248404	1
2	BEARING INSERT	0303023	4
3	FLANGETTE	0303005	4
4	FRAME	0219488	1
5	SPACER, PIVOT SHAFT	0449286	1
6	SPROCKET, STEERING SHAFT	0351003	1
7	KEY - 3/16" SQ X 7/8" LONG	0431003	1
8	COLLAR, SET	0311006	1
9	ROLLER CHAIN, #40, 43 PITCH "STEERING CHAIN", 2 OF 2 (Note: See DWG. #4, Item #24 for 1 of 2)	0309089	1
10	MASTER LINK #40	0309006	1
11	HALF LINK #40	0309019	1
12	SPROCKET, STEERING REDUCTION	0251215	1
13	SPACER DOM - 1" OD X .12 WALL X 1/2	STOCK	1
14	SHAFT, CRS 3/4" OD X 4.56" LONG	STOCK	1
15	BOX, STEERING REDUCTION	0280065	1
16	SPACER, DOM - 1" OD X .12 WALL X 3/16	STOCK	1

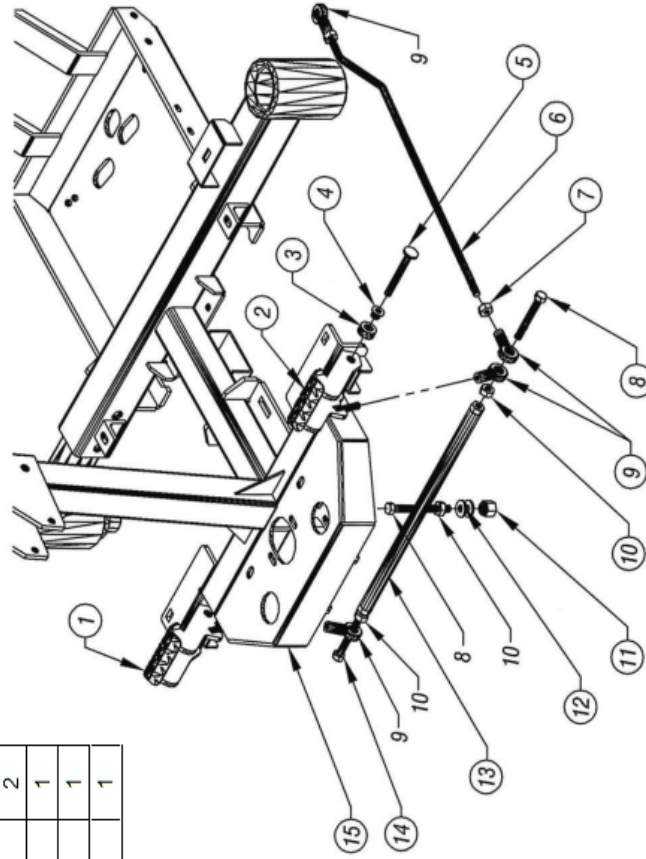


ISSUED:	02-21-2011
	04-14-2011
	12-09-2011
	11-07-2019
	09-18-2020
	06-01-2023

GAS GREENS ROLLER HP 11 - DWG #5

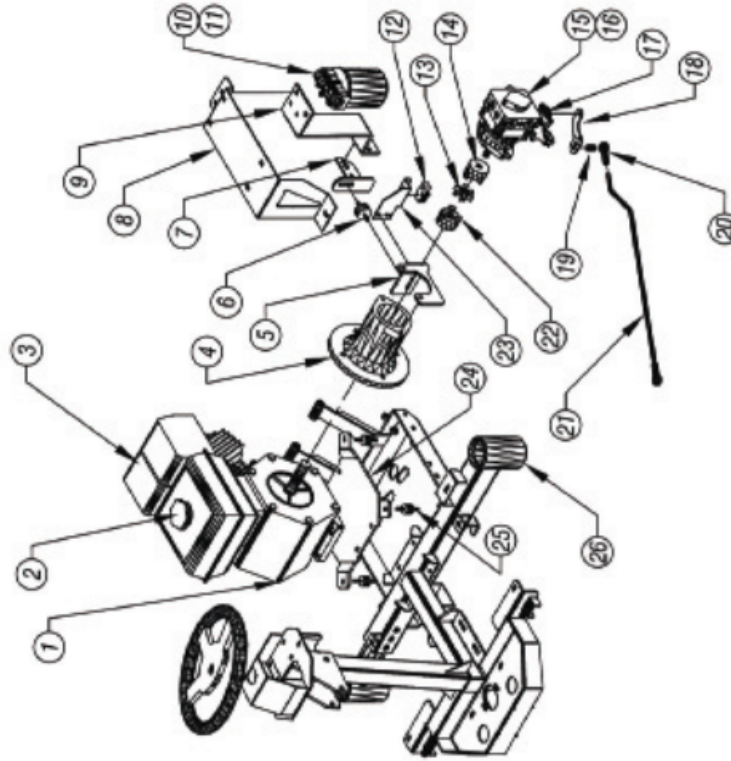
ISSUED:	02-24-2011
	11-07-2013
	09-18-2020
	06-01-2023

ITEM	DESCRIPTION	PART NO.	QTY.
1	PEDAL, FOOT-RIGHT	0268028	1
2	PEDAL, FOOT-LEFT	0268029	1
3	COLLAR, SET	0311031	2
4	BUSHING, FLANGED, OILITE	0303020	4
5	PIN, FOOT PEDAL PIVOT	0240143	2
6	ROD, FORWARD/REVERSE	0445172	1
7	JAM NUT, 3/8-24	0338050	2
8	SCREW, HEX HEAD	0346254	2
9	ROD END	0303019	4
10	JAM NUT, 3/8-16	0338052	3
11	LOCK NUT, NYLON INSERT	0338102	1
12	FLAT WASHER	0353111	2
13	TUBE, STEERING	0267412	1
14	SCREW, HEX HEAD	0346264	1
15	FRAME, BASE	0219439	1



GAS GREENS ROLLER HP 11 - DWG #6

ISSUED:	02-24-2011
	02-26-2013
	11-07-2013
	09-18-2020
	06-01-2023

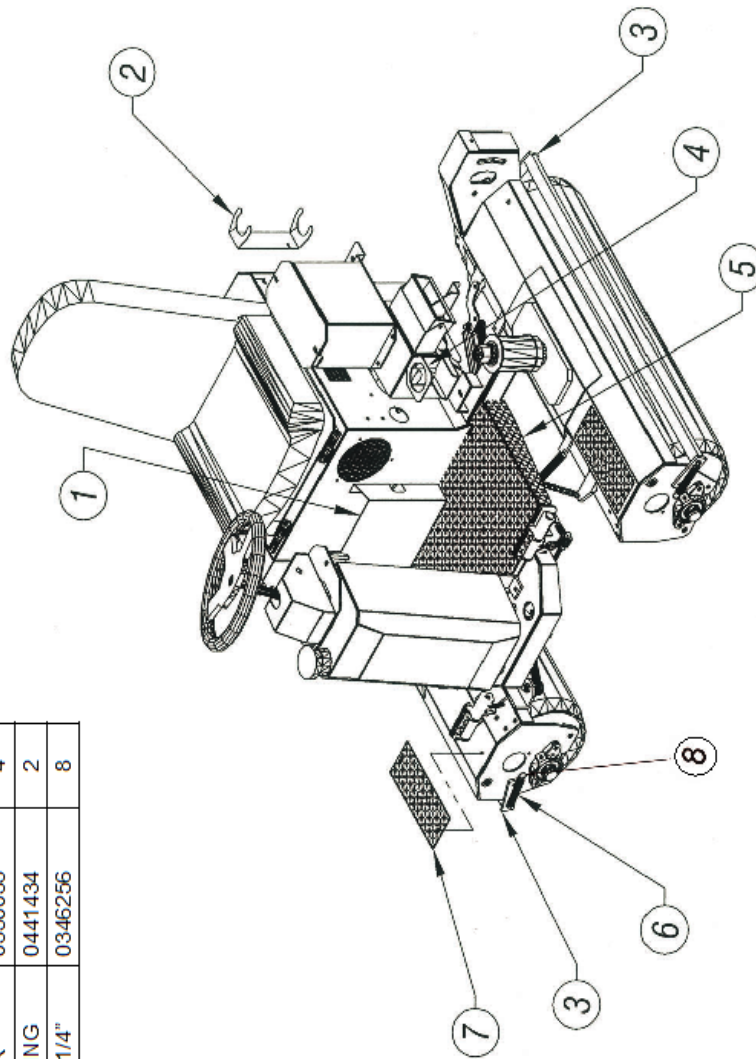


ITEM	DESCRIPTION	PART NO.	QTY.
1	ENGINE, 13HP HONDA	0337033	1
2	GAS CAP, HONDA	0371495	1
3	FUEL SCREEN FILTER	0318048	1
4	BELL HOUSING	0328059	1
5	SUPPORT, HYDRAULIC PUMP	0477231	1
6	RUBBER MOUNT, VIBRATION DAMPING	0376250	1
7	BRACKET, VIBRATION DAMPING	0406877	1
8	MOUNT, BATTERY BOX	0276771	1
9	BRACKET, OIL FILTER	0288045	1
10	HYDRAULIC FILTER & HOUSING	0318022	1
11	HYDRAULIC FILTER, ELEMENT ONLY	0318023	1
12	SWITCH, SNAP ACTION (NEUTRAL)	0315375	1
13	SPIDER COUPLING	0313004	1
14	HUB, 17mm BORE	0313081	1
15	HYDRAULIC PUMP	0330218	1
16	SEAL KIT, HYDRAULIC PUMP	0330222	1
17	LINKAGE, RETURN TO NEUTRAL	0330223	1
18	LEVER, HYDRAULIC PUMP EXTENDED (SN 1589 AND UP)	0433209	1
18	LEVER, HYDRAULIC PUMP EXTENDED (SN 0000 - 1588)	0233018	1
19	SPACER, STEEL, 3/8 ID X 5/8 O.D X 11/16	STOCK	1
20	ROD END	0303019	2
21	ROD, FORWARD REVERSE	0445172	1
22	HUB, 1" BORE - LOVEJOY COUPLER	313003	1
23	BRACKET, SWITCH MOUNTING (NEUTRAL)	0480446	1
24	PLATE, ENGINE MOUNT	0462462	1
25	RUBBER MOUNT	0376319	4
26	FRAME, BASE	0219488	1

GAS GREENS ROLLER HP11 - DWG #7

ISSUED:	02-21-2011
	09-18-2020
	06-01-2023

ITEM	DESCRIPTION	PART NO.	QTY.
1	HOLDER, CLIPBOARD	0481053	1
2	HOLDER, MANUAL TUBE	0381057	1
3	SCRAPER, ROLL	0255154	2
4	HOLDER, CAN	0481046	1
5	PLATE, DIAMOND-FLOOR	0441448	1
6	SPRINT, EXTENSION-SCRAPER	0350033	4
7	PLATE, DIAMOND-ROLL HOUSING	0441434	2
8	BOLT, BUTTON HEAD, 3/8" X 1-1/4"	0346256	8



GAS GREENS ROLLER HP 11 - DWG #8

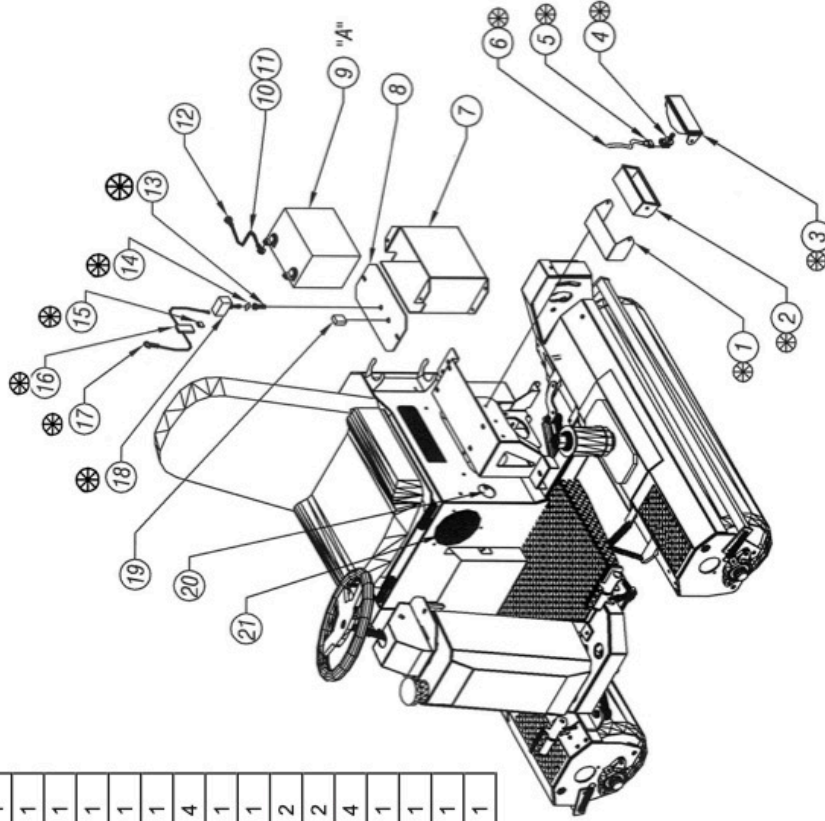
ISSUED:	02-24-2011
REVISED:	4-27-2011
	01-26-2012
	06-17-2012
	11-07-2013
	08-18-2020
	06-01-2023

ITEM	DESCRIPTION	PART NO.	QTY.
1	BRACKET, HEADLIGHT BOX PIVOT (Not LED)	0488048	2
1	BRACKET, HEADLIGHT BOX PIVOT, (LED)	0488153	2
2	HEADLIGHT BOX	0280066	2
3	HEADLIGHT/LENS	0315413	2
4	BUB HEADLIGHT (STRAIGHT)	0315138	2
5	PIGTAIL, HEADLIGHT FOR 90° BULB	0315137	2
	90° BULB	0315316	2
6	LOOM, SPLIT - 3/8" DIAMETER	STOCK	1
7	BATTERY BOX	0280053	1
8	COVER, BATTERY BOX	0280053	1
9 "A"	BATTERY 12V (Not Available After Market)	0336008	1
10	BATTERY CABLE - 6GA. BLACK (Bulk)	0315066	1
11	BATTERY CABLE - 6GA. RED (Bulk)	0315121	1
12	CONNECTOR, BATTERY WIRE	0315083	4
13	BOOT, TOGGLE	0315145	1
14	PLATE, ON/OFF	0315155	1
15	FUSE, (IN LINE)	0315168	2
16	HOLDER, FUSE	0315167	2
17	TERMINAL RING	0315260	4
18	SWITCH TOGGLE - HEADLIGHTS	0315143	1
19	RELAY	0315409	1
20	HOUR METER	0315369	1
21	DC ELECTIR FAN (See Note)	0315370	1



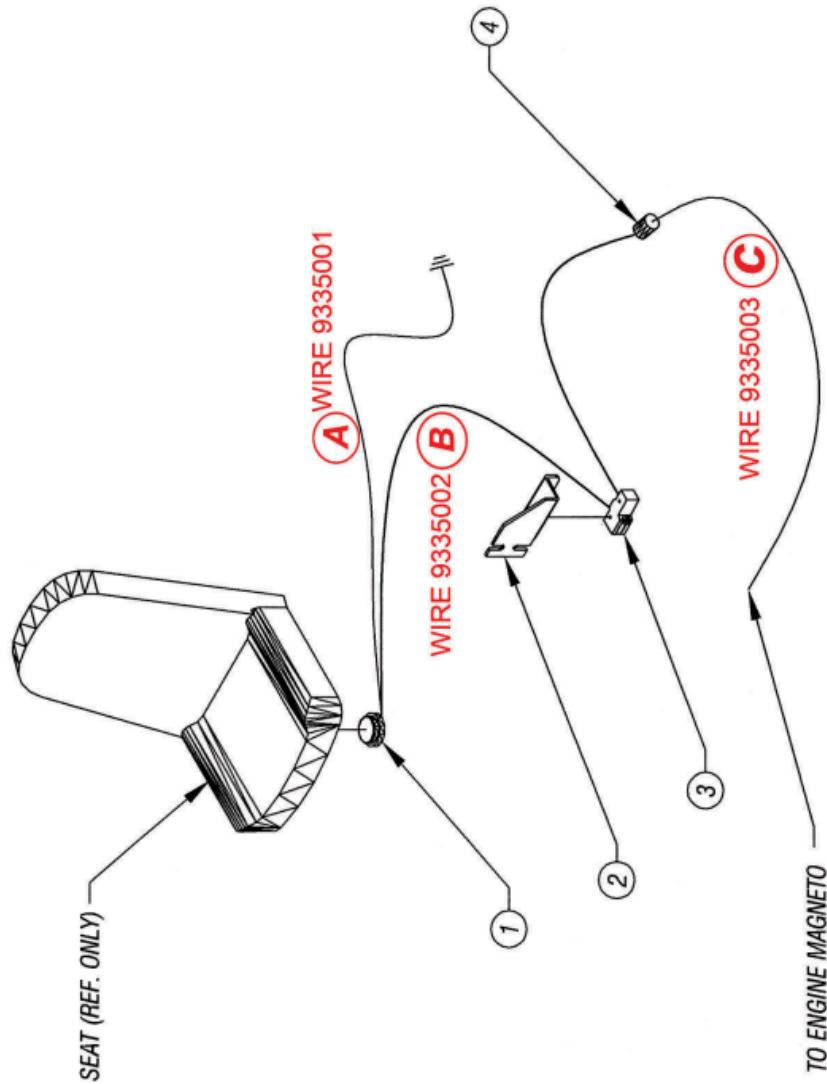
ITEMS #1 THROUGH #6 AND ITEMS #13 THROUGH #18 ARE PARTS OF OPTIONAL LIGHT KIT #0161335

NOTE, ITEM 21:
When ordering Cooling Fan, part # 0315370, must upgrade the Rocker Switch part # 0315390, to the Relay part # 0315409.



GAS GREENS ROLLER HP 11 - DWG #9

ITEM	DESCRIPTION	PART NO.	QTY.
1	SEAT SWITCH (ENGINE KILL)	0315397	1
2	BRACKET, SWITCH MOUNTING (NEUTRAL)	0488046	1
3	SWITCH, SNAP ACTION (NEUTRAL)	0315375	1
4	DISCONNECT, TERMINAL	0315354	1

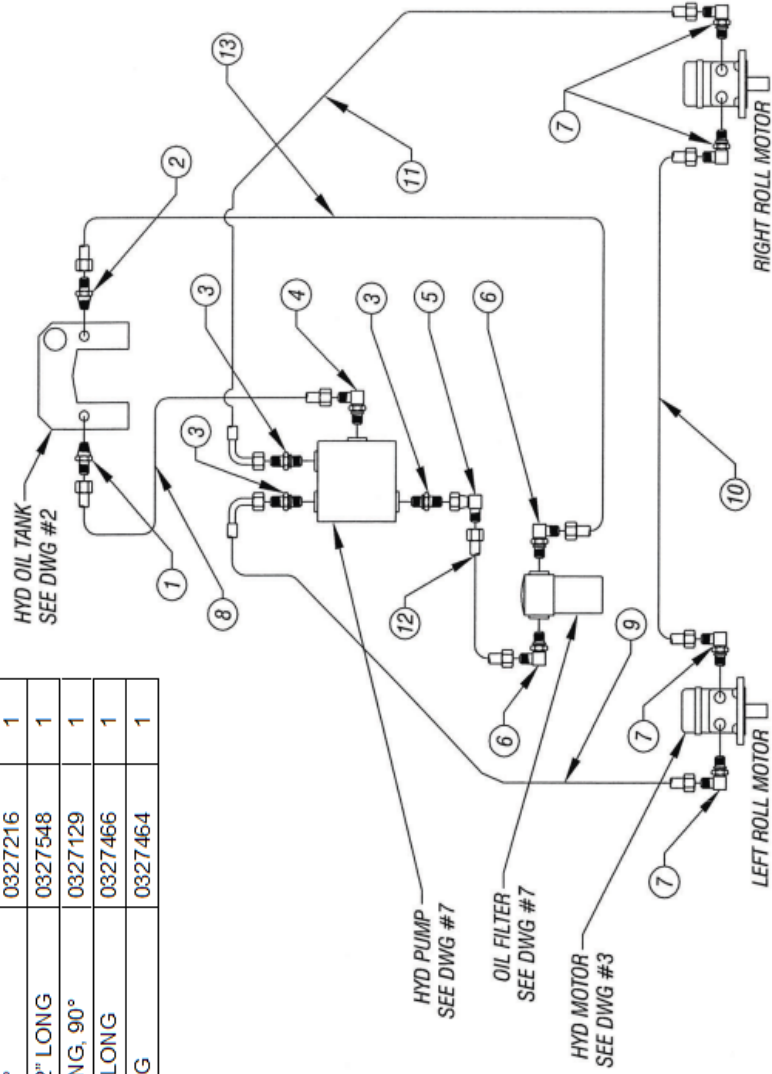


COMPLETE - NEUTRAL SAFETY SWITCH ASSEMBLY
GAS GREENS ROLLER HP 11 - DWG #10

ISSUED:	02-24-2011
	09-18-2020
	06-01-2023

ITEM	DESCRIPTION	PART NO.	QTY.
1	CONNECTOR, 3/8 FLARE X 1/2 MNPT	0317050	1
2	CONNECTOR, 1/2 FLARE X 1/2 MNPT	0317054	1
3	CONNECTOR, 1/2 FLARE X 1/2 O-RING	0317030	3
4	90° ELBOW, 3/8 FLARE X 3/8 O-RING	0317029	1
5	SWIVEL ELBOW, 1/2 FLARE X 1/2 NUT	0317055	1
6	90° ELBOW, 1/2 FLARE X 3/4 O-RING	0317184	2
7	90° ELBOW, 1/2 FLARE X 5/8 O-RING	0317008	4
8	HOSE, TANK TO PUMP, 3/8" ID X 62-1/2" LONG	0327376	1
9	HOSE, PUMP TO MOTOR, 1/2" ID X 18"-90°	0327216	1
10	HOSE, MOTOR TO MOTOR, 1/2" ID X 62-1/2" LONG	0327548	1
11	HOSE, MOTOR TO PUMP, 1/2" ID X 53" LONG, 90°	0327129	1
12	HOSE, PUMP TO FILTER, 1/2" ID X ID X 8" LONG	0327466	1
13	HOSE, FILTER TO TANK, 1/2" ID X 56" LONG	0327464	1

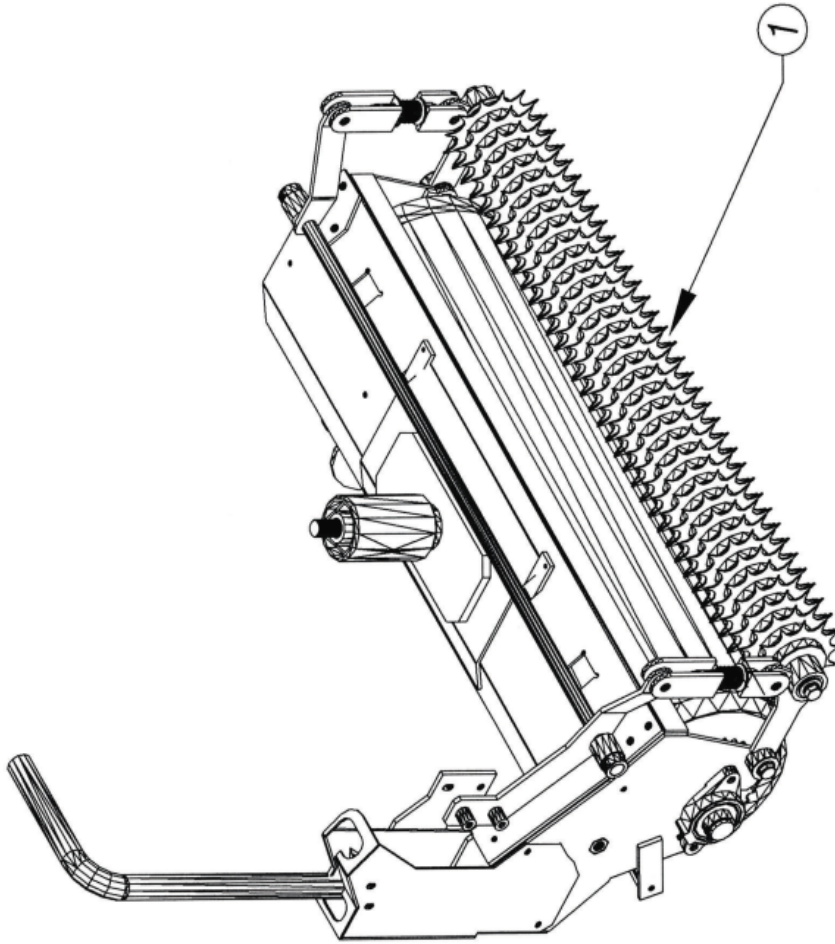
ISSUED:	02-24-2011
	09-18-2020
	06-01-2023



HYDRAULIC COMPONENTS, FITTINGS & HOSES
GAS GREENS ROLLER HP 11 - DWG #11

ITEM	DESCRIPTION	PART NO.	QTY.
1	KIT, INNER SPIKE-AIR - (LEFT)	0161333	1

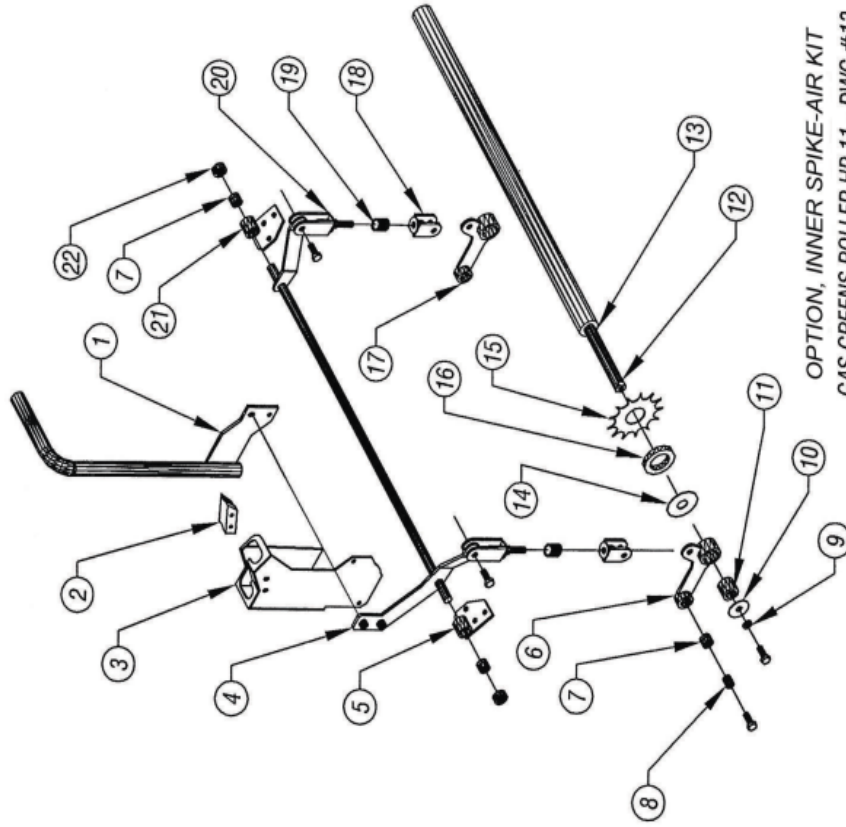
ISSUED:	02-24-2011
	09-18-2020
	06-01-2023



OPTION KIT - INNER SPIKE-AIR (LEFT)
 GAS GREENS ROLLER - DWG #12

ISSUED:	02-24-2014
	09-24-2012
	06-05-2013
	09-18-2020
	06-01-2023

ITEM	DESCRIPTION	PART NO.	QTY.
1	HANDLE, SPIKE-AIR LEVER - LIFT	0223153	1
2	STOP, SPIKE-AIR LEVER - LIFT	0282084	1
3	BRACKET, SPIKE-AIR LIFT LEVER MOUNTING - (LEFT)	0288049	1
4	ARM, SPIKE-AIR LIFT - (LEFT)	0265131	1
5	MOUNT, SPIKE-AIR LIFT BRACKET - (REAR)	0276769	1
6	ARM, SPIKE-AIR PIVOT - (REAR)	0265123	1
7	BUSHING, OILITE	0307044	2
8	BUSHING, SPIKE-AIR PIVOT ARM	0407043	2
9	LOCK WASHER, SPLIT	0353017	2
10	WASHER, 2' OD	0453335	2
11	BUSHING, UHMW	0407045	2
12	SHAFT, SPIKE-AIR KIT	0446328	1
13	TUBE, SPIKE-AIR STACK	0467577	1
14	SPACER, SPIKE AIR SHAFT (FRONT)	0449334	1
	SPACER, SPIKE AIR SHAFT (REAR)	0449335	1
15	BLADE, SPIKE-AIR	0405162	33
16	SPACER, SPIKE-AIR, SPONGE RUBBER	0449282	68
17	ARM, SPIKE-AIR PIVOT - (FRONT)	0265124	1
18	LINK, SPIKE-AIR SPRING - (BOTTOM)	0234073	2
19	SPRING COMPRESSION	0350049	2
20	LINK, SPIKE-AIR SPRING - (TOP)	0234072	2
21	MOUNT, SPIKE-AIR LIFT BRACKET - (FRONT)	0276770	1
22	SET COLLAR, 3/4 ID	0311006	2



OPTION, INNER SPIKE-AIR KIT
GAS GREENS ROLLER HP 11 - DWG #13

ITEM	DESCRIPTION	PART NO.	QTY.	ITEM	DESCRIPTION	PART NO.	QTY.
1*	TIRE & WHEEL ASSEMBLY (TREADED)	0354020	2	13	HEX SCREW	0346217	2
2	HUB ASSEMBLY	0329100	2	14	HEX NUT	0338012	2
3*	BEARING KIT	0303111	2	15	CAP, PLASTIC	0371001	4
4	AXLE	0202110	1	16	RUBBER MAT, TRAILER 43" X 45"	0356039	1
5	HEX HEAD SCREW	0346204	12	17	TRAILER FRAME	0219491	1
6	LOCK NUT	0338102	12	18	TONGUE	0225011	1
7	TAIL GATE	0219492	1	19	HEX HEAD SCREW	0346204	8
8	RUBBER MAT, TAIL GATE, 43" X 48"	0356043	1	20	LOCK NUT, NYLON INSERT	0338102	8
9	LOCK NUT, NYLON INSERT	0338101	12	21	JACK, SWIVEL - WITH CASTER	0369047	1
10	FLAT WASHER	0353101	12	22	SPRING, EXTENSION	0350009	2
11	PLATE, HOLD DOWN GUIDES	04623R5	10	23	BOLT, HEX HEAD - 1/4-20 X 1-14" LONG	0346072	2
12	CARRIAGE BOLT	0346130	12	24	JAM NUT, 1/4-20	0338039	2

***NOTES:**

ITEM #1 - TIRE AND WHEEL ASSEMBLY HORIZONTAL TREAD OPTION - PART # 0354156

ITEM #3 - BEARING KIT (INCLUDES, INNER AND OUTER BEARINGS, SEAL, CAP & LUG NUTS.

TRAILER LATCH ADAPTERS

RIGHT

PART #0275098 - QTY. 1

LEFT

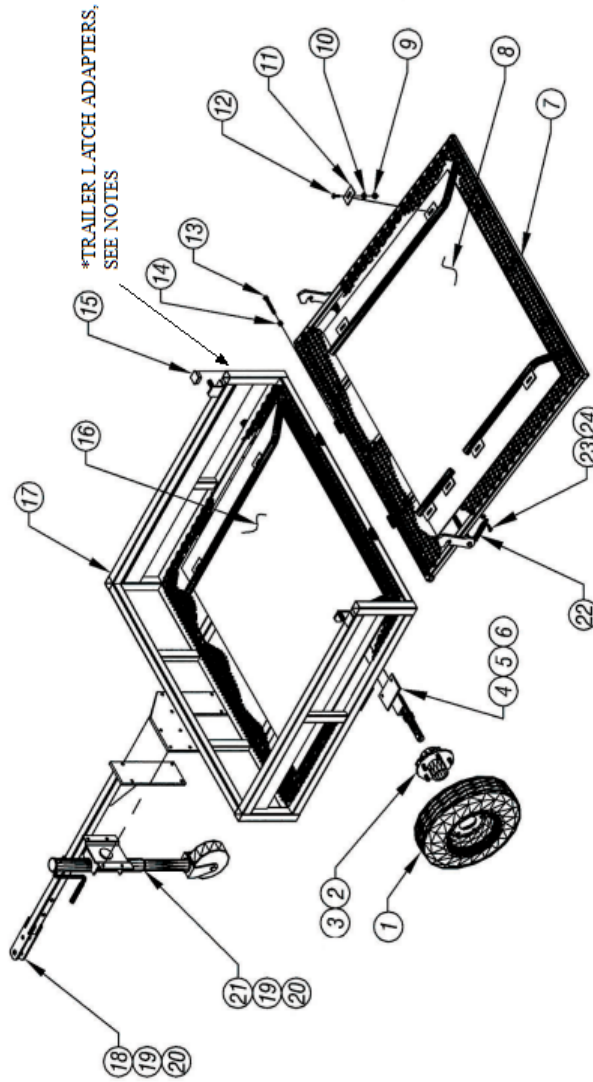
PART #0275099 - QTY. 1

HEX HEAD CAP SCREW, 1/2"-13 X 1-1/4"

PART #0346464 - QTY. 2

STOVER NUT, 1/2-13

PART #0338154 - QTY. 2

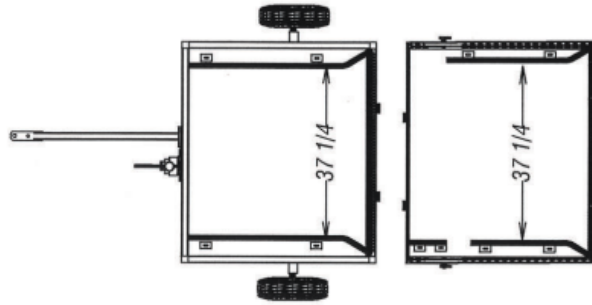
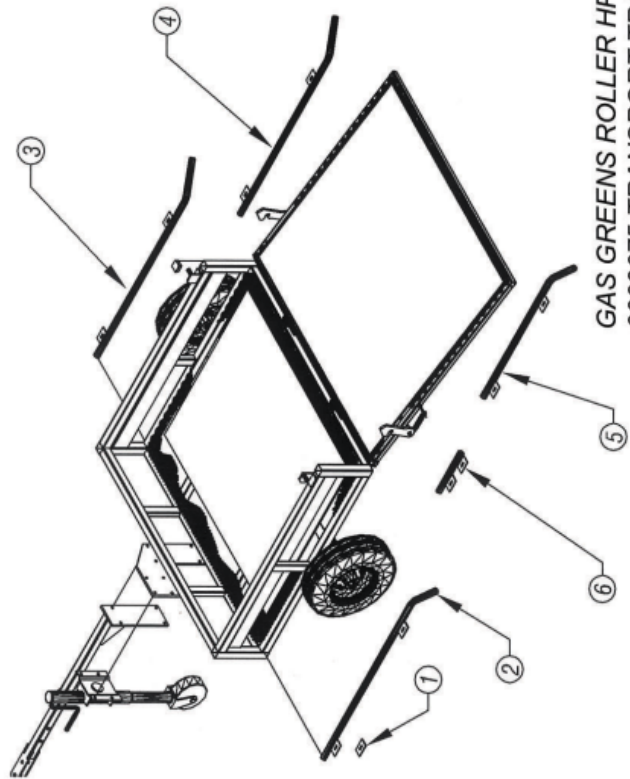


GAS GREENS ROLLER HP11 - DWG #14
0009075 TRANSPORT TRAILER (1 OF 2)

ISSUED:	05-09-2012
	06-12-2013
	09-18-2020
	06-01-2023

ITEM	DESCRIPTION	PART NO.	QTY.
1	GUIDE, TRAILER ROLL - (LEFT)	02ZZZ07	1
2	GUIDE, TRAILER ROLL - (RIGHT)	02ZZZ08	1
3	GUIDE, TRAILER ROLL - (RIGHT)	02ZZZ09	1
4	GUIDE, TRAILER ROLL - (LEFT)	02ZZZ10	1
5	GUIDE, TAILGATE ROLL EXTENSION	02ZZZ11	1

ISSUED:	05-09-2012
	09-18-2020
	06-01-2023



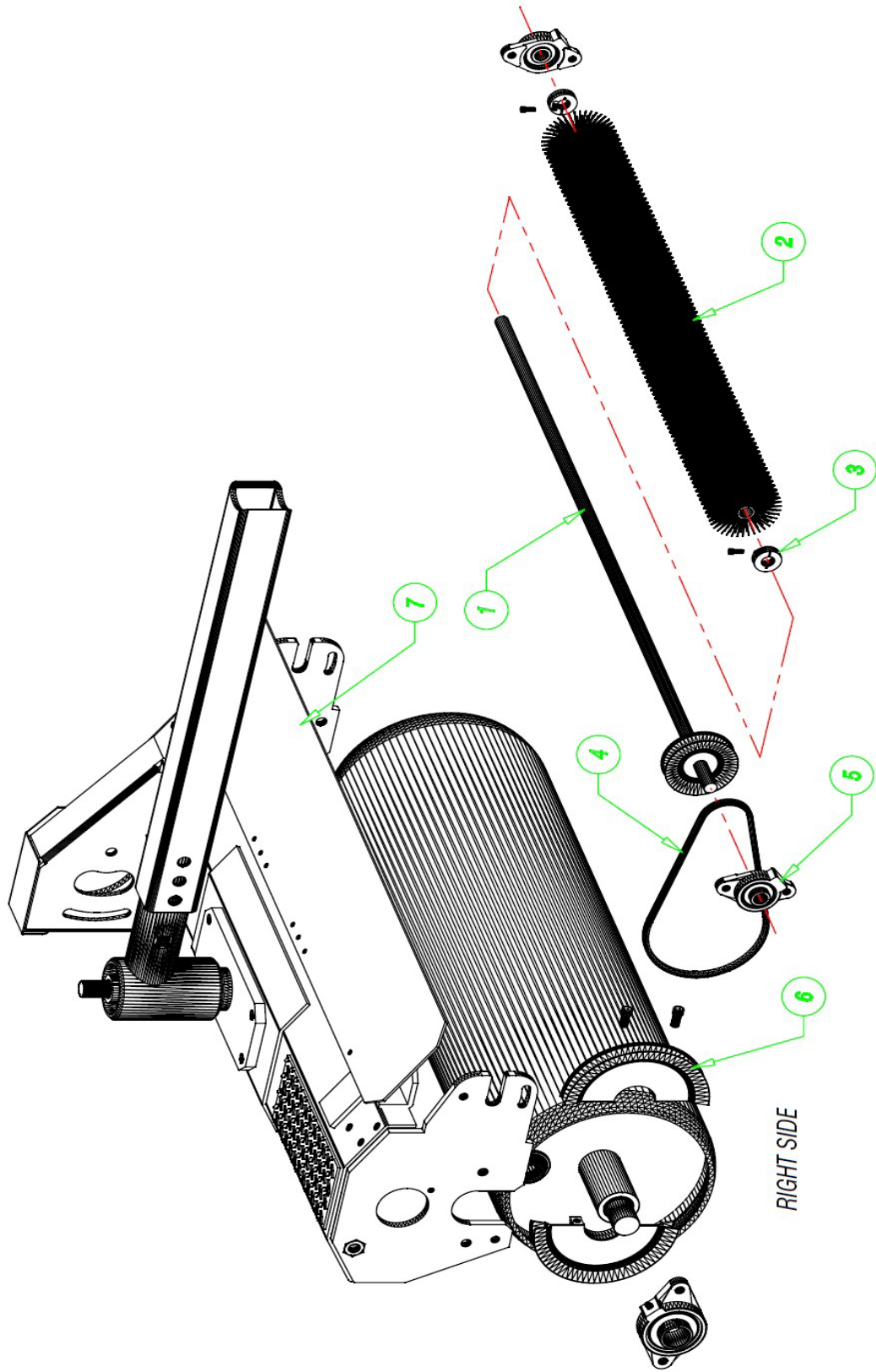
LOCATION OF
ROLLER GUIDES

GAS GREENS ROLLER HP11 - DWG #15
0009075 TRANSPORT TRAILER (2 of 2)

REVISIONS	
ISSUE DATE	DESCRIPTION OF CHANGE, EFFECTIVE DATE OF CHANGE, EFFECTIVE PRODUCTION DATE FOR THESE PARTS
10/6/25	5/9/22

ITEM	DESCRIPTION	PART NO.	QTY
1	SHAFT, ROLLER BRUSH	0248464	1
2	BRUSH, OPEN COIL - 03 1/2" O.D. x 41" FACE	0336142	1
3	COLLAR, BRUSH CLAMPING	0211064	2
4	V-BELT- SINGLE- 28" LG.	0304200	1
5	BEARING, 2- BOLT FLANGE- .0518" BORE	0303118	2
6	PULLEY, BRUSH DRIVE	0242276	1
7	GUARD, ROLLER BRUSH- LONG ROLL	0421810	1

*QUANTITIES OF PART NUMBERS SHOWN HERE DEPICT THIS SIDE OF MACHINE ONLY.



OPTIONAL EQUIPMENT SHOWN
0161432- KIT, CROSS CONTAMINATION PREVENTION FOR HP11

0009070- GAS GREENSROLLER- MODEL #HP11

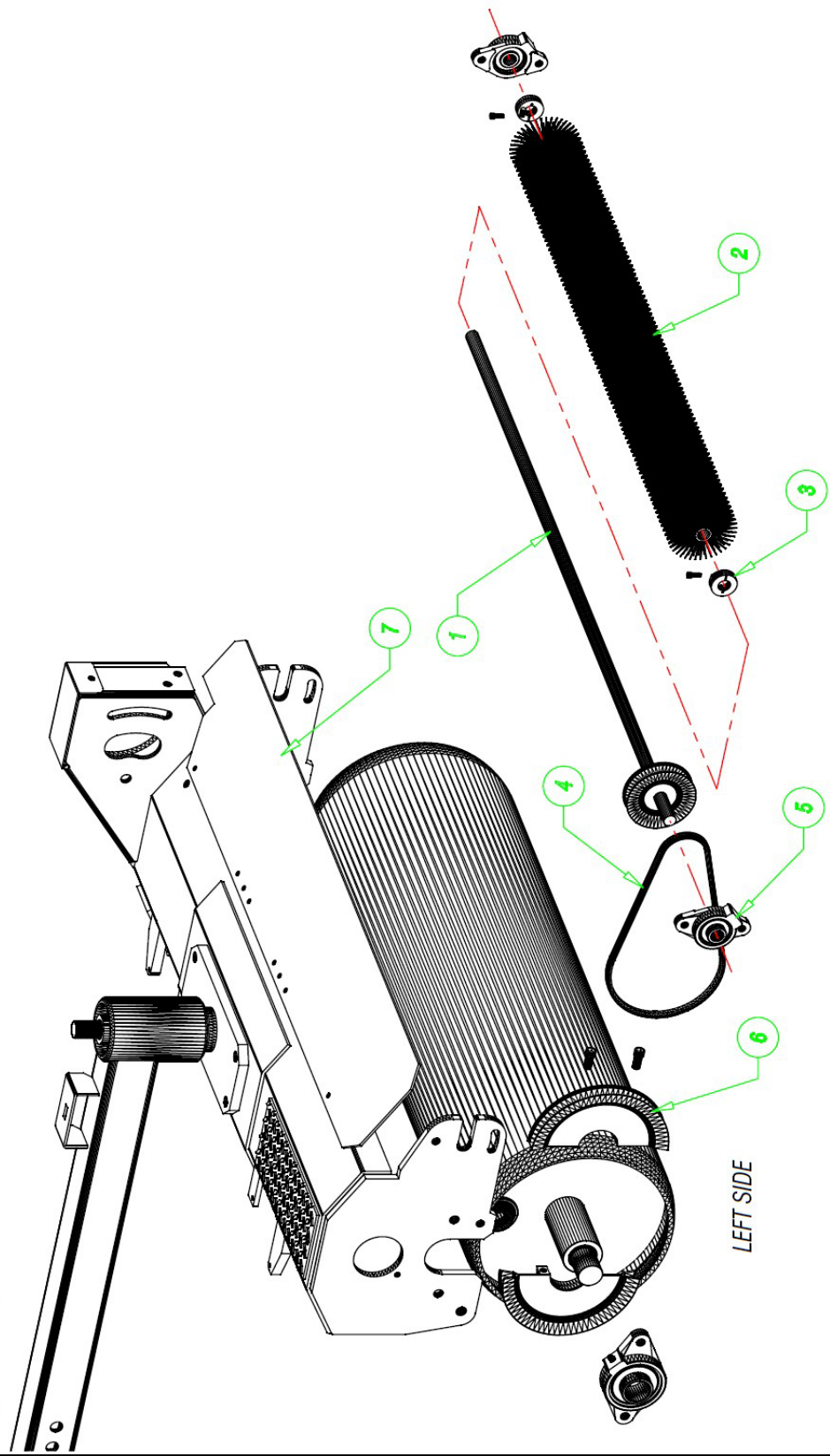
DWG. #16

Salsco, Inc.
LEADER BY DESIGN

REVISIONS		
ISSUE DATE	DESCRIPTION OF CHANGE	EFFECTIVE DATE OF CHANGE
10/6/25	EFFECTIVE PRODUCTION DATE FOR THESE PARTS:	5/5/22

ITEM	DESCRIPTION	PART NO.	QTY.
1	SHAFT, ROLLER BRUSH	0248464	1
2	BRUSH, OPEN COIL- 03 1/2" O.D. X 41" FACE	0336142	1
3	COLLAR, BRUSH CLAMPING	0211064	2
4	V-BELT- SINGLE- 28" LG.	0304200	1
5	BEARING, 2- ROIT FLANGE- 05/8" BORE	0303118	2
6	PULLEY, BRUSH DRIVE	0242276	1
7	GUARD, ROLLER BRUSH- LONG ROLL	0421810	1

*QUANTITIES OF PART NUMBERS SHOWN HERE DEPICT THIS SIDE OF MACHINE ONLY.



OPTIONAL EQUIPMENT SHOWN
 0161432- KIT, CROSS CONTAMINATION PREVENTION FOR HP11
 DWG. #17



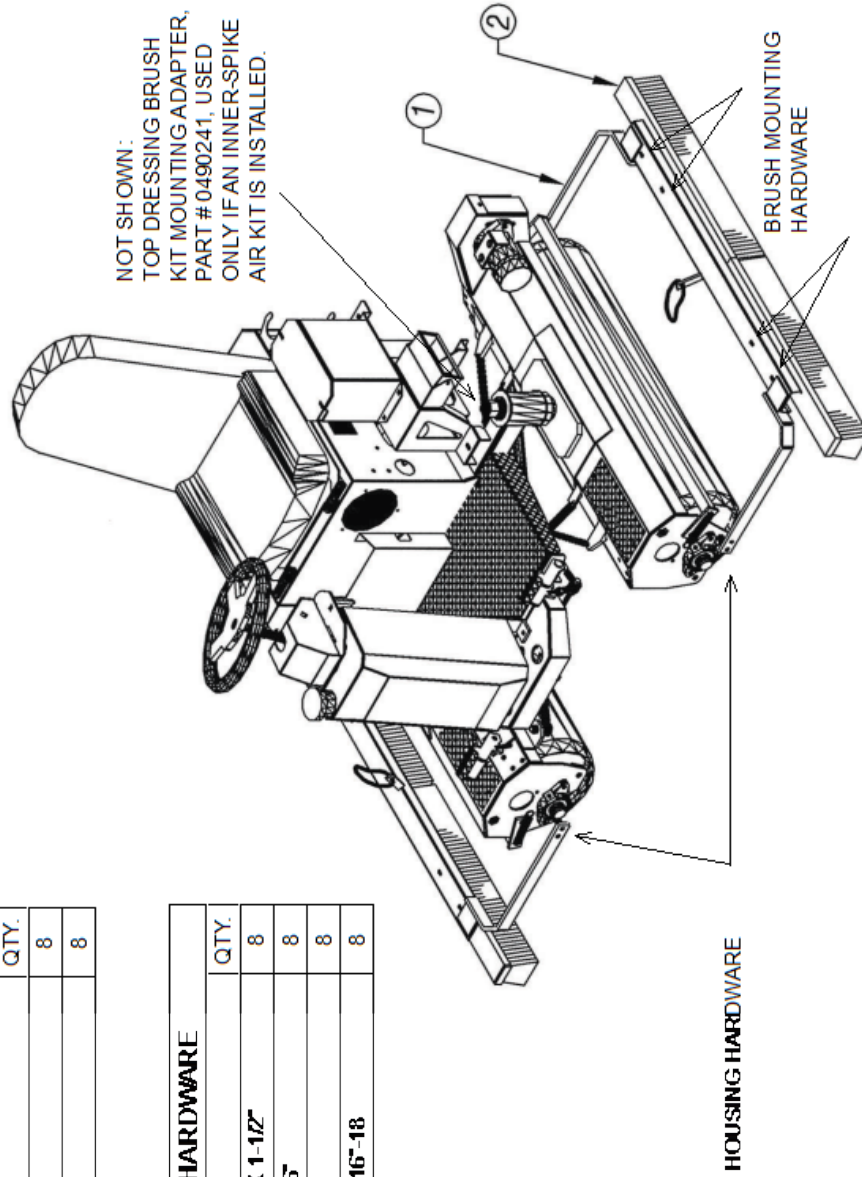
0009070- GAS GREENROLLER- MODEL #HP11

ITEM	DESCRIPTION	PART NO.	QTY.
1	HOUSING, BRUSH KIT	0228294	2
2	BRUSHES	0336060	4

ISSUED:	41-13-2013
	9-18-2020
	06-01-2023

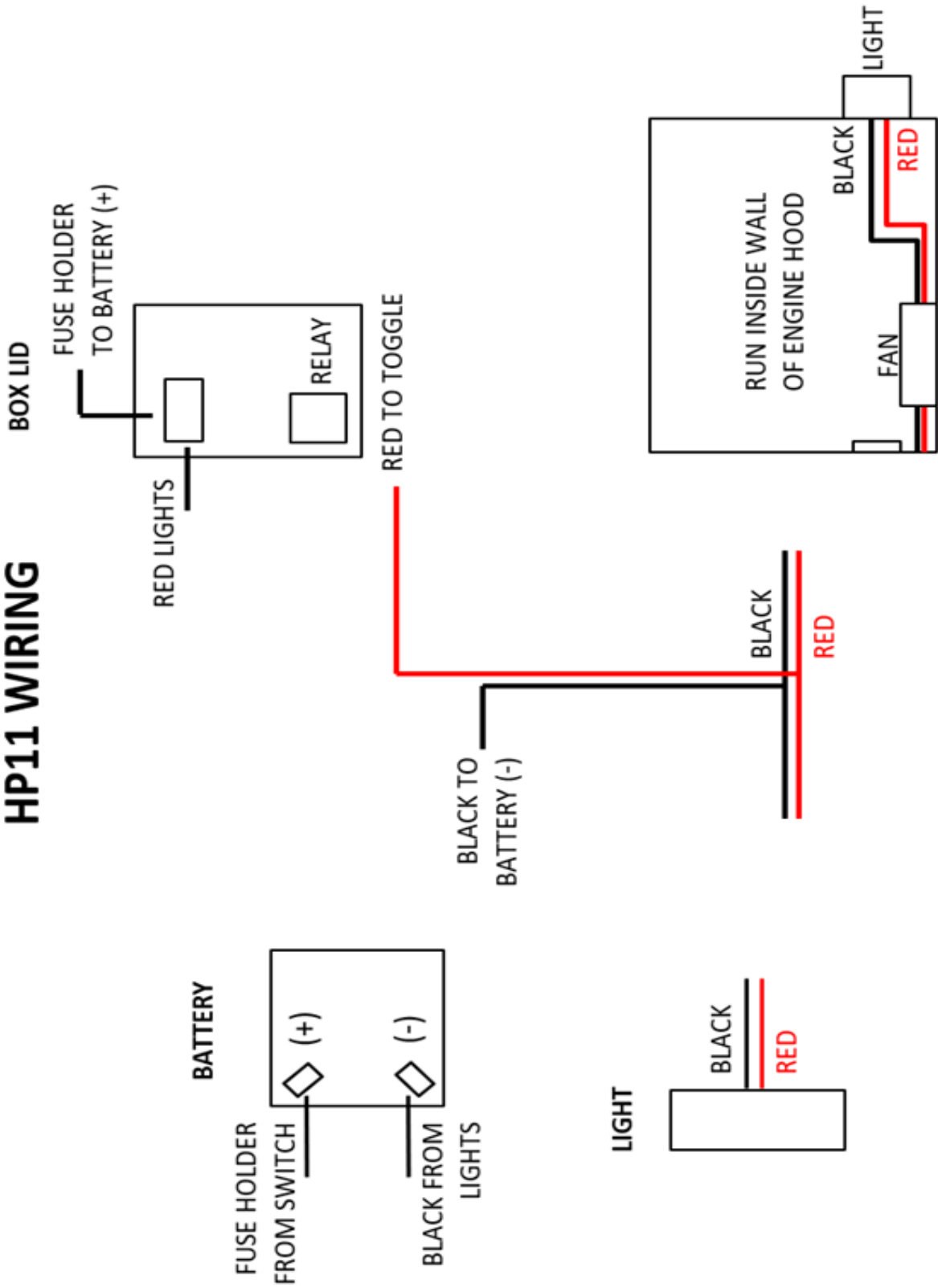
HOUSING HARDWARE		
PART NO.	DESCRIPTION	QTY.
0346265	BOLT, 3/8" X 2-1/2"	8
0338102	NUT, NYLOCK	8

BRUSH MOUNTING HARDWARE		
PART NO.	DESCRIPTION	QTY.
0346131	CARRIAGE BOLT, 5/16" X 1-1/2"	8
0353144	SAE FLAT WASHER, 5/16"	8
0353012	LOCK WASHER, 5/16"	8
0338041	FLAT HEAD HEX NUT, 5/16"-18	8



**OPTION - TOP DRESSING BRUSH KIT #0161341
GAS GREENS ROLLER HP11 - DWG #18**

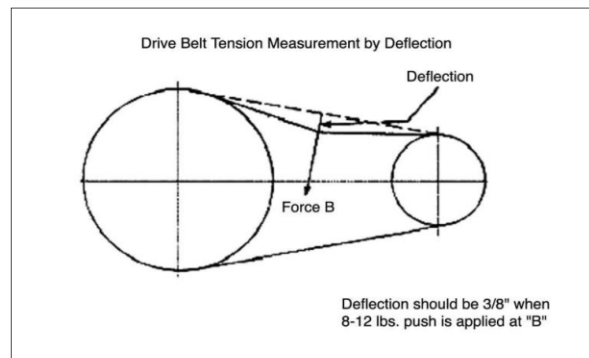
HP11 WIRING



Below is a quick reference chart for various
 "Flat Head Cap Screws" and the torque recommendations.

VALUES ARE STATED IN FOOT POUNDS

BOLT SIZE	Thds Per Inch	SAE Grade 5	SAE Grade 8
¼	20	10	14
	28	—	—
5/16	18	19	29
	24	—	—
3/8	16	33	47
	24	—	—
7/16	14	54	78
	20	—	—
½	13	78	119
	20	—	—
9/16	12	114	169
	18	—	—
5/8	11	154	230
	11	—	—
¾	10	257	380
	10	—	—
7/8	9	382	600
	9	—	—
1	8	587	700
	8	—	—



GAS GREENS ROLLER SERVICE INTERVAL SCHEDULE

After ___ hours / Daily / Weekly / Yearly / See vendor manual

ENGINE - Check Honda service manual for recommended service intervals.

	H	D	W	Y	MANUAL
Check oil level		X			
Change oil	500				
Change oil filter	500				
Change fuel filter	500				
Check all for leaks		X			

HYDRAULIC SYSTEM

	H	D	W	Y	MANUAL
Grease hydraulic cylinders, pins, etc. where applicable			X		
Check for leaks (all hoses and fittings at both hose ends)		X			
Check hydraulic oil level ... <i>only if you see leaks</i>					
Change hydraulic oil First 500	1000				
Change hydraulic oil filter First 500	1000				
Inspect hoses for chafing, cracks, etc. and assure nothing impedes		X			

ADJUSTMENTS & DRIVES

	H	D	W	Y	MANUAL
Check all nuts, bolts, other fasteners for tightness			X		
Check chains for proper lubrication, wear, and tension			X		
Check belts for proper wear and tension (is belt dressing recommended?)			X		
Grease bearings, cylinders, steering shaft (is this a sealed bearing?)			X		

TRAILER

	H	D	W	Y	MANUAL
Check tire pressure (recommended pressure)			X		
Inspect tires for dry rot, tread wear, damage, etc.		X			
Grease axle and wheel hubs				X	

RECOMMENDED OIL - Fill within 6" of the top to avoid overflow when it gets hot.

Models 09065 / 09067	AW68 Hydraulic Oil
HP11	AW68 Hydraulic Oil
HP5.5	AW68 Hydraulic Oil
HP11-III	15-50 Motor Oil
Roll-n-Go, EHA	15-50 Motor Oil
Tranz-Former, EHA 5-G	10-40 Motor Oil

CUSTOMER SUPPORT

Contact Customer Support

SALSCO

105 Schoolhouse Road

Cheshire, CT 06410 USA

800-872-5726, 203-271-1682

203-271-2596 (Fax)

www.salsco.com

Registration and Warranty Information

www.salsco.com/register