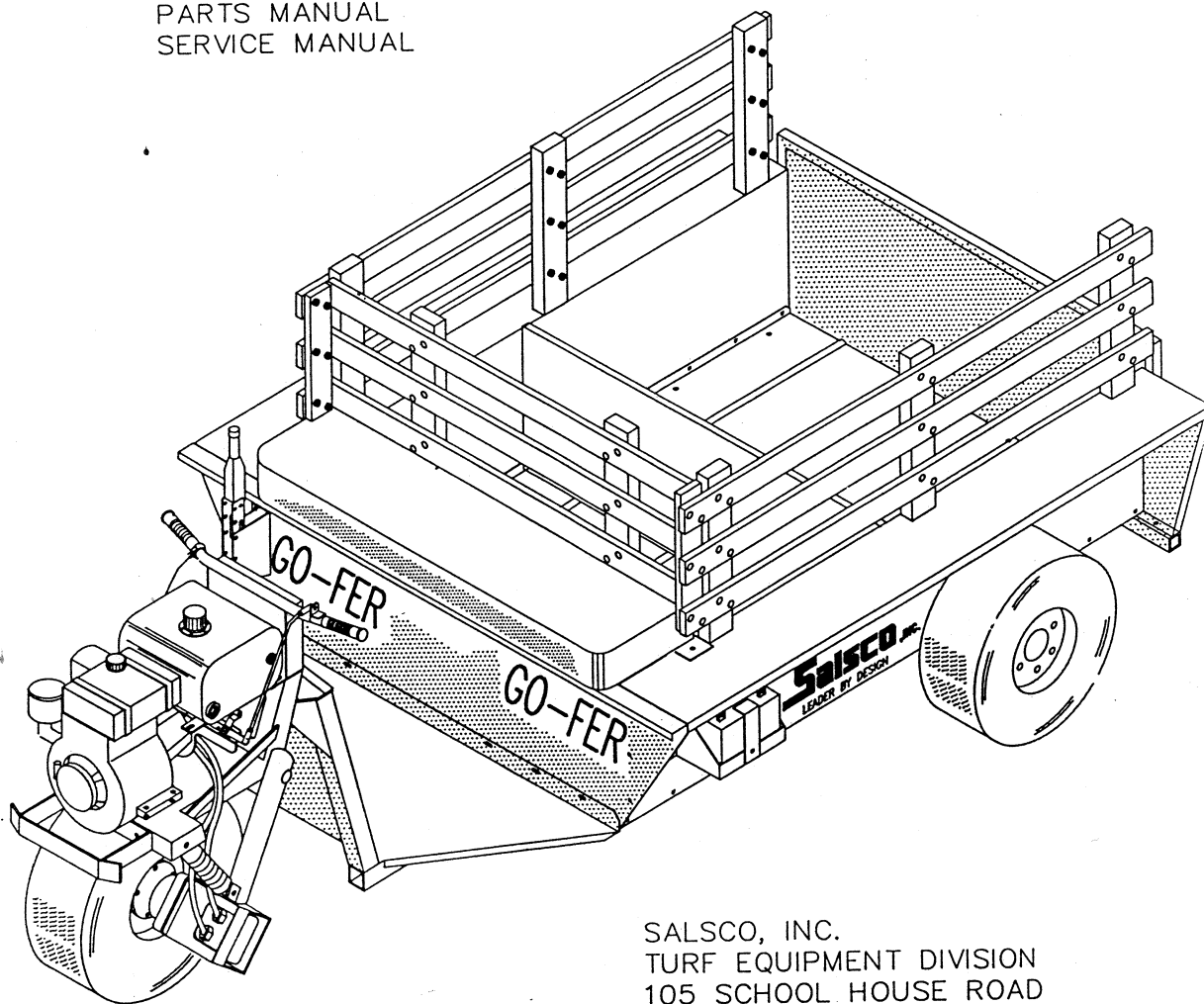


Salsco, INC.

LEADER BY DESIGN

OWNER'S MANUAL
PARTS MANUAL
SERVICE MANUAL



SALSCO, INC.
TURF EQUIPMENT DIVISION
105 SCHOOL HOUSE ROAD
CHESHIRE, CONN. 06410 USA

* NOTE: PLEASE READ "CAUTIONS" IN THIS MANUAL

STATEMENT OF FACT

YOU HAVE JUST PURCHASED THE HIGHEST QUALITY, MOST MANEUVERABLE UTILITY VEHICLE ON THE MARKET TODAY. THIS UNIT HAS THE ABILITY TO MEET EXACT STANDARDS AND PERFORM FOR YEARS WITH MINIMUM DOWN TIME. HOWEVER, IT CANNOT READ NOR WILL IT UNDERSTAND THIS MANUAL NO MATTER HOW LONG YOU LEAVE IT ON TOP OF THE MACHINE. IT IS YOUR RESPONSIBILITY TO READ AND UNDERSTAND IT. IT IS ALSO YOUR RESPONSIBILITY TO BE CERTAIN THIS INFORMATION IS PASSED ALONG TO ANYONE WHO IS EXPECTED TO OPERATE THIS EQUIPMENT. SHOULD YOU CHOOSE NOT TO READ, UNDERSTAND AND PASS ALONG THE INFORMATION PROVIDED YOU, PLEASE EXPECT EQUIPMENT FAILURE AND POSSIBLE INJURIES TO PERSONS AROUND THIS EQUIPMENT.

FOR THE SAFETY OF THE OPERATOR, IT IS IMPERATIVE THAT THIS MANUAL IS CAREFULLY READ AND UNDERSTOOD.

HAVING READ THIS MANUAL, IT IS YOUR RESPONSIBILITY TO BE SURE THAT ALL NEW OPERATORS READ AND UNDERSTAND THIS MANUAL ESPECIALLY THE CAUTIONS ON PAGE 9.

AS A MANUFACTURER OF EQUIPMENT WE HAVE A RESPONSIBILITY TO DESIGN A SAFE PIECE OF EQUIPMENT. HOWEVER, ONLY YOU CAN PREVENT ACCIDENTS!!

DO NOT RUN VEHICLE WITHOUT COVERS IN PLACE

CCD PROGRAM

COMMERCIAL CONSUMER DIRECT

THE FOLLOWING ARE BENEFITS YOU ARE ENTITLED TO WHEN PURCHASING THE GO-FER™ THROUGH THE CCD PROGRAM.

1) LOWER PRICES

BECAUSE THIS PRODUCT HAS QUALIFIED TO BE SOLD WITHIN OUR CCD PROGRAM, IT HAS REALIZED ECONOMY, WHICH IS BEING PASSED ALONG TO YOU, THE CONSUMER.

2) EXTENDED PAYMENT PLAN

SALSCO CAN OFFER SEVERAL DIFFERENT TYPES OF PAYMENT PLANS.

3) 2-YEAR WARRANTY

TWO YEAR WARRANTY COVERS WORKMANSHIP AND MATERIALS PRODUCED BY SALSCO. TWO YEAR WARRANTY ON TIRES, PRO RATED. (Pro rate by taking cost of tires and divide by 24 months) THIS WARRANTY DOES NOT INCLUDE INCIDENTAL OR CONSEQUENTIAL DAMAGES AND IS EXCLUSIVE OF ANY IMPLIED WARRANTIES. WARRANTY DOES NOT INCLUDE NORMAL MAINTENANCE PARTS, INCLUDING, BUT NOT LIMITED TO BELTS, BEARINGS AND SPROCKETS. SEE WARRANTY POLICY PAGE 18.

4) UNCONDITIONAL PRODUCT RETURN

WE WILL PAY THE FREIGHT! IF FOR ANY REASON THE PRODUCT DOESN'T PERFORM THE WAY IT SHOULD AND YOU WISH TO RETURN IT, SIMPLY CALL SALSCO AT 1-800-8-SALSCO. EXPLAIN THE PROBLEM TO OUR CUSTOMER SERVICE REPRESENTATIVE. IF THE PROBLEM CANNOT BE RESOLVED QUICKLY AND EASILY, OUR REPRESENTATIVE WILL ISSUE A PRODUCT RETURN NUMBER AND GIVE YOU DETAILS ON HOW TO RETURN THE PRODUCT.

NOTE - TO RETURN A PRODUCT UNDER THIS PROGRAM, THE PRODUCT MUST NOT HAVE BEEN IN THE CUSTOMERS POSSESSION FOR MORE THAN TWO DAYS AND BE IN LIKE-NEW CONDITION.

DO NOT RUN VEHICLE WITHOUT COVERS IN PLACE

5) **FREE OPERATION AND SERVICE VIDEOS**

FROM 15-20 MINUTES LONG, EACH VIDEOCASSETTE SHOWS HOW TO SAFELY AND PRODUCTIVELY OPERATE THE PRODUCT, AND HOW TO SERVICE AND MAINTAIN THE PRODUCT FOR LONG LIFE AND SMOOTH RUNNING. THE SERVICE AND MAINTENANCE ISSUES MAY BE ADDRESSED IN A HANDS-ON DISCUSSION WITH PROFESSIONALS IN THE FIELD. **NOTE:** THE OPERATOR SHOULD ALWAYS WEAR THE PROPER SAFETY EQUIPMENT AND THERE SHOULD NOT UNDER ANY CIRCUMSTANCES BE MORE THAN ONE PERSON SEATED UP-FRONT AT A TIME. THIS IS A ONE PERSON SEAT.

6) **48-HOURS PARTS PROGRAM**

SALSCO BOASTS A 98% FILL RATE ON ALL PARTS ORDERS WITHIN 48 HOURS OF RECEIPT ON ORDERS RECEIVED BY PHONE, MAIL, OR FAX. ORDERS RECEIVED THE DAY BEFORE A WEEKEND OR A HOLIDAY WILL BE TREATED AS THOUGH THEY WERE RECEIVED ON THE DAY AFTER A WEEKEND OR HOLIDAY.

PLEASE HAVE THE FOLLOWING INFORMATION READY WHEN PLACING AN ORDER:

CUSTOMER ACCOUNT NUMBER (if you have your account number, it will not be necessary to supply your name, address, and phone number).

NAME, ADDRESS, ZIP CODE, AREA CODE AND PHONE NUMBER.

MODEL AND PART NUMBER, QUANTITY.

SHIPPING INSTRUCTIONS (Regular U.P.S., overnight, or second day air).

PAYMENT TERMS ie. Credit Card (number and expiration date), cash before ship, wire transfer, or C.O.D.

7) **24-HR PHONE SERVICE**

BY USING THIS SERVICE, ORDERS WILL BE PROCESSED AS SOON AS THE OFFICE OPENS. CUSTOMERS ON THE WEST COAST CAN PLACE THEIR ORDERS ANYTIME DURING THEIR WORKING DAY AND BE ASSURED THAT THE ORDER WILL BE PROCESSED QUICKLY.

8) **MAJOR CREDIT CARDS ACCEPTED**

FOR YOUR EASE AND CONVENIENCE WE ACCEPT THE FOLLOWING MAJOR CREDIT CARDS: MASTER CARD, VISA AND AMERICAN EXPRESS.

YOU WILL NEED YOUR ACCOUNT NUMBER, NAME THE ACCOUNT IS UNDER AND THE EXPIRATION DATE.

DO NOT RUN VEHICLE WITHOUT COVERS IN PLACE

DESCRIPTION

The Go-Fertm is a three wheel Utility Vehicle designed to do a multitude of jobs in many different industries. Its low center of gravity and wide wheel base give it excellent stability on hills and inclines. Being light weight and having FLOTATION TURF TIRES allows it to travel to the work site in the early hours before the sun has a chance to dry the turf. Lowering the 20" TAILGATE allows it to act as a Ramp. With the body only 8" off the ground, loading and un-loading of small hand equipment becomes easy. We've also lined the floor and TAILGATE/RAMP with rubber, which provides a non-slip surface. The Go-Fer's 29 CUBIC FOOT CAPACITY is one of the largest on the market for Utility Vehicles of its size.

Go-Fer is available in either PULL OR ELECTRIC START. The standard power source is an 8 h.p. KOHLER ENGINE coupled with a SUNSTRAND HYDRAULIC PUMP which in turn sends power to a CHAR-LYNN DRIVE MOTOR which we mount on the front wheel. On the ALL WHEEL DRIVE GO-FER, we've added a CHAR-LYNN DRIVE MOTOR to each of the rear wheels. This machine has the ability to climb inclines that would never be attempted, let alone conquered by most other Utility Vehicles.

User friendly, is a term which certainly applies to this machine. The right hand operates the throttle, the left hand; FORWARD AND REVERSE WITH HYDROSTATIC DRIVE, when coming out of full forward or reverse on your way to neutral, the dynamic braking of the HYDRAULIC SYSTEM will automatically stop the machine. No chance of putting this machine into neutral to coast down a hill! However, in case of a break down or while servicing, if you need to push or pull the Go-Fer, there is a valve on top of the HYDRAULIC PUMP which when manually turned will allow the oil to by-pass and the machine to be put into neutral. An emergency brake handle on the right of the operator's seat is used for parking only.

DO NOT RUN VEHICLE WITHOUT COVERS IN PLACE

MANUFACTURED BY:

SALSCO, INC.
TURF EQUIPMENT DIVISION
105 SCHOOL HOUSE ROAD
CHESHIRE, CT 06410
(203) 271-1682
FAX: (203) 271-2596

THIS MANUAL COVERS MODELS:

- 0001001 - FRONT WHEEL DRIVE, KOHLER ENGINE, ELECTRIC START.
- 0001002 - FRONT WHEEL DRIVE, KAWASAKI ENGINE, PULL START.
- 0001003 - FRONT WHEEL DRIVE, KOHLER ENGINE, PULL START.
- 0001004 - FRONT WHEEL DRIVE, KAWASAKI ENGINE, ELECTRIC START.
- 0001005 - ALL WHEEL DRIVE, KOHLER ENGINE, ELECTRIC START.
- 0001006 - ALL WHEEL DRIVE, KAWASAKI ENGINE, PULL START.
- 0001007 - ALL WHEEL DRIVE, KOHLER ENGINE, PULL START.
- 0001008 - ALL WHEEL DRIVE, KAWASAKI ENGINE, ELECTRIC START.

This company reserves the right to discontinue, add improvements to, or change the design of any model or product at any time without obligation to improve existing machines, either by changing the design or adding new parts.

It has been and will continue to be the policy of SALSCO to update existing machines at its own discretion. Whenever possible, new designs will be made in such a way, that they can be "Retro Fit" if so desired.

Record in the space provided below the model and serial number of this unit. Please retain these numbers for future reference.

No parts orders will be accepted without model numbers or part numbers. All part numbers are listed in this manual.

SERIAL NUMBER

MODEL NUMBER & NAME

NOTE: Be sure to complete and return your warranty card. This will insure immediate processing of warranty claims.

READ AND UNDERSTAND THIS MANUAL BEFORE STARTING MACHINE

MAINTENANCE AND SERVICE

The Go-Fertm is a light weight, 750 lbs. hydrostatically driven Utility Vehicle powered by an 8 h.p. Kohler pull or electric start engine, capable of carrying up to 1,000 lbs. of people and equipment. It's cargo area is only 8" off the ground and with it's 20" tailgate it's extremely easy for one person to load and unload.

To operate the Go-Fer, just turn the key, control the throttle with the right hand twist grip, which returns to idle when released, and control forward, reverse, direction, and speed with the left hand twist grip; which also returns to neutral when released. The parking brake is on the right side of the seat.

TO MAINTAIN THE GO-FER

1. Clean the air cleaner and change the oil as recommended by the engine manufacturer.
2. Grease the two fittings on the front end weekly.
3. Change the hydraulic filter semi-annually or after 500 hours of use.
4. Repack the rear wheel bearings yearly.
5. Check P.S.I. in tires weekly.
6. Visually check the following before operating machine:
 - a) Hydraulic hoses for leaks, cuts or areas that might be leaking.

TO REMOVE THE HYDROSTATIC PUMP

1. Drain the tank.
2. Mark, remove, and plug the hoses and pump parts.
3. Remove the linkage.
4. Remove the two bolts holding the pump.
5. Remove the pump.
6. Reverse the order to install.

TO REMOVE THE DRIVE MOTOR

1. Jack the front wheel off the ground.
2. Put a block under the frame.
3. Remove the front wheel.
4. Mark, remove and plug the hoses and motor parts.
5. Remove the four nuts holding the motor and slide the motor out.
6. Reverse the order to install the motor.

DO NOT RUN VEHICLE WITHOUT COVERS IN PLACE

TO REPLACE BUSHINGS IN SUSPENSION

1. Jack front wheel off the ground.
2. Put a block under the frame.
3. Mark, remove, and plug the hoses and motor parts.
4. Remove the spring shock lower bolt.
5. Loosen and remove the two set screws on the locking collar.
6. Remove the locking collar.
7. Slide the shaft assembly out and lower.
8. Drive out the worn bushings and replace.
9. Reverse order to assemble.

TO REPLACE THE STEERING BUSHINGS

1. Jack the front wheel up just enough to release the weight on the bushings.
2. Put a block under the frame.
3. Loosen the locking collar on the bottom of the pivot pin.
4. Support the front end assembly securely from above before removing the pivot pin as it weighs over 200 lbs.
5. Remove the pivot pin and spacers, (top and bottom).
6. Separate the back from the front.
7. Drive out the worn bushings and replace with new bushings.
8. When assembling check to see if spacers need to be replaced.
9. Assemble in reverse order.

DO NOT RUN VEHICLE WITHOUT COVERS IN PLACE

OPERATING INSTRUCTIONS

BEFORE YOU START THIS MACHINE:

1. READ AND UNDERSTAND THIS OWNER'S MANUAL.
2. BE SURE THAT THE PARKING BRAKE IS ON.
3. CHECK THE ENGINE OIL .
4. CHECK THE ENGINE FUEL.
5. CHECK THE HYDRAULIC OIL. *ISO 32 10 wght. - Cetop*
6. MAKE SURE THE FORWARD/REVERSE LEVER IS IN NEUTRAL.
7. TURN THE ON/OFF SWITCH TO ON.
8. TURN KEY SWITCH TO ON.
9. START ENGINE AND LET WARM UP (SEE ENGINE MANUAL).
10. SIT ON MACHINE, KEEP YOUR FEET ON THE FLOOR BOARD.
11. DISENGAGE PARKING BRAKE.
12. SLOWLY GIVE THE MOTOR A LITTLE THROTTLE, MOVE FORWARD/REVERSE LEVER TO THE FORWARD POSITION.

NOTE: THE MORE YOU MOVE THE FORWARD/REVERSE LEVER IN A DIRECTION THE FASTER YOU'LL GO WITH LESS POWER. FOR MORE POWER GO WITH LESS SPEED.

SAFETY IS A PRIME CONCERN AT SALSCO AND THE SAFETY DECALS ON YOUR MACHINE ARE A HIGHLY VISIBLE AND CONSTANT REMINDER TO ALL OPERATORS. REPLACEMENT SAFETY DECALS MAY BE OBTAINED BY CALLING TOLL FREE 1-800-8SALSCO.

DO NOT RUN VEHICLE WITHOUT COVERS IN PLACE

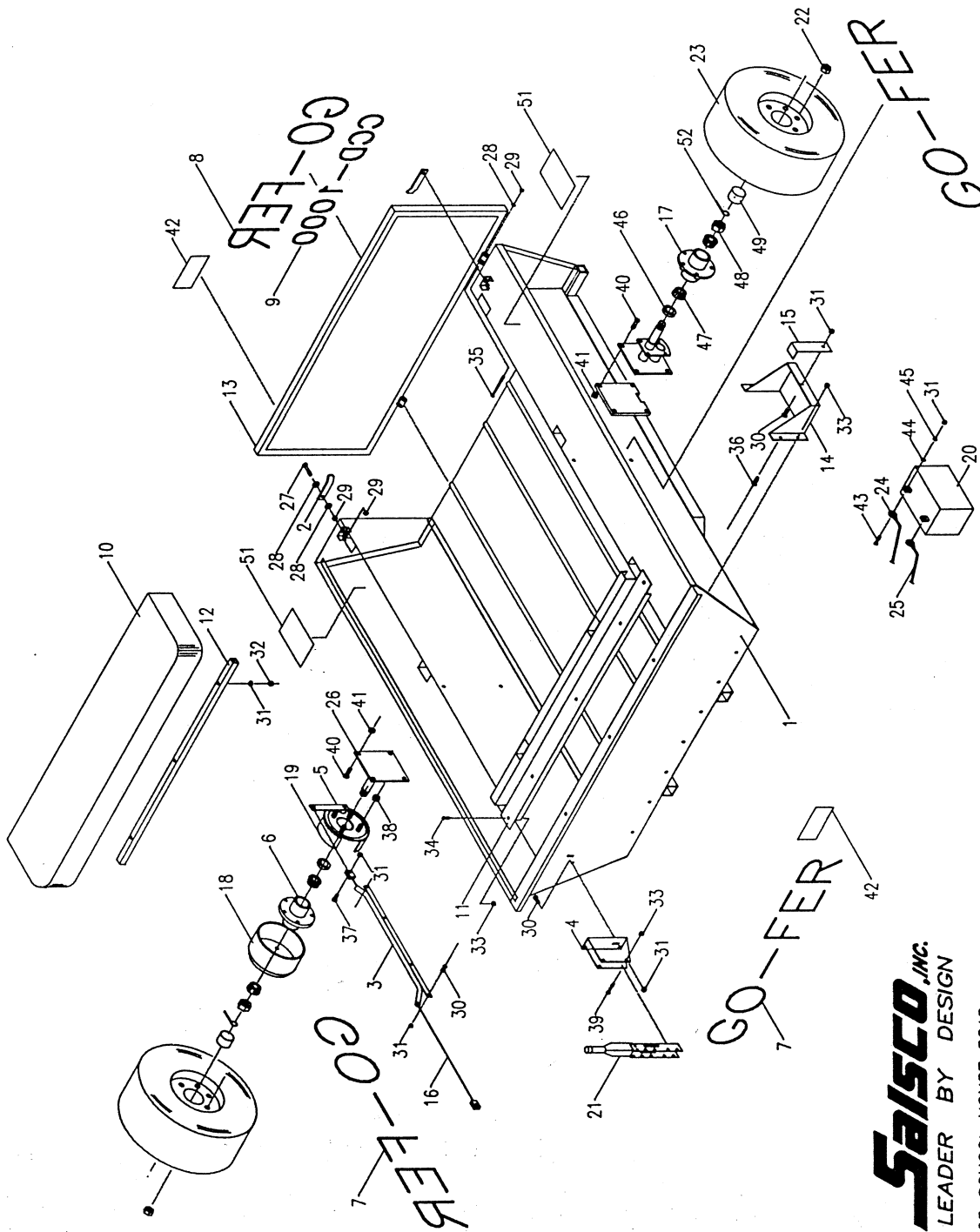
CAUTIONS

BEFORE YOU START THIS MACHINE:

1. READ AND UNDERSTAND THIS MANUAL.
2. NEVER OPERATE WITHOUT THE COVERS IN PLACE.
3. DO NOT ALLOW PASSENGERS TO SIT UP FRONT. THIS IS A ONE PERSON SEAT. PASSENGERS MUST SIT IN BACK KEEPING HANDS AND FEET INSIDE WHILE VEHICLE IS IN MOTION. REMEMBER THE WELL BEING OF THE PASSENGER IS YOUR RESPONSIBILITY.
4. NEVER LEAVE THE VEHICLE RUNNING WHILE UNATTENDED AND ALWAYS USE YOUR PARKING BRAKE.

DO NOT RUN VEHICLE WITHOUT COVERS IN PLACE

ITEM	PART NO.	PART DESCRIPTION	QTY
1	0219006	HOPPER FRAME	1
2	0541043	TAILGATE LATCH	2
3	0222001	BRAKE CABLE GUIDE	1
4	0206013	BRAKE BRACKET	1
5	0433006	BRAKE LEVER	1
6	0429003	SPECIAL HUB	1
7	0314001	DECAL-FRONT & SIDES	3
8	0314002	DECAL-BACK	1
9	0314003	DECAL CCD-1000	1
10	0547001	SEAT	1
11	0206008	SEAT BRACKET	1
12	0455040	SEAT TUBE	1
13	0260001	TAILGATE DOOR	1
14	0260007	BATTERY BRACKET	1
15	0410001	BATTERY CLAMP	1
16	0308003	BRAKE CABLE	1
17	0529002	WHEEL HUB	1
18	0336005	BRAKE DRUM	1
19	0336007	WHEEL BRAKE	1
20	0336008	BATTERY	1
21	0333004	PARK BRAKE LEVER	1
22	0338306	LUG NUT	10
23	0354002	WHEEL & RIM	2
24	0315005	BATTERY CONNECTOR	2
25	0315006	BATTERY CABLES	2
26	0202001	WHEEL AXLE	2
27	0346207	HEX SCREW	2
28	0353102	FLAT WASHER	6
29	0338102	LOCK NUT	6
30	0346028	CARRIAGE BOLT	7
31	0338100	LOCK NUT	10
32	0353002	LOCK WASHER	6
33	0338101	LOCK NUT	14
34	0346102	HEX SCREW	2
35	0346214	HEX SCREW	2
36	0346127	CARRIAGE BOLT	4
37	0346006	HEX SCREW	4
38	0338103	LOCK NUT	1
39	0346107	HEX SCREW	4
40	0346404	HEX SCREW	2
41	0338104	LOCK NUT	8
42	0314007	DECAL-MADE w/ PRIDE	2
43	0346004	HEX SCREW	2
44	0553100	FLAT WASHER	2
45	0353001	LOCK WASHER	2
46	0336017	SEAL	2
47	0303001	BEARING	4
48	0338400	SPINDLE NUT	2
49	0336018	CAP	2
50	0436016	RUBBER MAT	1
51	0314011	DECAL-MAX CAPACITY	2
52	0340001	COTTER PIN	2



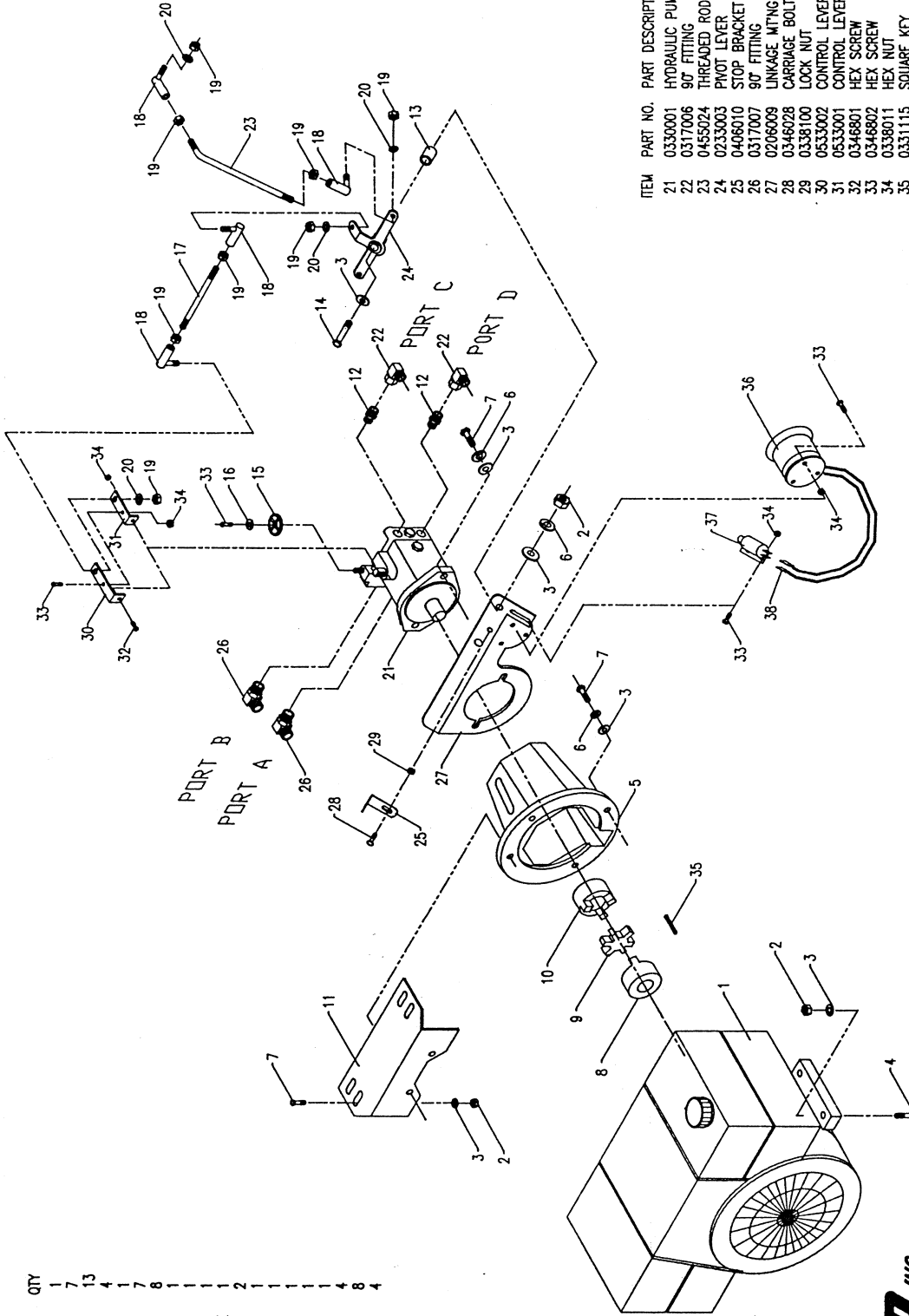
NOT SHOWN ON DWG

Salsco, Inc.
 LEADER BY DESIGN

105 SCHOOL HOUSE ROAD
 CHESHIRE, CONNECTICUT 06410
 PHONE 203-271-1682
 FAX 203-271-2596
 1-800-8-SALSCO

ASSEMBLY NO. 0001001	SUBASSEMBLY NO. 0119005	DWG NAME HOPPER & FRAME ASSEMBLY	CATALOG DWG NO. 0719005
----------------------	-------------------------	----------------------------------	-------------------------

ITEM	PART NO.	PART DESCRIPTION	QTY
1	0337001	8 HP MOTOR	1
2	0338102	LOCK NUT	7
3	0353102	FLAT WASHER	13
4	0346205	HEX SCREW	4
5	0413002	PUMP COUPLING	1
6	0353003	LOCK WASHER	7
7	0346204	HEX SCREW	8
8	0313003	SPYDER COUPLING	1
9	0313004	RUBBER COUPLING	1
10	0313005	SPYDER COUPLING	1
11	0506014	TANK MTING PLATE	1
12	0317002	JIC ADAPTER	2
13	0455042	SPACER	1
14	0346207	HEX SCREW	1
15	0332002	KNOB	1
16	0353099	FLAT WASHER	1
17	0455025	THREADED ROD	1
18	0335006	BALL JOINT	4
19	0338021	HEX NUT	8
20	0353002	LOCK WASHER	4



ITEM	PART NO.	PART DESCRIPTION	QTY
21	0330001	HYDRAULIC PUMP	1
22	0317006	90° FITTING	2
23	0455024	THREADED ROD	1
24	0233003	PIVOT LEVER	1
25	0406010	STOP BRACKET	1
26	0317007	90° FITTING	2
27	0206009	LINKAGE MTING BRKTT	2
28	0346028	CARRIAGE BOLT	1
29	0338100	LOCK NUT	1
30	0533002	CONTROL LEVER	1
31	0533001	CONTROL LEVER	1
32	0346801	HEX SCREW	1
33	0346802	HEX SCREW	7
34	0338011	HEX NUT	7
35	0331115	SQUARE KEY	1
36	0315007	BACK-UP ALARM	1
37	0315008	ELECTRIC SWITCH	1
38	0315003	TAB CONNECTOR	2

Salsco, Inc.
LEADER BY DESIGN

105 SCHOOL HOUSE ROAD
CHESHIRE, CONNECTICUT 06410
PHONE 203-271-1682
FAX 203-271-2596
1-800-8-SALSCO

ASSEMBLY NO. 0001001

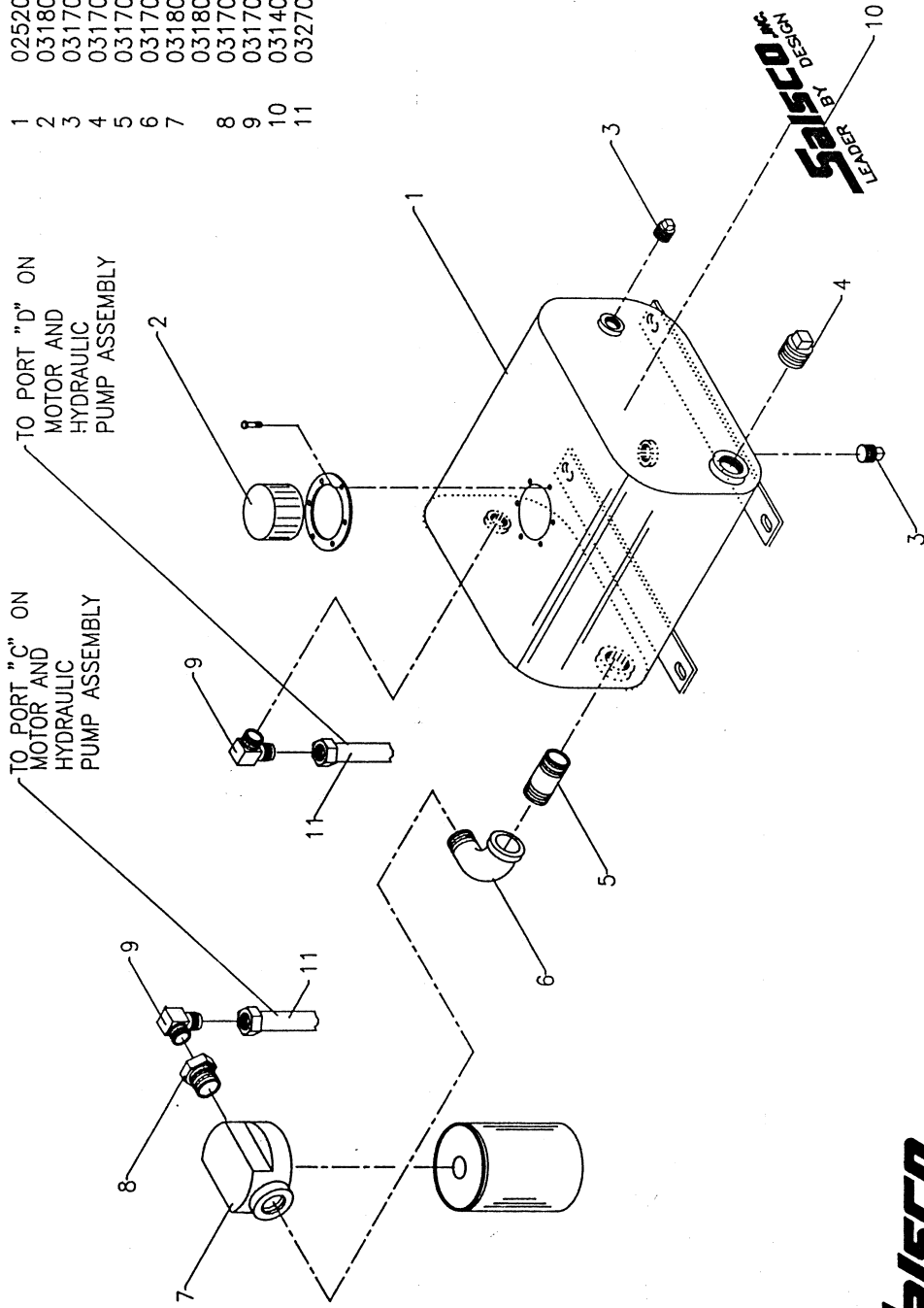
SUBASSEMBLY NO. 0137002

DWG NAME MOTOR & HYD. PUMP ASSEMBLY

CATALOG DWG NO. 0737002

I-22-90

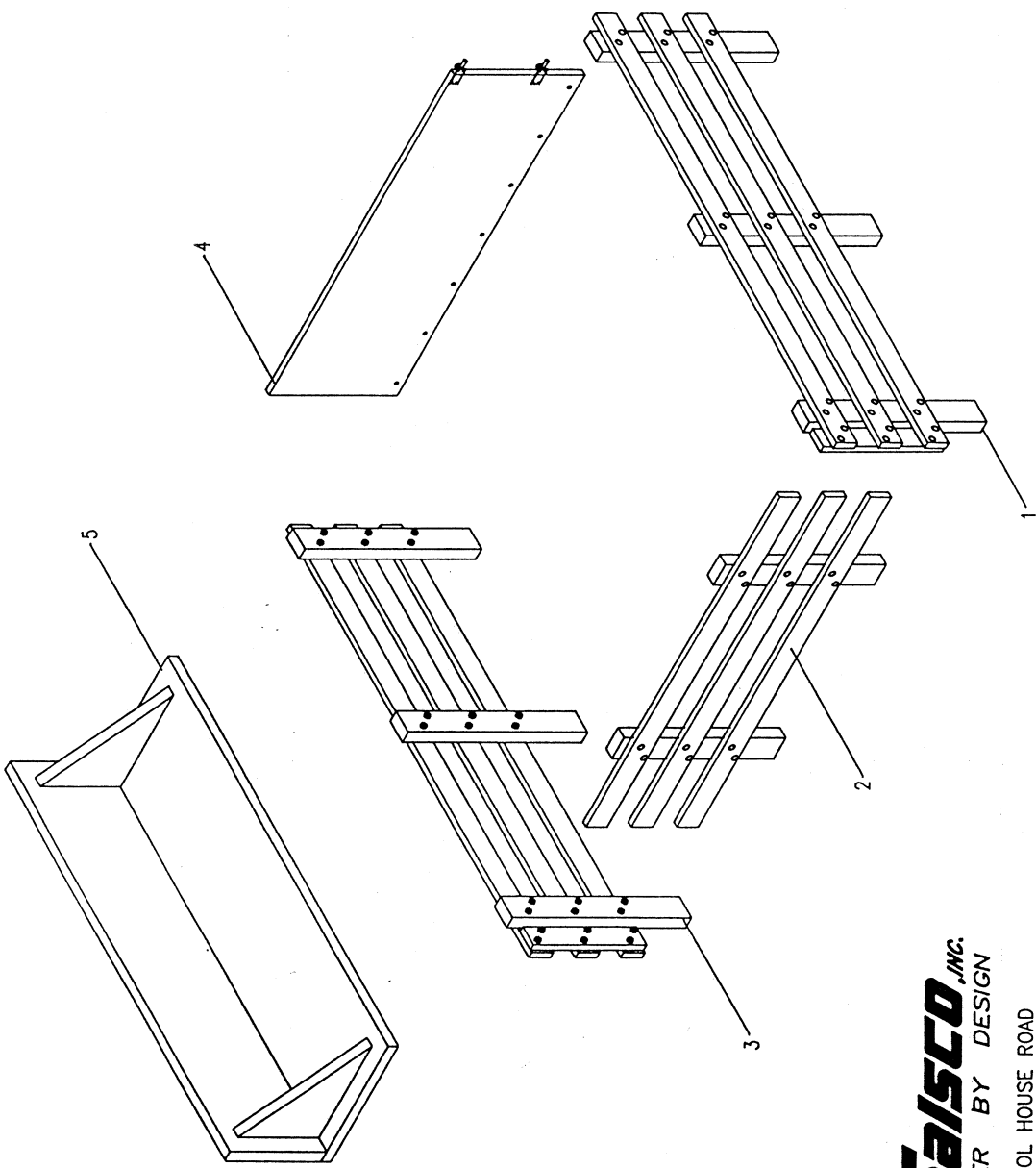
ITEM	PART NO.	PART DESCRIPTION	QTY
1	0252001	HYDRAULIC TANK	1
2	0318001	FILLER CAP KIT	1
3	0317009	3/8" PIPE PLUG	2
4	0317010	3/4" PIPE PLUG	1
5	0317004	PIPE NIPPLE	1
6	0317003	STREET ELBOW	1
7	0318002	FILTER & HOUSING	1
8	0318003	REPLACEMENT FILTER	1
9	0317011	REDUCER BUSHING	2
10	0317005	JIC ELBOW	2
11	0314004	SALSCO DECAL	2
	0327003	HOSE ASSEMBLY	2



SALSCO, INC.
LEADER BY DESIGN

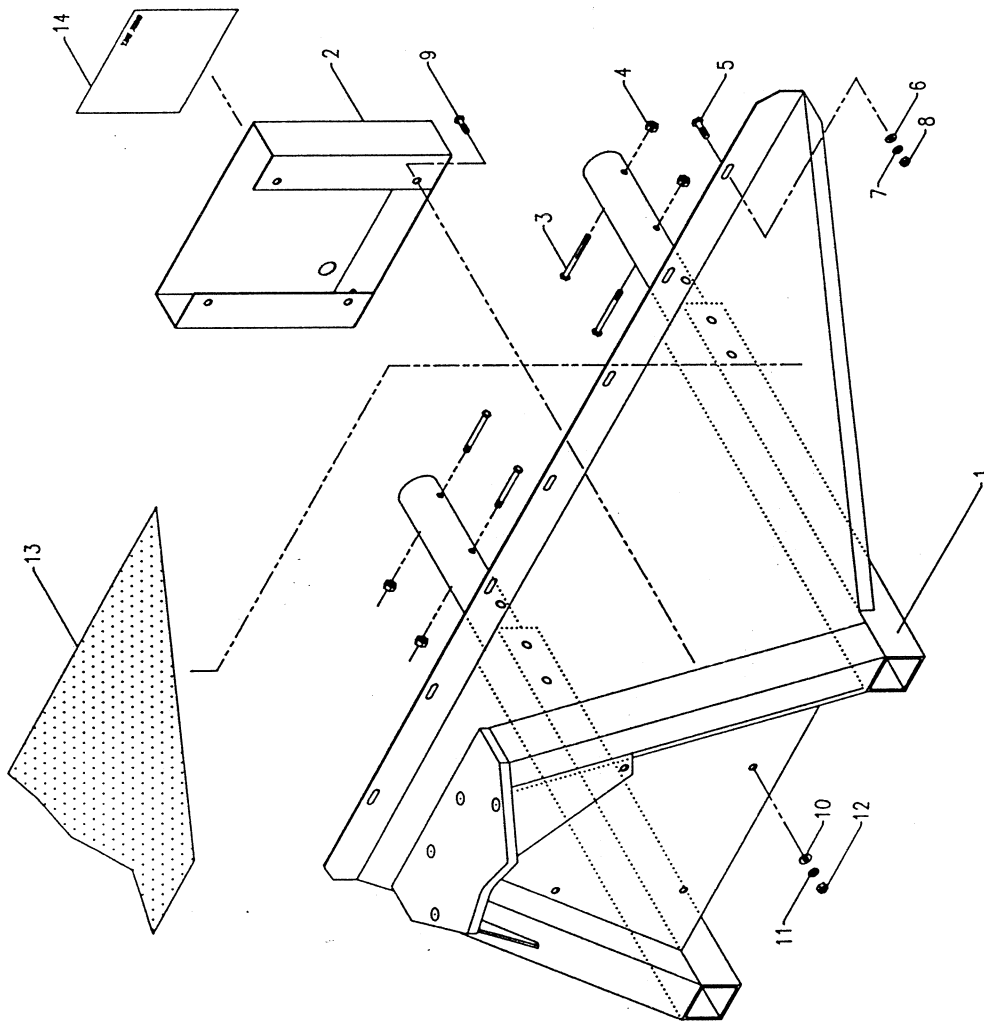
105 SCHOOL HOUSE ROAD
CHESHIRE, CONNECTICUT 06410
PHONE 203-271-1682
FAX 203-271-2596
1-800-8-SALSCO

ITEM	PART NO.	PART DESCRIPTION	QTY
1	0136015	WOODEN RACK-RIGHT	1
2	0136014	WOODEN RACK-BACK	1
3	0136013	WOODEN RACK-LEFT	1
4	0136012	SEPARATOR BOARD	1
5	0547002	SIDE SEAT	2



SALSCO, INC.
LEADER BY DESIGN

105 SCHOOL HOUSE ROAD
 CHESHIRE, CONNECTICUT 06410
 PHONE 203-271-1682
 FAX 203-271-2596
 1-800-8-SALSCO



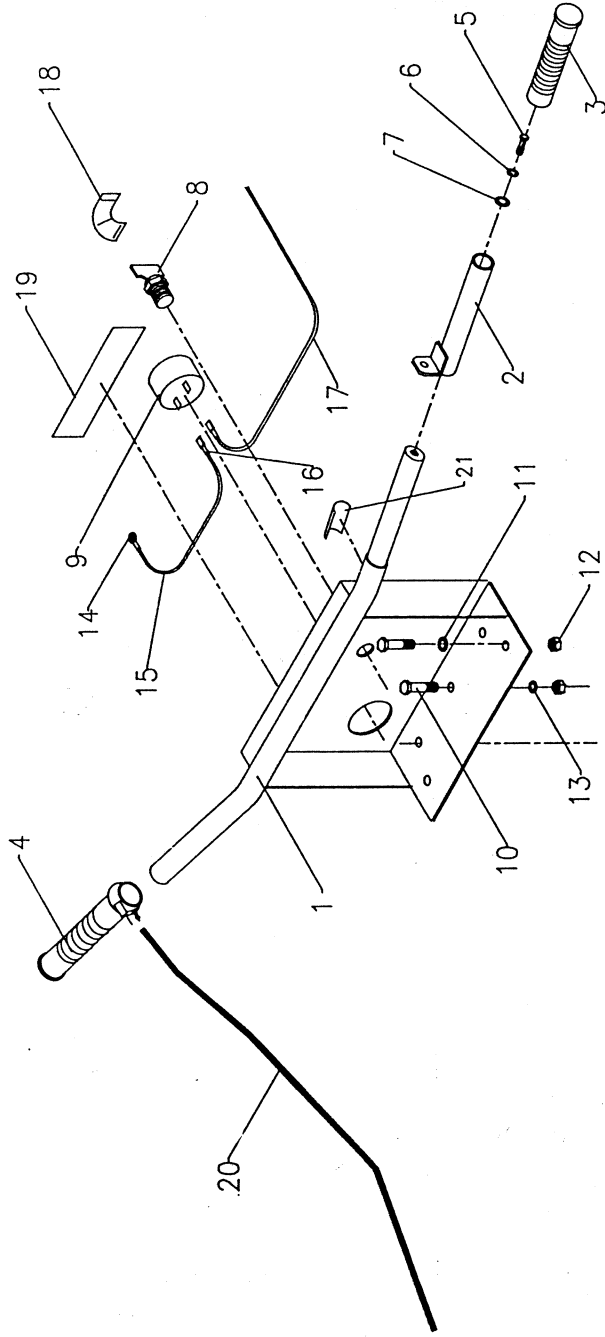
ITEM	PART NO.	PART DESCRIPTION	QTY
1	0219002	FRONT FRAME	1
2	0536009	CLIP BOARD HOLDER	1
3	0346209	HEX SCREW	6
4	0338003	LOCK NUT	6
5	0346028	CARRIAGE BOLT	7
6	0353100	FLAT WASHER	7
7	0353001	LOCK WASHER	7
8	0338001	LOCK NUT	7
9	0346102	HEX SCREW	4
10	0353101	FLAT WASHER	4
11	0353002	LOCK WASHER	4
12	0338002	LOCK NUT	4
13	0336004	ABRASIVE NON SKID	1
14	0314005	SAFETY RULES DECAL	1

Saisco, Inc.
 LEADER BY DESIGN

105 SCHOOL HOUSE ROAD
 CHESHIRE, CONNECTICUT 06410
 PHONE 203-271-1682
 FAX 203-271-2596
 1-800-8-SALSCO

ITEM	PART NO.	PART DESCRIPTION	QTY
1	0223005	HANDLE BARS	1
2	0223004	CONTROL HANDLE	1
3	0332003	HANDLE GRIP	1
4	0308001	THROTTLE GRIP	1
5	0346004	HEX SCREW	1
6	0353001	LOCK WASHER	1
7	0353102	FLAT WASHER	1
*8	0315020	KEY SWITCH	1
9	0320001	HOURLY METER	1
10	0346203	HEX SCREW	5
11	0353102	FLAT WASHER	2
12	0338102	LOCK NUT	5
13	0353003	LOCK WASHER	3
14	0315002	EYE CONNECTOR	1
15	0315013	WHITE WIRE	5 IN.
16	0315003	TAB CONNECTOR	2
17	0315011	BLUE WIRE	16 IN.
18	0314008	ON OFF DECAL	1
19	0314005	SAFETY RULES DECAL	1
20	0308002	THROTTLE CABLE	1
21	0314010	DECAL FOR.-REVERSE	1

* = SUPPLIED WITH KOHLER MOTOR

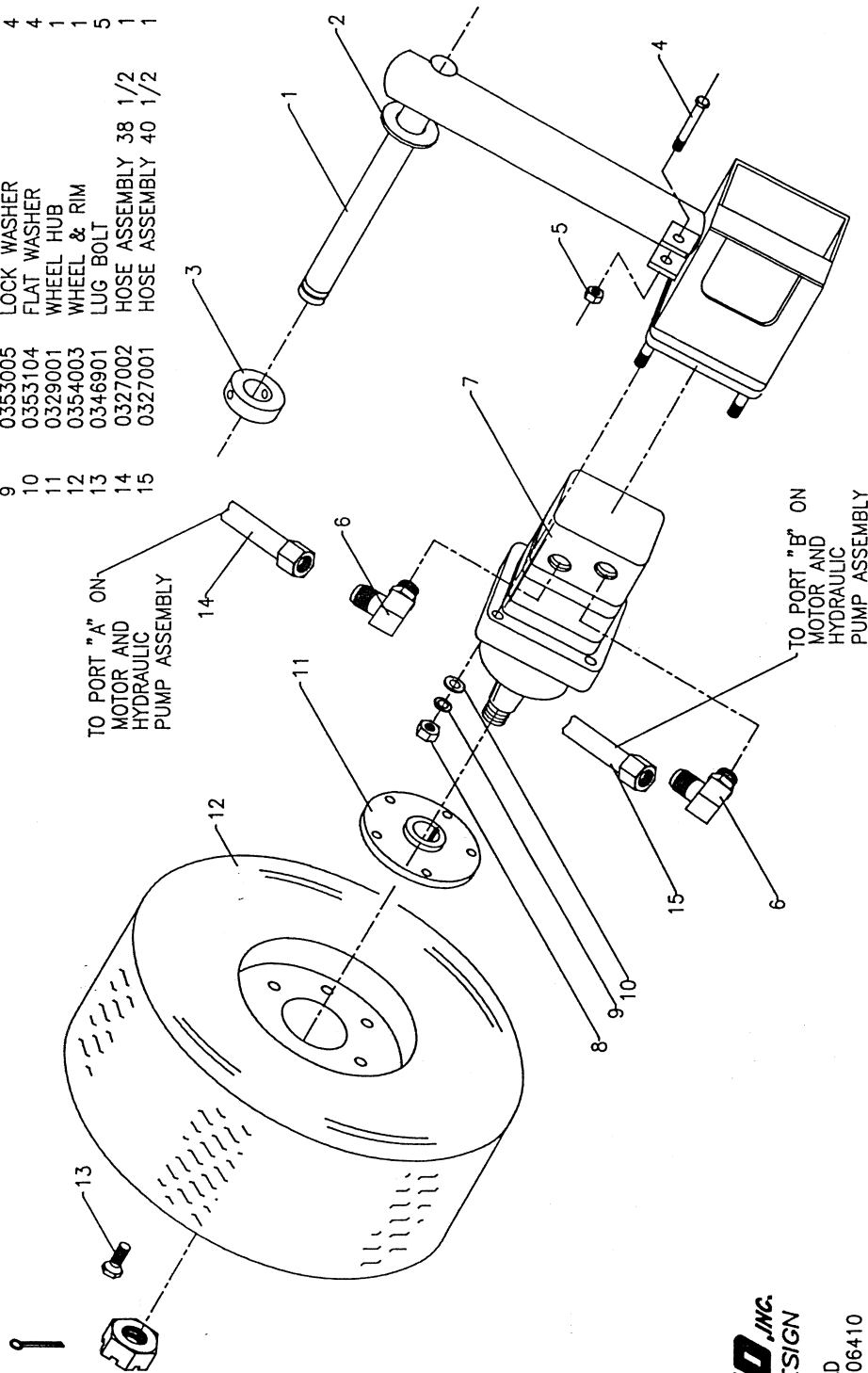


Saisco, Inc.
LEADER BY DESIGN

105 SCHOOL HOUSE ROAD
 CHESHIRE, CONNECTICUT 06410
 PHONE 203-271-1682
 FAX 203-271-2596
 1-800-8-SALSCO

ASSEMBLY NO. 0001001	SUBASSEMBLY NO. 0123006	DWG NAME HANDLE BAR ASSEMBLY	CATALOG DWG NO. 0723006
----------------------	-------------------------	------------------------------	-------------------------

ITEM	PART NO.	PART DESCRIPTION	QTY
1	0206012	WHEEL SUPPORT BRACKET	1
2	0353102	FLAT WASHER	1
3	0411003	SET COLLAR	1
4	0346210	HEX SCREW	1
5	0338102	LOCK NUT	1
6	0317008	ELBOW FITTING	2
7	0330002	HYDRAULIC MOTOR	1
8	0338104	LOCK NUT	4
9	0353005	LOCK WASHER	4
10	0353104	FLAT WASHER	4
11	0329001	WHEEL HUB	1
12	0354003	WHEEL & RIM	1
13	0346901	LUG BOLT	5
14	0327002	HOSE ASSEMBLY 38 1/2	1
15	0327001	HOSE ASSEMBLY 40 1/2	1



Salsco, Inc.
LEADER BY DESIGN

105 SCHOOL HOUSE ROAD
 CHESHIRE, CONNECTICUT 06410
 PHONE 203-271-1682
 FAX 203-271-2596
 1-800-8-SALSCO

WARRANTY POLICY

Your Salsco Commercial or Turf Equipment product is a commercial type product and is normally manufactured and sold for commercial or industrial use. Salsco will, for the original purchaser, for two (2) years from the date of purchase (90 days if used for rental purposes) repair, replace, free of charge, any part or parts found to be defective in material, workmanship or both. Any transportation charges to be borne by the purchaser.

If, during the Warranty Period, the product does not function properly due to defect, simply contact Salsco and follow the warranty procedures on page 19.

SALSCO, INC.
105 School House Road
Cheshire, CT 06410
(203) 271-1682
Fax: (203) 271-2596
1-800-8SALSCO

This warranty does not include incidental or consequential damages and is exclusive of any implied warranties.

This warranty does not include normal maintenance parts, including, but not limited to spark plugs, filters, lubricants, etc.

This warranty does not include parts or components which are covered under the original manufacturers warranty, including, but not limited to engine and differential.

BE SURE TO READ AND UNDERSTAND THIS MANUAL BEFORE OPERATING

SALSCO'S WARRANTY PROCEDURE

In order for Salsco to process your warranty claims (see copy on page-20) in a timely manner you must follow the simple procedures listed below:

1) MACHINE OR PART FAILURE

- a) Call our service department for easy instruction on how to correct or repair the problem. Preventive maintenance will also be suggested.
- b) Fill in all information requested on warranty claim form (date of purchase, company name, address, etc.).
- c) List all parts used. Make sure part numbers are correct. You can obtain these from your manual. Any parts that you believe to be defective or any parts that break should be retained for possible inspection until after the warranty has been paid or part has been replaced.

Please make note that Salsco is not responsible for the warranty or failure of engines or hydraulic pumps. Please call the manufacturer directly.

If you have any questions, please do not hesitate to call us. Our toll free number is 1-800-8SALSCO.

BE SURE TO READ AND UNDERSTAND THIS MANUAL BEFORE OPERATING

WARRANTY CLAIM

SALSCO, INC. - 105 SCHOOL HOUSE ROAD, CHESHIRE, CT 06410
PHONE: (203) 271-1682 FAX: (203) 271-2596

END-OWNER: _____ PHONE# () _____

ADDRESS: _____

PURCHASED FROM: _____ PHONE# () _____

ADDRESS: _____

DATE FAILED: _____ DATE PURCHASED: _____ INVOICE # _____

MODEL# _____ SERIAL# _____ HOURS USED: _____

PROBABLE CAUSE OF FAILURE OR PROBLEM:(word defective not sufficient)

WORK PERFORMED/COMMENTS ON REPAIR:

PART #	DESCRIPTION	QTY	PRICE EACH	LABOR

PREVENTIVE MAINTENANCE SUGGESTED AND BY WHOM:

OFFICE USE ONLY

DT APPRVD: _____ DT RJCTD: _____ ENTRD A/R: _____ ENTRD DB: _____

DEALER D/R: _____ WARRANTY CARD: _____

PART(S) TOTAL: _____ LABOR TOTAL: _____ TOTAL: _____

APPROVED/REJECTED BY: _____
NAME TITLE

REASON FOR REJECTION:

Salsco, INC.

LEADER BY DESIGN

105 SCHOOL HOUSE ROAD
CHESHIRE, CONNECTICUT 06410