

MODEL 6200965 ELECTRIC WINCH AND BOOM KIT

INSTALLATION AND OPERATORS MANUAL



WARNING

You must thoroughly read and understand this manual before operating the equipment, paying particular attention to the Warning & Safety instructions.

INSTALLATION

INSTALLING WINCH AND BOOM

Remove the Boom Hole Cover from the Left Side Guard and discard. See FIG. 1.

To install the Boom Socket Weldment to the Left Side Guard, first remove the four screws on the left side Guard. See FIG. 1. Discard the screws, nuts and washers. Next remove the socket head screws that attach the left side guard to the main cabinet. See FIG. 2. Discard the screws, but save the flat washers and lockwashers. Attach the Boom Socket Weldment to the Left Side Guard with the B371611 3/8-16 x 1" Socket Head Screws in the Bag Assembly reusing the Flat Washers and lockwashers. Install the four button head socket cap screws B371616 3/8-16 x 1", the eight 3/8" flat washers K370001 and the four locknuts J377100 3/8-16 from the Bag Assembly. See Page 4 Exploded Assembly.

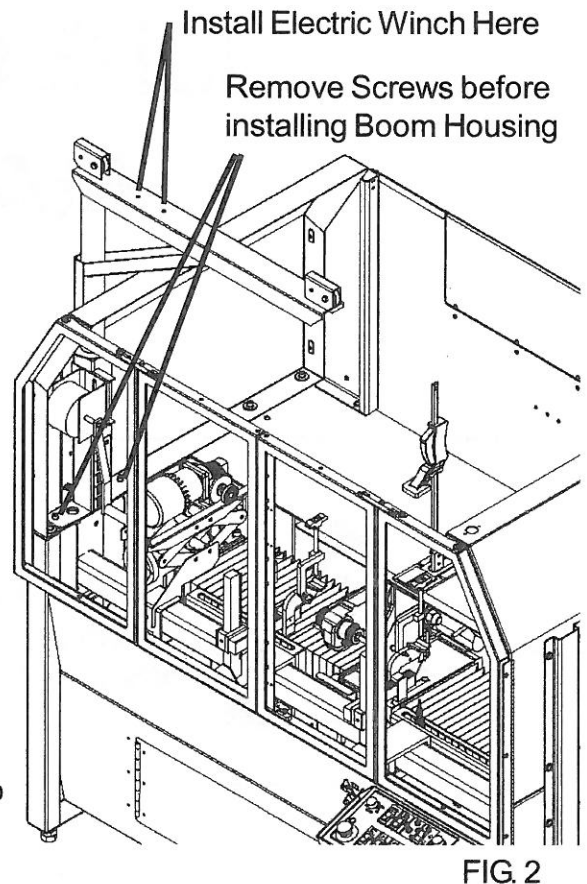
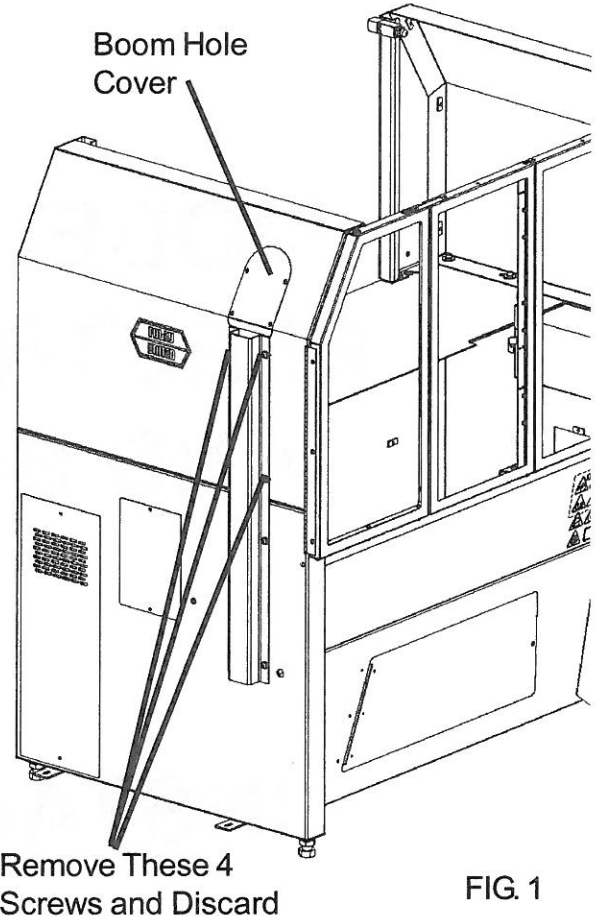
Install the Electric Winch Assembly onto the Boom with B371211 3/8-16 x 3/4 Socket Head Cap Screw (2) and J377100 3/8-16 Lock Nut. Note the motor position in FIG. 3.

Plug in the winch and feed out approximately five feet of cable. Pass the Hook and Cable from the winch through the front pulley bracket on the boom. Install the Pulley 3709795 onto the front boom bracket with B372801 3/8-16 x 1-3/4 Hex Head Cap Screw and J377100 3/8-16 Locknut.

Install the Boom Assembly into the Boom Socket Weldment.

Install the Decal 6309037 onto the Boom Socket Weldment as shown on Page 6 Exploded Assembly.

NOTE: This figure shows the manual winch. It is used here to designate the Boom Socket fasteners only.



INSTALLATION (Continued)

Install Strain Relief 3707009 onto the Receptacle Cord 6329096 and install into the .875 hole at the upper left hand side of the main cabinet. This hole has a plastic plug installed from the factory. The plug should be removed and discarded. Leave 12" of cord outside the cabinet.

Run the Receptacle Cord across the inside of the cabinet on the bottom of the lower welded panel using the (3) 3707224 Cable Tie Mounts and the (3) 3707255 Cable Ties.

Remove the .875 Hole Plug from the lower panel as shown in FIG. 4 and install Strain Relief 3707009.

Put the Receptacle Cord through the Strain Relief and Tighten.

Connect the receptacle Cord wires to the Control Panel on the Touch Screen model as follows: Brown Wire to Terminal TB2-06, Light Blue Wire to Terminal TB2-07, Green w/Yellow Strip Wire to Terminal TB2-08. See FIG. 6 on page 4.

For the Manual Control model connect the receptacle cord wire as follows: Brown Wire to Terminal 139TGB-25, Light Blue Wire to Terminal 139TBB-23, Green w/Yellow Strip Wire to Terminal 139TBGRD. See FIG. 6 on page 5.

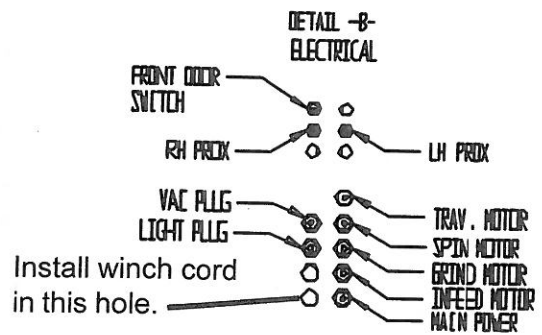


FIG. 4

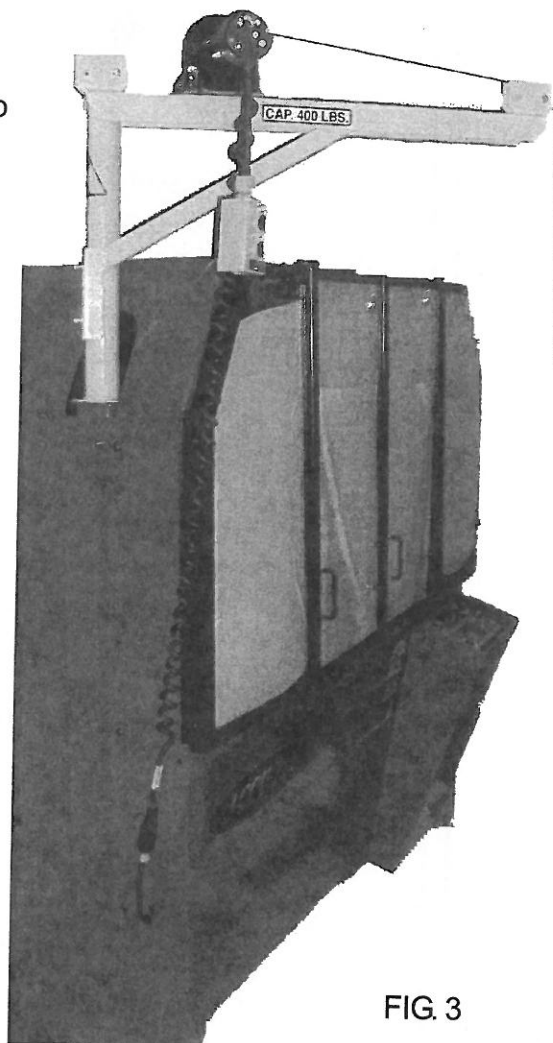


FIG. 3

WIRING CONNECTION FOR GRINDER WITH TOUCH SCREEN

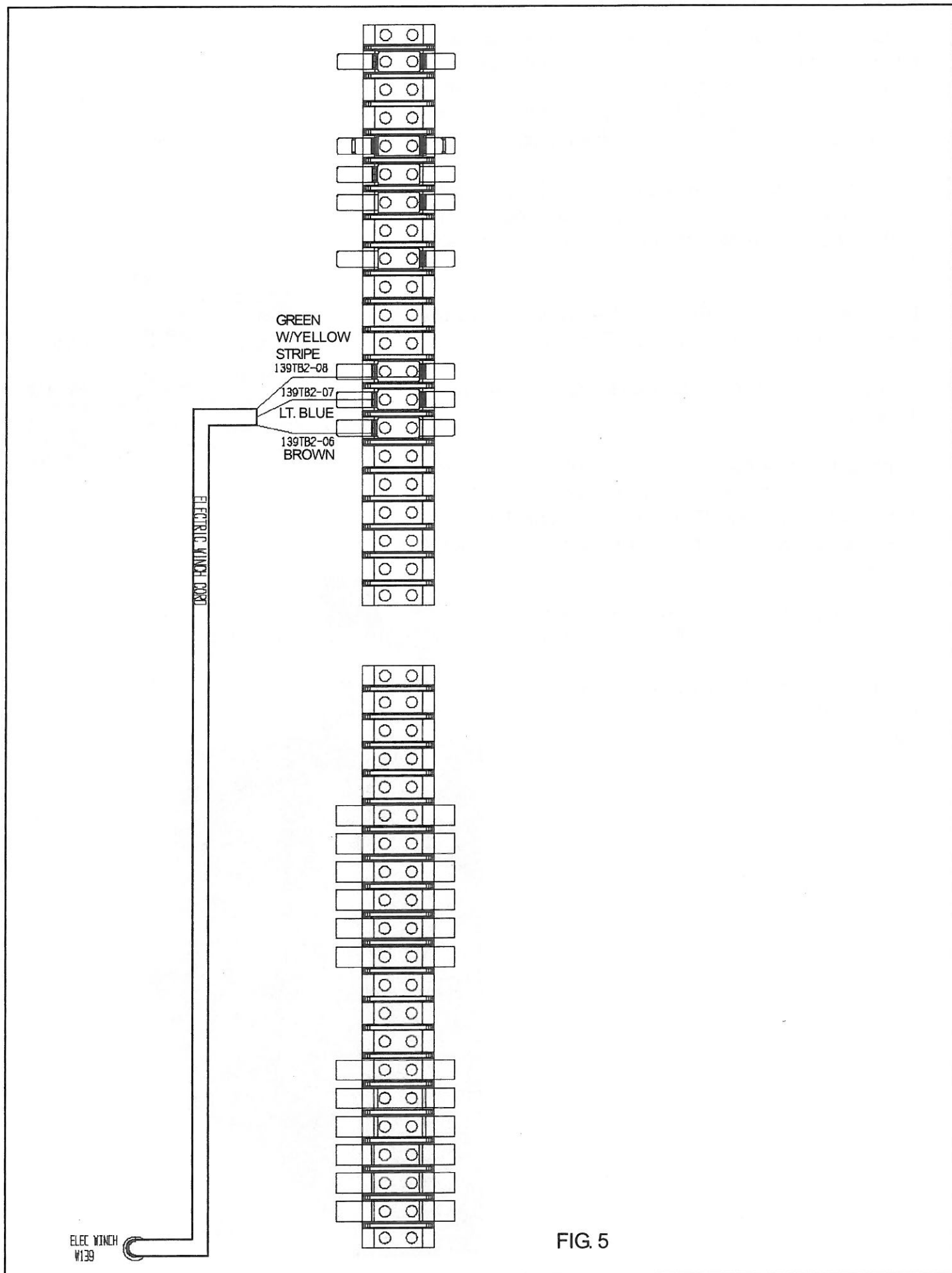
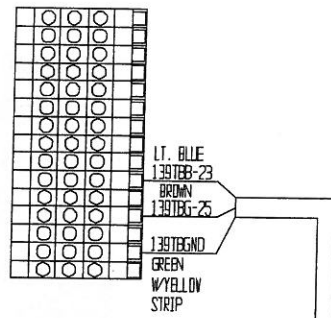


FIG. 5

WIRING CONNECTION FOR GRINDER WITH MANUAL CONTROLS



OPTION
ELECTRIC WINCH
W139

FIG. 5

OPERATION

LIFTING THE REEL INTO POSITION

Position the reel in front of the grinder on the floor so the front of the mower faces in the same direction as the front of the machine. See FIG. 7. Hook the winch spreader bar onto the reel. The clamps on the spreader bar should be spaced evenly along the mower, so they do not slide as the mower is being raised. Stand between the mowing unit and the winch and raise the mowing unit into place. For walker greensmowers, position the mowing unit so the handle points toward the winch. Then stand between the mowing unit and the grinder frame to winch the mowing unit to height. Then walk around the mowing unit and guide it into position.

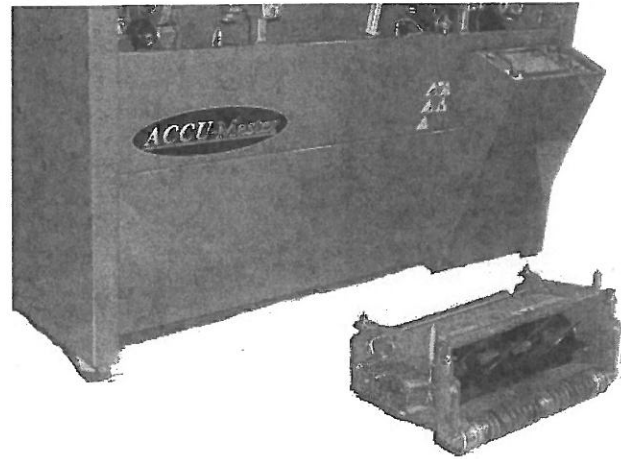


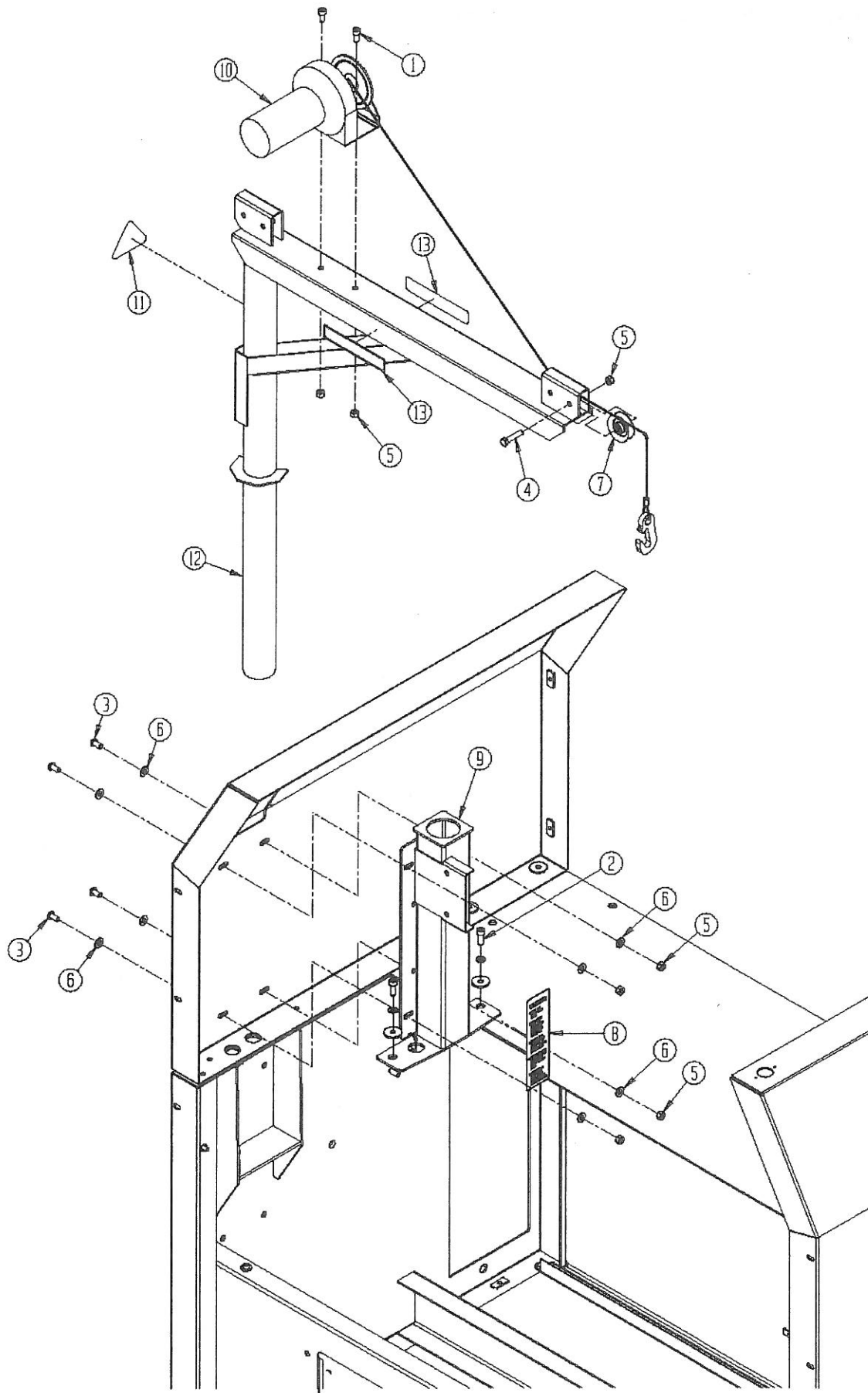
FIG. 7



THE OPERATOR SHOULD BE POSITIONED AWAY FROM THE REEL. DO NOT STAND UNDERNEATH THE REEL AS IT IS BEING RAISED. GUIDE REEL AT ARMS LENGTH.

This page intentionally blank for note taking.

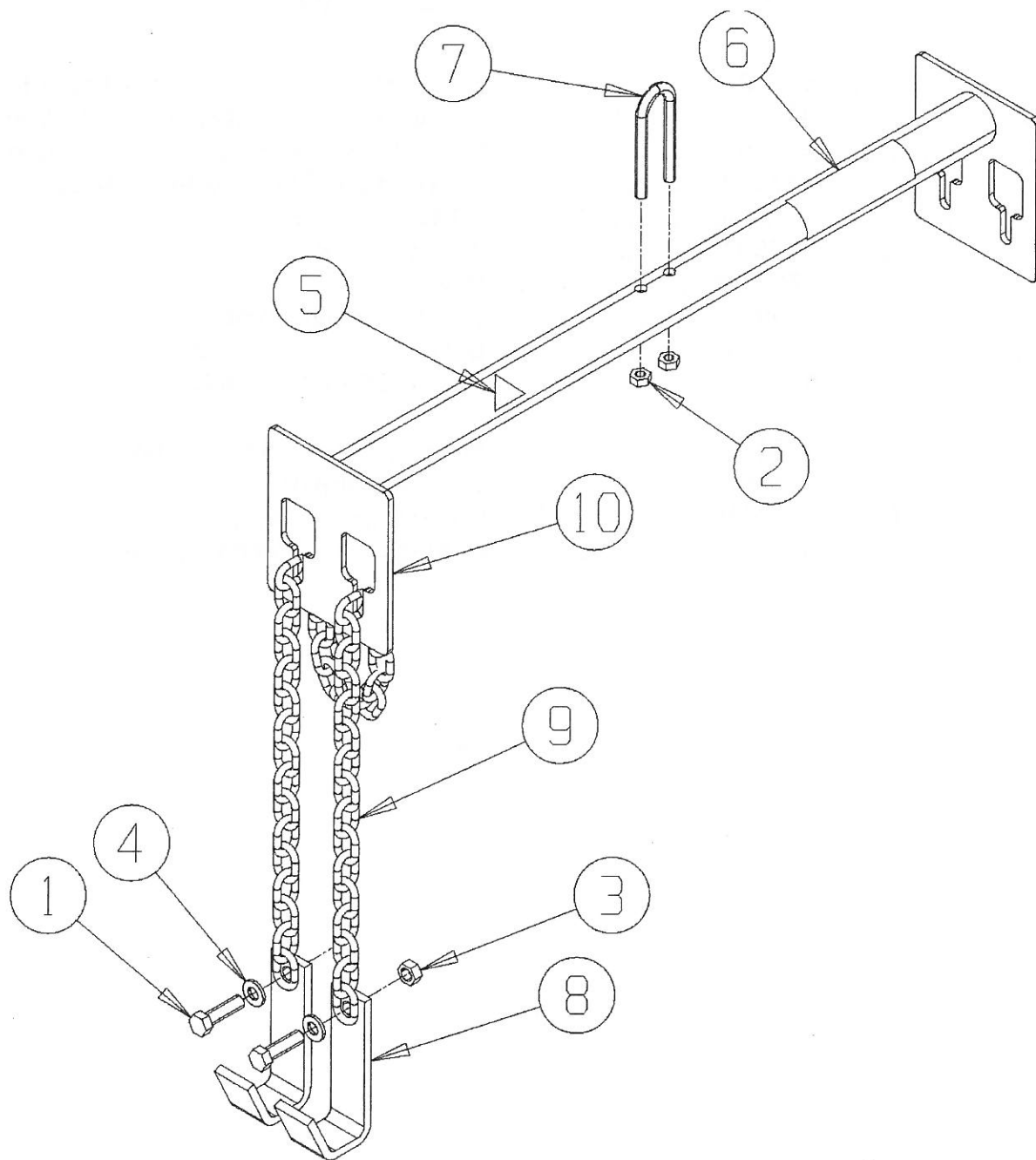
EXPLODED VIEW



PARTS LIST

<u>DIAGRAM NUMBER</u>	<u>PART NUMBER</u>	<u>DESCRIPTION</u>
1	B371211	Socket Head Cap Screw 3/8-16 x 3/4" Long
2	B371611	Socket Head Cap Screw 3/8-16 x 1" Long
3	B371616	Button Head Cap Screw 3/8-16 x 1" Long
4	B372801	Hex Head Cap Screw 3/8-16 x 1 3/4 Long
5	J377100	3/8-16 Nylon Locknut
6	K370001	3/8 Flat Washer
7	3709795	Pulley
8	6309037	Winch Warning Decal
9	6329541	Boom Support Weldment
10	6509546	Electric Winch Assembly
11	3708456	Warning Decal - Boom Capacity
12	6059527	Boom Weldment
13	6309036	Boom Capacity Decal
.....	6329096	Cord - Electric Winch Receptacle (Not Shown)

EXPLODED VIEW



PARTS LIST

<u>DIAGRAM NUMBER</u>	<u>PART NUMBER</u>	<u>DESCRIPTION</u>
1	B372011	Socket Head Cap Screw 3/8-16 x 1-1/4 Long
2	J317100	5/16-18 Nylon Locknut Full
3	J377100	3/8-16 Nylon Locknut Full
4	3599028	Flat Washer .375 x 1.0 x .188 Thick
5	3708456	Load Capacity Warning Decal
6	3708856	Spreader Bar Decal
7	3709316	U-Bolt 5/16-18 x 3
8	6009102	Grab Hook
9	6329061	Chain 44.6"
10	6509590	Spreader Bar Weldment

