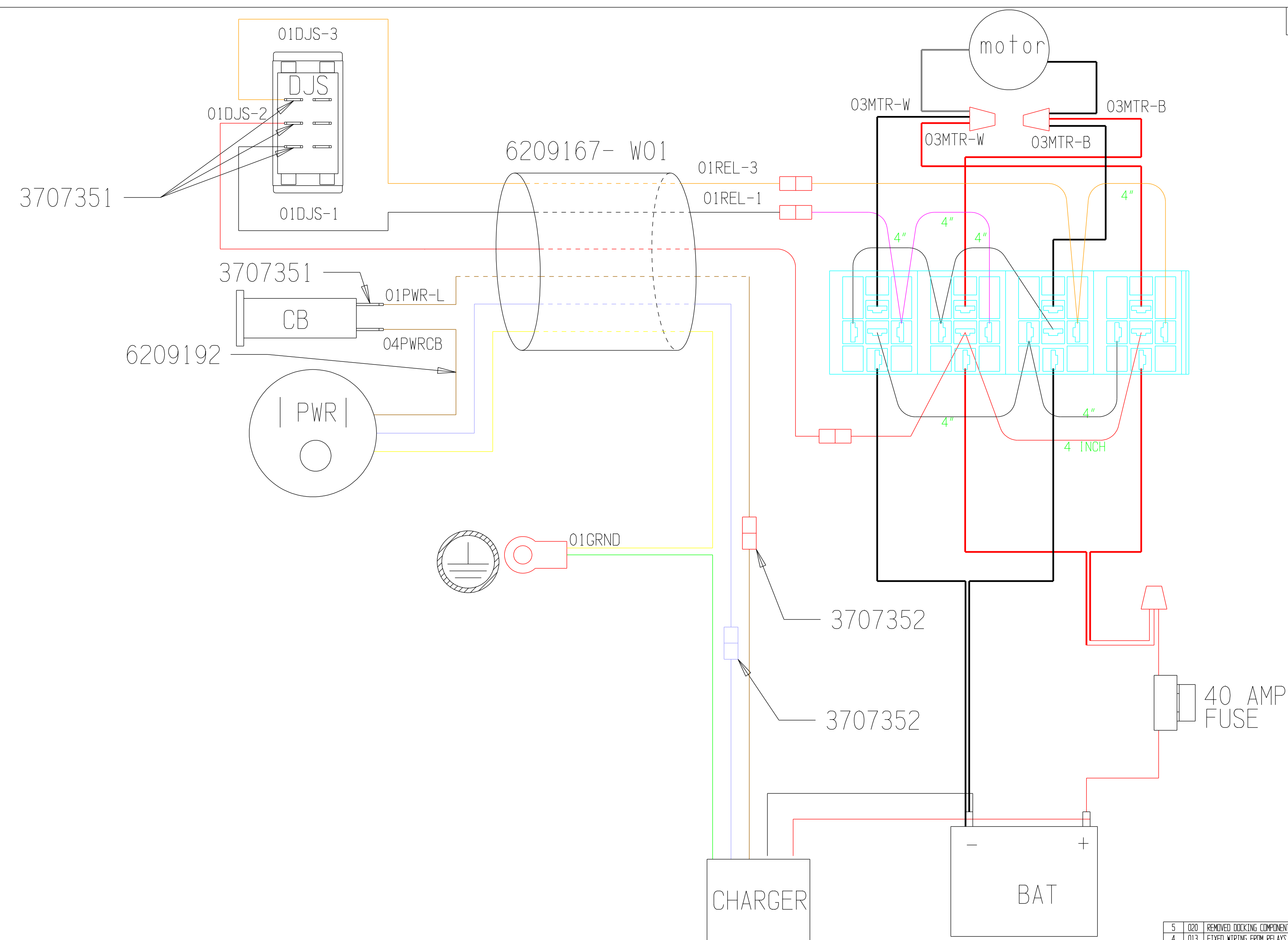


PART NO. 6204980



5	020	REMOVED DOCKING COMPONENTS & HARNESSSES	GAV	7-17-08
4	013	FIXED WIRING FROM RELAYS TO MOTOR TO MATCH HARNESS	GAV	4-24-08
3	036	ADDED 40 AMP FUSE ON BATTERY	JHD	10-10-07
2	031	RELEASE FOR PRODUCTION	JHD	9-26-07
1	XXX	ADDED CB, 6209192 WAS 6209166, GROUND SYMBOL	GAV	8-17-07
REV	ECO	ISSUE AND CHANGE RECORD	BY	DATE

LIMITS IF NOT SPECIFIED		MATERIAL
.0	± .03	
.00	± .01	
.000	± .005	HEAT TREATMENT
ANGULAR	± 1°	
DIA. TOLERANCE FOR DRILLED HOLES		FINISH
0 - .125	+ .002 - .000	
.126 - .500	+ .003 - .000	
.501 - LARGER	+ .005 - .000	
DO NOT SCALE		
SCALE	SPEC. NO.	

620 WORK STATION WIRING DIAGRAM 120V

DR:	G. VEENENDALL	4-24-07	PART NO.	6204980
CK:	J. DIECK	4-24-07		
APPR:	J. DIECK	4-24-07		

FOLEY-UNITED