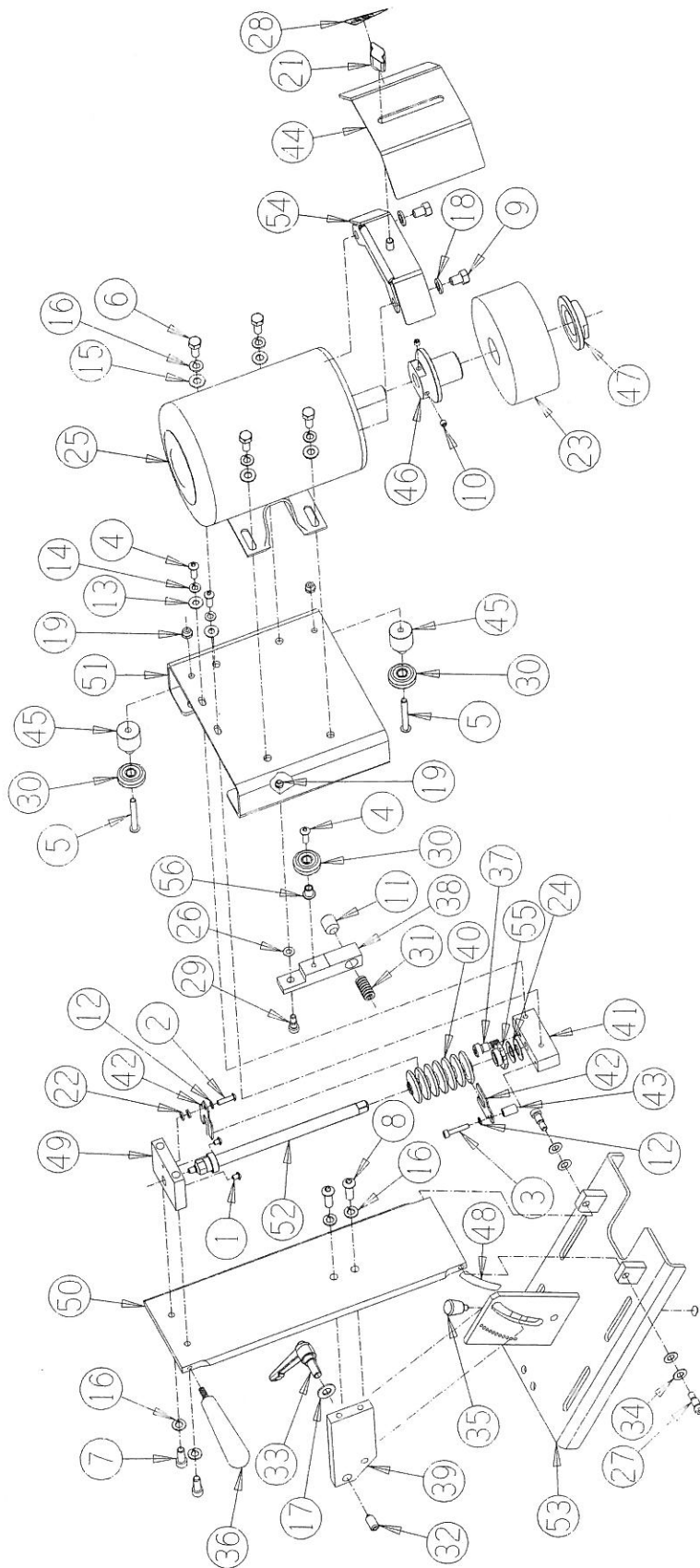


PARTS LIST (Continued)

4650520 GRINDING HEAD ASSEMBLY



PARTS LIST (Continued)

4609520 GRINDING HEAD ASSEMBLY

<u>DIAGRAM NUMBER</u>	<u>PART NUMBER</u>	<u>DESCRIPTION</u>
1	B190402	10-24 x 1/4" Long Round Head Machine Screw
2	B191213	10-24 x 3/4" Long Button Head Socket Cap Screw
3	B191611	10-24 x 1" Long Socket Head Cap Screw
4	B251216	1/4-20 x 3/4" Long Button Head Socket Cap Screw
5	B253216	1/4-20 x 2" Long Button Head Socket Cap Screw
6	B311201	5/16-18 x 3/4" Long Hex Head Cap Screw
7	B311611	5/16-18 x 1" Long Socket Head Cap Screw
8	B311613	5/16-18 x 1" Long Button Head Socket Cap Screw
9	B371201	3/8-16 x 3/4" Long Hex Head Cap Screw
10	C250460	1/4-28 X 1/4" Long Socket Set Screw
11	C621060	5/8-18 x 5/8" Long Socket Head Set Screw
12	K191501	#10 1/4 Split Lockwasher
13	K250001	1/4 Flat Washer SAE
14	K251501	1/4 Split Lockwasher
15	K310001	5/16 Flat Washer SAE
16	K311501	5/16 Split Lockwasher
17	K370101	3/8 Heavy Flat Washer
18	K371501	3/8 Split Lockwasher
19	J257000	1/4-20 Locknut Jam with Nylon Insert
21	80169	2-Prong Knob - 5/16-18 Female
22	3589127	Spacer Washer .37 OD x .19 ID x .06 Thick
23	3700046	Straight Cup Grinding Wheel - 5 x 2 x 1.25 Bore
24	3706021	Conical Washer
25	3707960	1/2 HP Motor
26	3708103	Conical Washer .50 OD x .26 ID x .02 Thick
27	3708425	Shoulder Bolt 5/16 Dia. x 3/8 Long
28	3708461	3600 RPM Warning Decal
29	3708543	Shoulder Bolt .5/16 Dia. x 5/16 Long
30	3708657	Dual Vee Roller
31	3708658	Compression Spring
32	3708907	1/2-13 Ball Nose Spring Plunger
33	3708908	3/8-16 x .78" Long Adjustable Handle
34	3708912	Conical Washer .63 OD x .23 ID x .02 Thick
35	3708914	Spring loaded Plunger
36	3709384	1/4-20 x 3/4" Long Knob
37	3709809	Shoulder Bolt 3/8 Dia. x 3/8 Long
38	4609011	Roller Pivot Arm
39	4609013	Angle Clamp Plate
40	4609015	460 Boot
41	4609016	Infeed Screw Block
42	4609033	Boot Retainer
43	4609043	Spacer - .20 x .375 x .62 Long
44	4609048	Spact Guard Cover
45	4609069	V Roller Bushing - 1.46 Long
46	4609084	Grinding Wheel Adapter
47	4609085	Grinding Wheel Flange
48	4609086	Grind Angle Decal
49	4609147	Infeed Shaft Support Block
50	4609148	V-Roller Plate
51	4609504	Motor/Bearing Plate Weldment
52	4609519	Infeed Left Hand ACME Shaft Assembly
53	4609527	Adjustable Base Plate
54	4609570	Spark Guard Bracket Weldment
55	6009024	1/2-10 ACME Backlash Nut
56	6609028	V Roller Short Bushing