

# **Salsco, INC.**

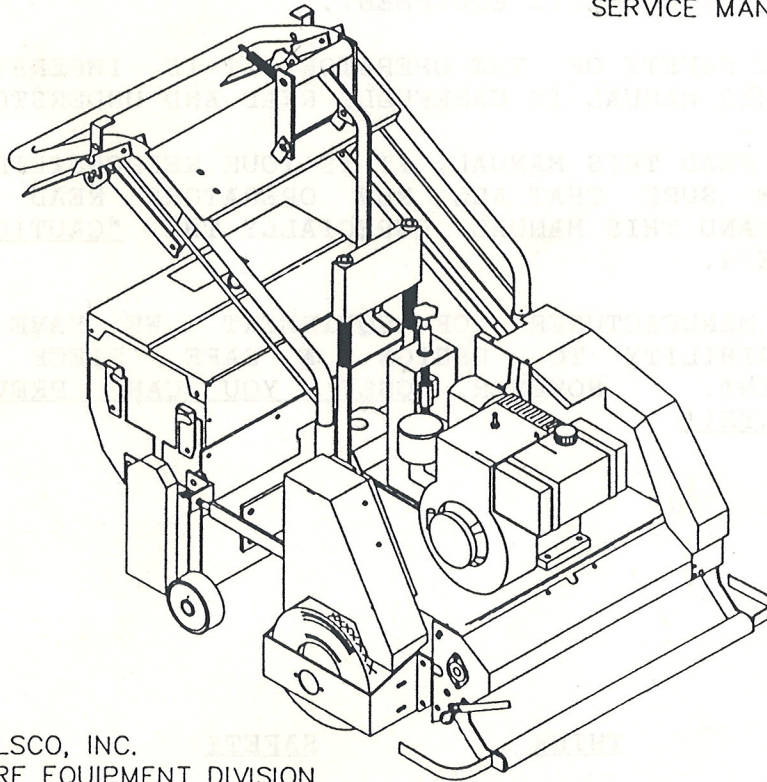
LEADER BY DESIGN

---

---

MODEL 355 SEEDER SLICER

OWNER'S MANUAL  
PARTS MANUAL  
SERVICE MANUAL



SALSCO, INC.  
TURF EQUIPMENT DIVISION  
105 SCHOOL HOUSE ROAD  
CHESHIRE, CONN. 06410 USA

---

---

\* NOTE: PLEASE READ "CAUTIONS" IN THIS MANUAL

STATEMENT OF FACT

YOU HAVE JUST PURCHASED THE HIGHEST QUALITY, MOST MANEUVERABLE SEEDING MACHINE ON THE MARKET TODAY. THIS UNIT HAS THE ABILITY TO MEET EXACT SEEDING STANDARDS AND PERFORM FOR YEARS WITH MINIMUM DOWN TIME. HOWEVER, IT CAN NOT READ NOR WILL IT UNDERSTAND THIS MANUAL, NO MATTER HOW LONG YOU LEAVE IT ON TOP OF THE MACHINE. IT IS YOUR RESPONSIBILITY TO READ AND UNDERSTAND IT. SHOULD YOU CHOOSE NOT TO READ AND UNDERSTAND AND PASS ALONG THE INFORMATION PROVIDED YOU, PLEASE EXPECT EQUIPMENT FAILURE AND POSSIBLE INJURIES TO PERSONS AROUND THIS EQUIPMENT.

FOR THE SAFETY OF THE OPERATOR, IT IS IMPERATIVE THAT THIS MANUAL IS CAREFULLY READ AND UNDERSTOOD.

HAVING READ THIS MANUAL, IT IS YOUR RESPONSIBILITY TO BE SURE THAT ALL NEW OPERATORS READ AND UNDERSTAND THIS MANUAL ESPECIALLY THE "CAUTIONS" ON PAGE 4.

AS A MANUFACTURER OF EQUIPMENT WE HAVE A RESPONSIBILITY TO DESIGN A SAFE PIECE OF EQUIPMENT. HOWEVER, ONLY YOU CAN PREVENT ACCIDENTS!!

THINK

SAFETY

030189

DESCRIPTION

The Salsco Slicer Seeder Model 355 is the only ALL TERRAIN\* Slicer Seeder on the market today.

It has the ability to seed within a 25" radius and will handle inclines up to 40 degrees\*. This unit will plant rows 2" apart creating a 20" seed bed with each pass.

The unit has the ability to slice and seed at the rate of 20,000 sq. feet per hour.

The slicer blades are adjustable to a maximum depth of 2 1/4". Please keep in mind that for the best germination seed should be set just below soil surface, approximately 1/4" depth. The seed passes from the hopper through a diamond shaped metering device and comes out alongside the slicer disc which is riding in the slit created by the Cutter Blade. The seed is then deposited in that slit. Due to our 2" center line of rows, 6-8 seeds per linear inch should be more than sufficient for proper seed bed.

The slicer discs are mounted on a pivoting hopper allowing them to follow the slit created by the slicer blades around a 25" radius.

This is a precision seeding machine and while we do make an attempt at advising on how to adjust the seed meter the best and most accurate way is discribed on page 5 under "OPERATION & START UP INSTRUCTIONS."

\* PLEASE REFER TO THE "CAUTIONS" SECTION ON PAGE 4 OF THIS MANUAL!

DO NOT RUN MACHINE WITHOUT GUARDS IN PLACE

THINK SAFETY

030189

MANUFACTURED BY:

SALSCO, INC  
TURF EQUIPMENT DIVISION  
105 SCHOOL HOUSE RD.  
CHESHIRE CT 06410 USA  
(203) 271-1682  
1/800-8SALSCO  
FAX (203) 271-2596

SLICER SEEDER MANUAL

THIS MANUAL COVERS MODEL: 355 SLICER SEEDER

This company reserves the right to discontinue, add improvements to, or change the design of any model or product at any time without obligation to improve existing machines, either by changing the design or adding new parts.

It has been and will continue to be the policy of SALSCO to update existing machines at its own discretion. New designs will be made in such a way, whenever possible, that they can be "Retro Fit" to units already in the field if so desired.

Record in the space provided below the model and serial numbers of this unit. Please retain these numbers for future reference.

No parts orders will be accepted without Model numbers and part numbers.

EXAMPLE ORDER: "I have one of your machines, model 355, s/n \_\_\_\_\_, I need the following parts. 6pc - 355A600."

<u>Model No.</u>	<u>Prefix No.</u>	<u>Part No. Code:</u>	
355	=	355	
		<u>Model</u>	<u>Part No.*</u>
		000	A000
		355	A600

\* PART NUMBER PREFIX MUST BE USED WHEN ORDERING PARTS (355A000).

\*\*\*\* CAUTION \*\*\*\*

READ AND UNDERSTAND THIS MANUAL BEFORE STARTING MACHINE!

DO NOT RUN MACHINE WITHOUT GUARDS IN PLACE

"CAUTION"

\*\*\*\*\*

THIS MACHINE CAN CAUSE SERIOUS INJURY. PLEASE READ AND UNDERSTAND ALL CAUTION NOTES. NEVER LEAVE MACHINE RUNNING WHILE UNATTENDED!!

\*\*\*\*\*

1. READ AND UNDERSTAND OWNER'S MANUAL.
2. DO NOT RUN WITHOUT GUARDS AND OTHER SAFETY COVERS ON MACHINE.
3. NEVER LEAVE MACHINE RUNNING WHILE UNATTENDED.
4. NEVER REACH UNDER OR INTO MACHINE FOR ANY REASON WHILE MACHINE IS RUNNING AS IT CAN CAUSE SERIOUS INJURY.
5. DO NOT LET ANYONE WALK NEXT TO OR IN FRONT OF MACHINE WHILE IT IS IN OPERATION.
6. NEVER RUN OVER ASPHALT OR CONCRETE OR ANY OTHER SURFACE WHICH CANNOT BE SLICED WITH THE SLICER BLADES IN LOWERED POSITION.
7. BE SURE SLICER CLUTCH IS DISENGAGED BEFORE STARTING UNIT.
8. BE SURE DRIVE CLUTCHES ARE IN SQUEEZE POSITION AND THUMB LOCK IS ENGAGED BEFORE STARTING UP.
9. UNDER NO CIRCUMSTANCES, EVER ALLOW ANY PART OF YOUR BODY OR ANYONE ELSE'S BODY TO COME IN CONTACT WITH THE FRONT OF, UNDERNEATH SIDE OR INSIDE OF ANY PART OF THIS MACHINE AS IT WILL REMOVE ANY PART OF THE BODY THAT IS PLACED THERE!
10. ALWAYS REMOVE SPARK PLUG WIRE, MAKE SURE ENGINE SWITCH IS OFF, THROTTLE IS IN STOP POSITION, AND SHUT GAS OFF WHEN WORKING ON OR CHECKING THE INSIDE OF THE MACHINE.
11. NEVER RUN MACHINE WITHOUT CONNECTING ELECTRIC KILL SWITCH TO BELT OR BELT LOOP. THIS WILL SHUT DOWN THE MACHINE'S ENGINE SHOULD THE OPERATOR BECOME SEPARATED FROM THE MACHINE.
12. DO NOT REMOVE CAUTION DECALS.
13. SAFETY DECALS SHOULD BE REPLACED IMMEDIATELY AFTER REPAINTING OR WHEN THEY BECOME ILLEGIBLE. \*\*SEE NOTE BELOW\*\*

**\*\* NOTE \*\***

SAFETY IS A PRIME CONCERN AT SALSCO AND THE SAFETY DECALS ON YOUR MACHINE ARE A HIGHLY VISIBLE AND CONSTANT REMINDER TO ALL OPERATORS. REPLACEMENT SAFETY DECALS MAY BE OBTAINED FROM YOUR LOCAL DEALER OR BY CALLING TOLL FREE 1-800-8SALSCO.

**DO NOT RUN MACHINE WITHOUT GUARDS IN PLACE**

OPERATION & START UP INSTRUCTIONS  
OF SLICER SEEDER

THIS MACHINE IS ADJUSTED AT THE FACTORY, HOWEVER, READ AND UNDERSTAND THIS SECTION BEFORE OPERATING.

- A) Be sure that Cutter Raising Lever is in full up position (towards operator).
- B) Be sure to lower front Foot Guard. Blades cannot be adjusted with this guard in "UP" position.
- C) Be sure that Clutch Handles are squeezed into lock position (this will disengage the drive clutches). With motor off try Drive Clutch Handles. Squeeze and push Thumb Lock up with thumb. Drive Clutch Handle should stay in squeezed position. This is neutral. Squeeze and pull Thumb Lock towards you letting go of handle gently. This is drive position. Try a few times to get familiar with this system.
- D) Place switch on motor to "ON" position. Place choke lever (just under air cleaner) to "CHOKE" position if needed and pull cord to start engine. Place throttle lever to low engine speed and return choke lever to normal position. **BE SURE MACHINE IS OVER AREA TO BE SEEDED.** (CHECK CAUTIONS SECTION OF THIS MANUAL: PAGE 4).
- E) Be sure to connect electric Kill Switch to your belt on belt loop, this will shut down the machine should you become separated from the unit.

It is a good idea to run machine around the yard a little with the cutter handle in raised position to get a feel for the drive clutches. Once this is done you are ready to move on to the next step.

- F) It would be best to run the machine on bare soil the first time and each time you wish to calibrate the seed meter. Adjust the cutter to the most shallow cutting depth (see Cutter Depth Adjustment Pages 8, Section 1a). Place the type of seed you wish to calibrate in hopper and choose the seed setting lowest on the scale (about 4-5 to start). Next, lower the cutters and run the machine in a straight line for about 10 feet, raise cutters and stop the machine. Check seed in slot and make any adjustments needed to the seed meter: lower number for less seed, higher number for more seed. When you reach the setting you are pleased with, mark the decal provided. Repeat this procedure with the different types of seed used. You now have a seeding machine that is calibrated to your needs. These procedures will help you and your operators become more familiar with the Slicer Seeder.

**DO NOT RUN MACHINE WITHOUT GUARDS IN PLACE**

- G) Place Cutter Raising Lever to desired cutting depth position (see Cutter Depth Adjustment Page 8, Section 1a. Place Seed Adjustment Lever to desired position. Release forward Clutch Lever and check to see if cutting depth and seed amount meet your requirements. Adjust as needed.

\*NOTE: ALWAYS LOWER CUTTER LEVER SLOWLY. IF DEPTH IS SET TOO DEEP, LOWERING OF THIS LEVER CAN CAUSE PREMATURE FAILURE OF BELTS OR EVEN CAUSE MACHINE TO LUNGE FORWARD. NEVER LOWER CUTTER HANDLE WITH DRIVE CLUTCHES IN LOCK OR NEUTRAL POSITION.

DO NOT RUN MACHINE WITHOUT GUARDS IN PLACE

030189

SERVICE SCHEDULE

BE SURE TO DISCONNECT SPARK PLUG  
WIRE BEFORE DOING MAINTENANCE ON THE MACHINE!!!

<u>ITEM</u>	<u>FREQUENCY</u>
GREASE FITTING (1)	WEEKLY
CHECK CHAINS AND SPROCKETS FOR ALLIGNMENT (DO NOT LUBRICATE)	DAILY
REMOVE GUARDS AND CHECK BELTS, CHAINS, NUTS, AND BOLTS (CAUTION: NEVER RUN MACHINE WITH GUARDS REMOVED)	WEEKLY
CHECK ENGINE MANUAL FOR ROUTINE MAINTENANCE	

THINK SAFETY

030189

## ADJUSTMENTS

### 1. CUTTER DEPTH ADJUSTMENT

- a. Blade depth can be adjusted from ground level to 2 1/4" deep by turning star knob, Item 7, page 12 to the right for less depth or left for more depth.

NOTE: YOU ARE NOT ADVISED TO PLANT SEED DEEPER THAN 1/4 - 1/2" BELOW THE THATCH LAYER. PLANTING DEEPER WILL LENGTHEN GERMINATION TIME.

### 2. SEED ADJUSTMENT

- a. Seed can be adjusted by moving Lever, Item 225, page 16 on Hopper to desired location on the scale of 1-10 --- 1 for less 10 for more. See Operation & Start up instructions on page 5, Item F.

### 3. CUTTER BELT ADJUSTMENT

To adjust the Cutter Belt Tension, you must perform the following steps.

NOTE: DO NOT PUT ANY PART OF YOUR BODY UNDER THIS MACHINE AS IT WILL REMOVE IT. DO NOT REACH UNDER IT WITH STICKS OR RODS, IT COULD THROW THEM OUT AT YOU. THIS PIECE OF EQUIPMENT WILL HURT YOU IF YOU DO NOT FOLLOW OUR CAUTIONS. ABOVE ALL, YOU MUST USE COMMON SENSE.

- a. Remove belt guard, Item 148, page 14. The motor should be off at this time. We will tell you when to start it.
- b. You will need a piece of plywood about 1/2" thick x 4' x 4'.
- c. Lay plywood down on floor in front of an object that will not move. Example: wall, door, etc.
- d. Push machine on top of plywood in such a way that Roll Bar is up against non-moveable object.
- e. Place Drive Clutch Handles, Item 123, page 14 into lock position and depress Lever Locks, Item 124, page 14. This will disengage Wheel Drive Belts.
- f. Lower the Cutter Height Handle slowly, Item 142, page 14 and be sure Cutters and Wheels, Item 62, page 14 are on plywood.
- g. Raise Cutter Handle, Item 142, page 14, start engine and set r.p.m. at about 1/3 r.p.m.

DO NOT RUN MACHINE WITHOUT GUARDS IN PLACE

- h. Lower Cutter Handle, Item 142, page 14 slowly so Cutters will engage plywood. Cutters should not stop turning. If they do and Belt begins to slip, raise Cutter Handle, Item 142, page 14 and shut down engine.
- i. Remove spark plug wires, turn ON/OFF switch to OFF. Lower Cutter Height Handle, Item 142, page 14.
- j. Reach in from Rubber Mud Guard, Item 149, page 14 to where Clutch Actuator, Item 46, page 12 makes contact with Cutter Housing Adjustment Bolt, page 13. Loosen Jam Nuts and Screw Adjusting Bolt up toward the top of the machine (approximately 1/8"). Tighten Jam Nut.
- k. Repeat steps g & h. If Belt still slips, repeat steps i & j.
- l. Do not forget to replace Belt Guard, Item 148, page 14 before returning seeder to work.

DO NOT RUN MACHINE WITHOUT GUARDS IN PLACE

030189

SERVICE & DISASSEMBLY PROCEDURE

\*NOTE: SALSCO USES SELF-LOCKING NUTS AND LOCTITE ON ALL BOLTS. IT IS VERY IMPORTANT TO FOLLOW THIS PROCEDURE.

1)

- a. Remove spark plug wire.
- b. Make sure engine switch is in off position.
- c. Make sure throttle is in stop position.
- d. Shut off gas.
- e. Drop Cutter Height Lever so cutters are at ground level.

2) TO REPLACE CUTTER BLADES:

- a. Remove both Locknuts, Item 143, page 14 from Cutter Raise Bar, Item 151, page 14.
- b. Remove Guard, Item 148, page 14.
- c. Remove Drive Belts, Item 18, page 12 (see page 11-section 5), Spring, Item 106, page 13 and Clutch Link Bolt, Item 49, page 12.
- d. Remove 6 Bolts, Item 28, page 12 that mount Cutter Housing Assembly to Main Housing. CAUTION: DO NOT LOOSEN, ITEM 31, PAGE 12.
- e. 1. Remove Cutter Housing Assembly from Main Housing. All of page 13 will slide out at this time.  
2. Remove Drive Chain, Item 96, page 13.
- f. Loosen Bearing Bolts, Item 77, page 13 on sprocket side of Housing & remove Bearing Bolts, Item 77, page 13 on other side.
- g. Slide free end of Cutter Shaft from Housing with sprocket end remaining in Housing.
- h. Remove Screw, Item 70, page 13 from Shaft, Item 87, page 13. Bearing, Item 74, page 13, Spacers, Items 75 & 88, page 13, and Cutter Blades, Item 76, page 13 can be slid off Shaft & replaced.
- i. Clean all parts and check for wear at this time.
- j. As you begin to reassemble, check direction of cutting before putting blades back in.

NOTE: TO REASSEMBLE, REVERSE PROCEDURE: TO REASSEMBLE, AFTER ALL BLADES AND SPACERS ARE ON, TIGHTEN SCREW, ITEM 70, PAGE 13 ON END OF CUTTER SHAFT. BE SURE TO USE LOCTITE ON THIS BOLT. DO NOT FORGET TO REPLACE GUARD.

DO NOT RUN MACHINE WITHOUT GUARDS IN PLACE

3) TO REPLACE SEED DISCS SHAFT ASSEMBLY

- a. Remove Guard, Item 163, page 15.
- b. Remove Master Link from Chain, Item 164, page 15.
- c. Remove Bearing Bolts, Item 188, page 15.
- d. Remove Shaft Assembly, Item 165, page 15.

NOTE: TO REASSEMBLE, REVERSE PROCEDURE. REPLACE GUARD.

4) TO REPLACE CUTTER DRIVING BELTS

- a. Be sure that Cutter Height Handle, Item 142, page 14 is in "UP" position.
- b. Remove Guard, Item 148, page 14.
- c. Belts, Item 18, page 14 can be slid off Pulleys & replaced.
- d. Belt can be adjusted. (See section CUTTER BELT ADJUSTMENT, this manual, page 8 & 9). BE SURE YOU PUT THE GUARD BACK.

"CAUTION": CUTTER BLADES SHOULD NOT TURN WHEN HEIGHT HANDLE IS IN "UP" POSITION.

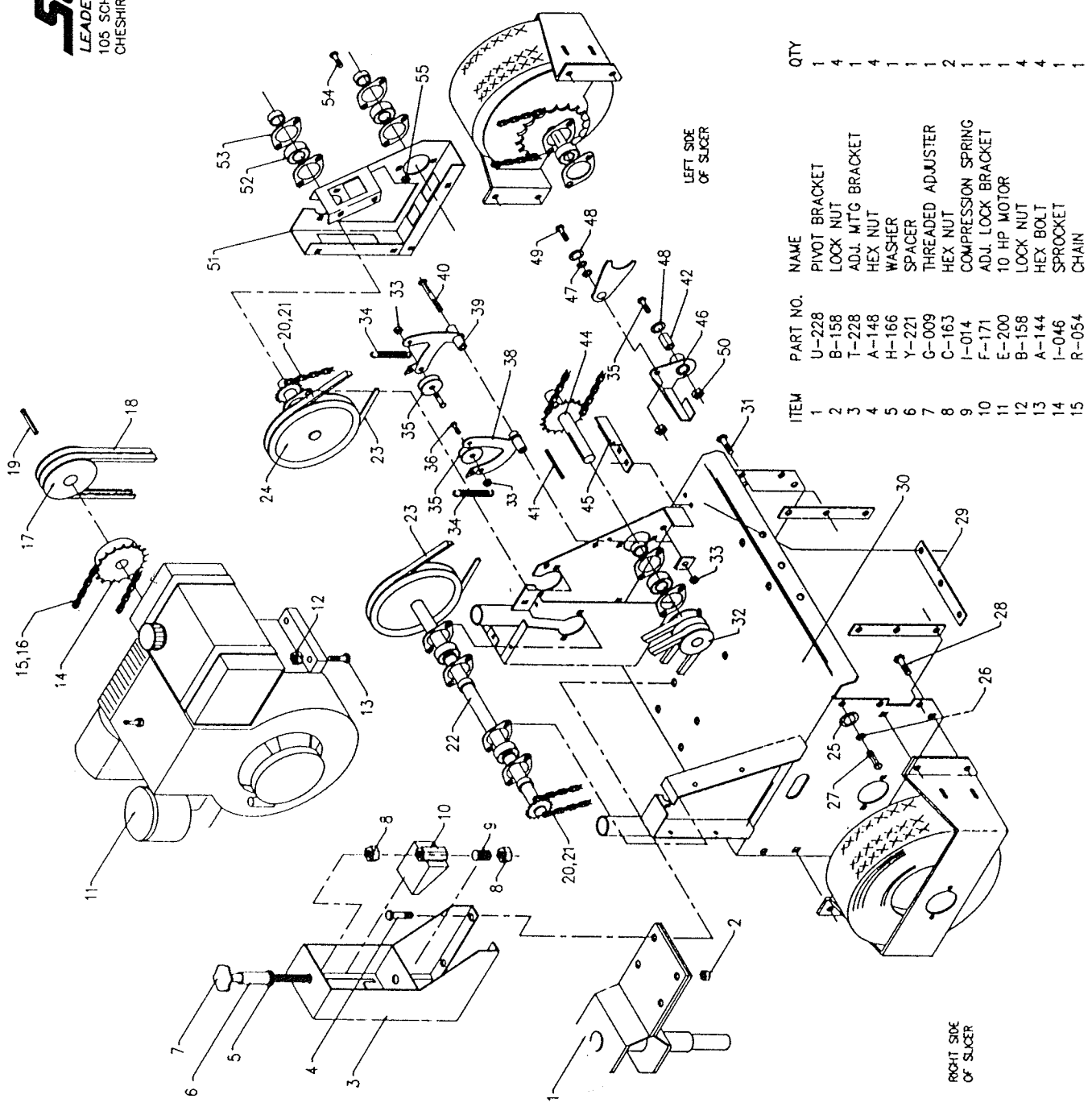
5) TO REPAIR OR REPLACE SEED METERING PLATES

- a. Remove Chain Guard, Item 163, page 15 and Chain, Item 164, page 15.
- b. Turn Lock Plates, Item 166 & 167, page 15.
- c. Remove Hopper upwards from Lower Housing. (GOOD TIME TO CLEAN)
- d. Remove Shutoff Plate, Item 219, page 16 from hopper, remove 14 Bolts, Item 214, page 16 and remove Seed Meter Plates, Items 215, 221, 222, & 223, page 16 from Hopper.
- e. Inspect Metering Plates and Wear Plate to be sure they are clear of all debris and seed. BE SURE TO PUT THE GUARD BACK ON.

TO ASSEMBLE, REVERSE PROCEDURE. BE SURE TO USE A SILICONE TO SEAL SEAMS AND OPEN AREA INSIDE HOPPER.

DO NOT RUN MACHINE WITHOUT GUARDS IN PLACE

**Saisco, Inc.**  
 LEADER BY DESIGN  
 105 SCHOOL HOUSE ROAD  
 CHESHIRE, CONNECTICUT 06410



ITEM	PART NO.	NAME	QTY
16	A-058	MASTER LINK	1
17	G-065	DB'L PULLEY	1
18	H-070	V BELT SET	1SET
19	I-230	SQ KEY	1
20	E-054	CHAIN	1
21	A-158	MASTER LINK	1
22	P-232	RIGHT SHAFT ASSY	1
23	N-070	V BELT	2
24	Q-232	LEFT SHAFT ASSY	1
25	A-147	FLAT WASHER	6
26	A-146	LOCK WASHER	6
27	A-141	HEX SCREW	6
28	A-136	CARRIAGE BOLT	8
29	M-164	NUT BAR	3
30	S-500	MAIN HOUSING	1
31	A-140	HEX SCREW	3
32	H-065	DB'L PULLEY	1
33	B-158	LOCK NUT	3
34	N-013	SPRING	2
35	I-064	IDLER PULLEY	2
36	A-144	HEX SCREW	2
35	B-142	HEX SCREW	2
38	T-208	RIGHT CLUTCH LEVER	1
39	S-208	LEFT CLUTCH LEVER	1
40	E-145	HEX SCREW	1
41	H-229	SQ KEY	1
42	G-221	SPACER	1
44	R-232	SHAFT ASSY	1
45	R-228	BELT STOP BRACKET	1
46	Z-099	CLUTCH ACTUATOR	1
47	A-146	LOCK WASHER	2
48	A-147	FLAT WASHER	2
49	A-141	HEX SCREW	2
50	B-158	LOCK NUT	2
51	V-099	GEAR BOX	2
52	A-109	BEARING	3
53	A-110	FLANGETTE	6
54	B-136	CARRIAGE BOLT	12
55	A-159	LOCK NUT	12

ITEM	PART NO.	NAME	QTY
1	U-228	PIVOT BRACKET	1
2	B-158	LOCK NUT	4
3	T-228	ADJ. MTG BRACKET	1
4	A-148	HEX NUT	4
5	H-166	WASHER	4
6	Y-221	SPACER	1
7	G-009	THREADED ADJUSTER	1
8	C-163	HEX NUT	1
9	I-014	COMPRESSION SPRING	2
10	F-171	ADJ. LOCK BRACKET	1
11	E-200	10 HP MOTOR	1
12	B-158	LOCK NUT	1
13	A-144	HEX BOLT	4
14	I-046	SPROCKET	4
15	R-054	CHAIN	1

RIGHT SIDE  
OF SLICER

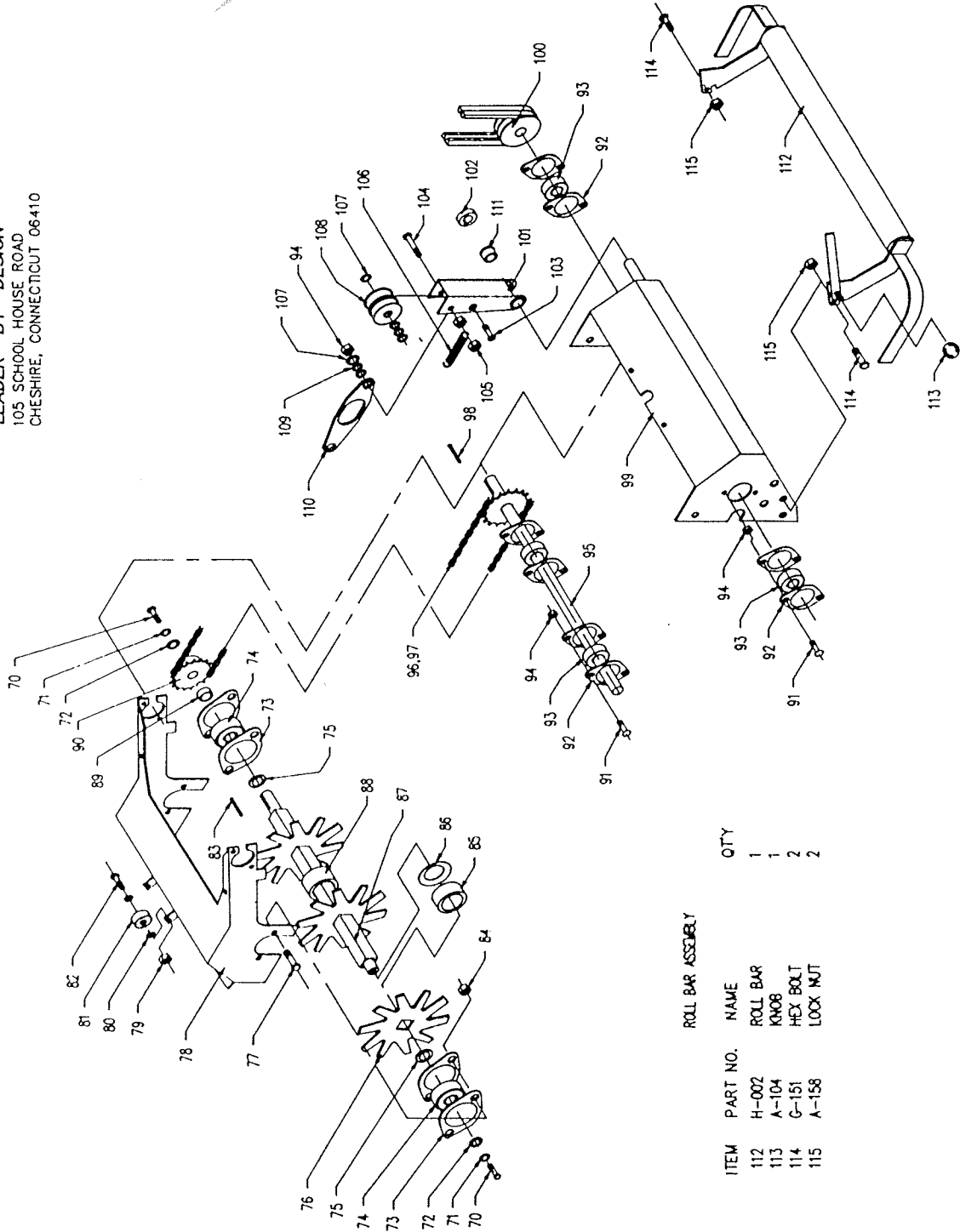
**Saisco, Inc.**  
 LEADER BY DESIGN  
 105 SCHOOL HOUSE ROAD  
 CHESHIRE, CONNECTICUT 06410

REMOVABLE HOUSING ASSEMBLY

ITEM	PART NO.	NAME	QTY
91	B-136	CARRIAGE BOLT	8
92	B-110	FLANGETTE	8
93	B-109	BEARING	4
94	A-159	LOCK NUT	9
95	N-232	DRIVE SHAFT	1
96	C-054	DRIVE CHAIN	1
97	B-058	MASTER UNL	1
98	F-230	SQ KEY	1
99	T-500	REMOVABLE HOUSING	1
100	F-065	DOUBLE PULLEY	1
101	N-100	CLUTCH LEVER	1
102	A-081	SET COLLAR	1
103	A-136	CARRIAGE BOLT	1
104	B-145	HEX BOLT	1
105	B-158	LOCK NUT	2
106	N-013	EXTENSION SPRING	1
107	A-147	FLAT WASHER	5
108	F-064	IDLER PULLEY	2
109	A-146	LOCK WASHER	2
110	G-231	CLUTCH LINK	1
111	A-122	BUSHING	2

CUTTER HOUSING ASSEMBLY

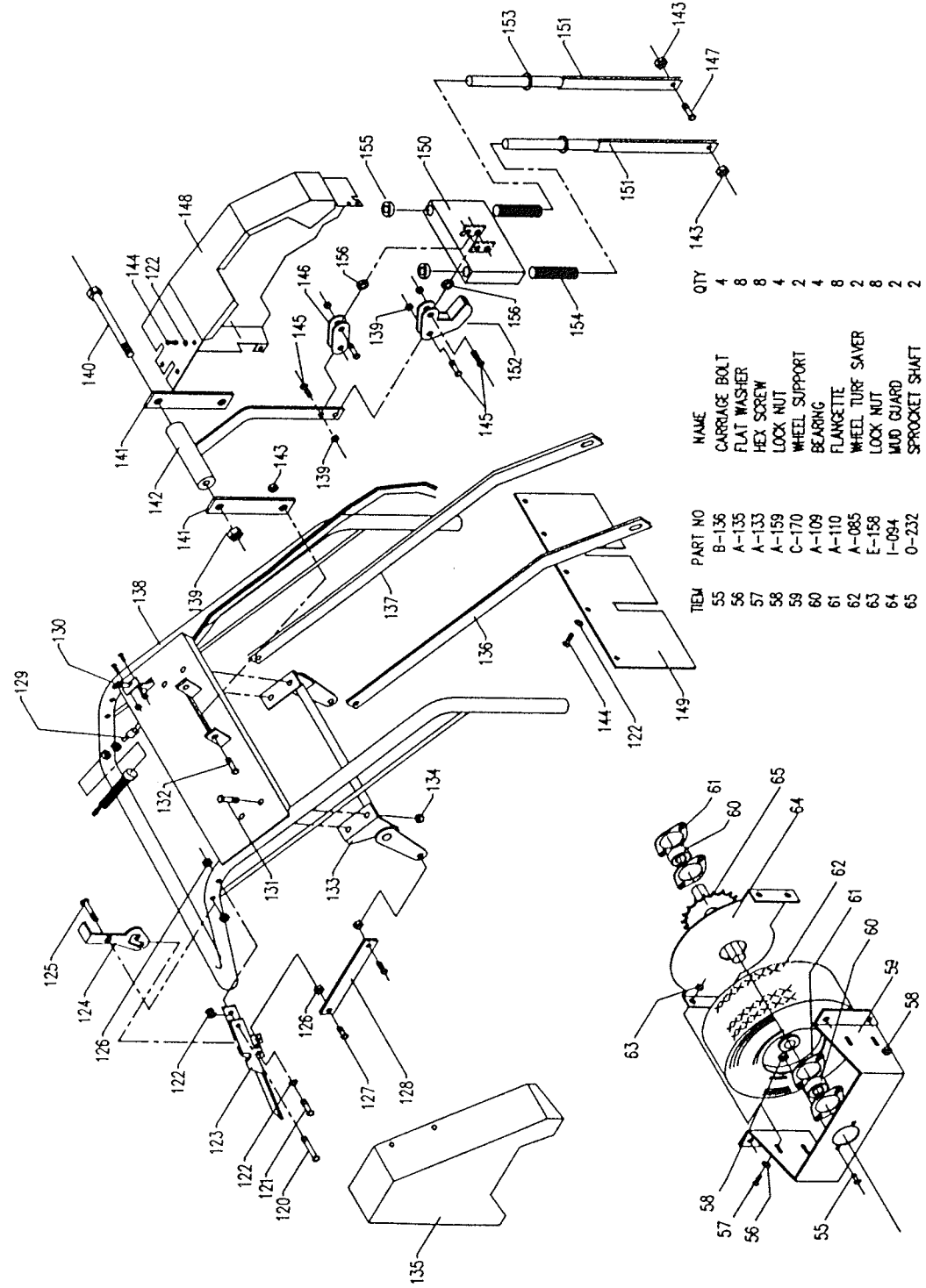
ITEM	PART NO.	NAME	QTY
70	D-131	BUTTON HEAD SCREW	2
71	A-146	LOCK WASHER	2
72	A-147	FLAT WASHER	2
73	A-110	FLANGETTE	4
74	A-109	BEARING	2
75	A-089	FLAT WASHER	2
76	A-205	CUTTER BLADE	10
77	B-136	CARRIAGE BOLT	4
78	U-500	CUTTER HOUSING	1
79	H-158	LOCK NUT	1
80	A-147	WASHER	2
81	A-113	BEARING	1
82	B-144	HEX BOLT	1
83	F-229	SQ KEY	1
84	A-159	LOCK NUT	4
85	W-221	SPACER	1
86	H-146	BEVEL WASHER	1
87	F-232	CUTTER SHAFT	1
88	F-089	SPACER	8
89	X-221	SPACER	1
90	D-046	SPROCKET	1



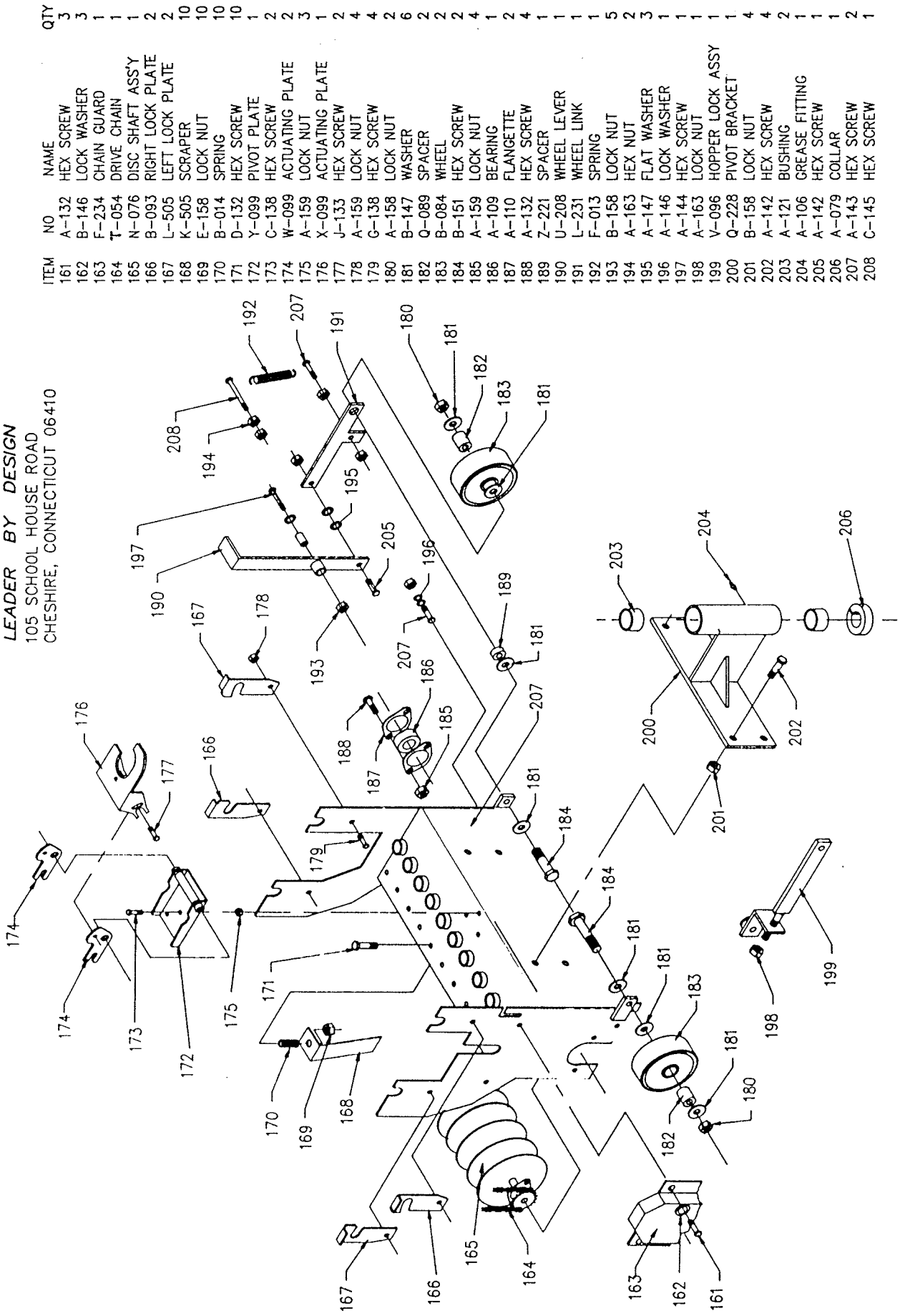
ROLL BAR ASSEMBLY

ITEM	PART NO.	NAME	QTY
112	H-002	ROLL BAR	1
113	A-104	KNOB	1
114	G-151	HEX BOLT	2
115	A-158	LOCK NUT	2

ITEM	PART NO	NAME	QTY
120	D-132	HEX SCREW	2
121	C-138	HEX SCREW	2
122	A-135	FLAT WASHER	20
123	X-004	LEFT CLUTCH HANDLE	1
124	Y-004	RIGHT CLUTCH HANDLE	1
125	G-208	LEFT LOCK LEVER	1
126	H-208	RIGHT LOCK LEVER	1
127	E-132	HEX SCREW	2
128	E-158	LOCK NUT	8
129	A-133	HEX SCREW	4
130	J-231	CLUTCH LINK UPPER	1
131	R-193	KILL SWITCH	1
132	A-105	THROTTLE CABLE	1
133	A-136	CARRIAGE BOLT	4
134	A-141	HEX SCREW	2
135	J-101	CLUTCH CROSS OVER	1
136	A-159	LOCK NUT	4
137	I-168	RIGHT GUARD	1
138	H-231	CLUTCH LINK RIGHT	1
139	I-231	CLUTCH LINK LEFT	1
140	H-227	HANDLE BARS	1
141	A-158	LOCK NUT	4
142	D-150	HEX SCREW	2
143	N-181	HANDLE LINK	1
144	I-227	UFT HANDLE	1
145	B-158	LOCK NUT	4
146	A-132	HEX SCREW	14
147	A-150	HEX SCREW	4
148	M-231	LINK	2
149	A-142	HEX SCREW	1
150	D-169	LEFT GUARD	1
151	H-094	RUBBER GUARD	1
152	S-228	HANDLE BRACKET	1
153	E-102	CUTTER RAISE BAR	2
154	E-171	LOCK BRACKET	1
155	A-089	WASHER	2
156	J-014	SPRING	4
157	A-081	COLLAR	2
158	A-237	SPACER	2

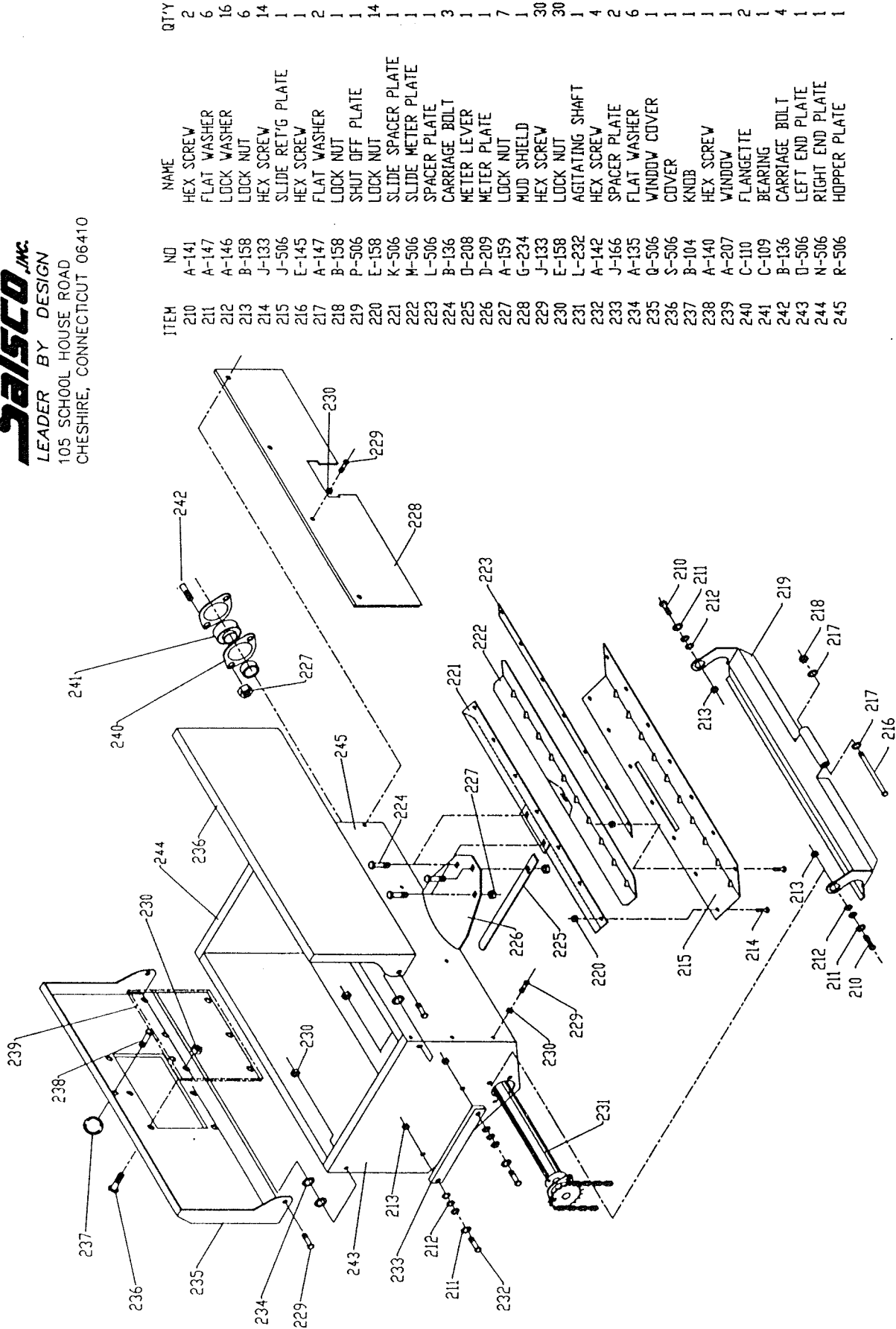


**Saisco, Inc.**  
 LEADER BY DESIGN  
 105 SCHOOL HOUSE ROAD  
 CHESHIRE, CONNECTICUT 06410



ITEM	NO	NAME	QTY
161	A-132	HEX SCREW	3
162	B-146	LOCK WASHER	3
163	F-234	CHAIN GUARD	1
164	T-054	DRIVE CHAIN	1
165	N-076	DISC SHAFT ASS'Y	1
166	B-093	RIGHT LOCK PLATE	2
167	L-505	LEFT LOCK PLATE	2
168	K-505	SCRAPER	10
169	E-158	LOCK NUT	10
170	B-014	SPRING	10
171	D-132	HEX SCREW	10
172	Y-099	PIVOT PLATE	1
173	C-138	HEX SCREW	2
174	W-099	ACTUATING PLATE	2
175	X-099	ACTUATING PLATE	3
176	X-099	ACTUATING PLATE	1
177	J-133	HEX SCREW	2
178	A-159	LOCK NUT	4
179	G-138	HEX SCREW	4
180	A-158	LOCK NUT	2
181	B-147	WASHER	6
182	Q-089	SPACER	2
183	B-084	WHEEL	2
184	B-151	HEX SCREW	2
185	A-159	LOCK NUT	4
186	A-109	BEARING	1
187	A-110	FLANGETTE	2
188	A-132	HEX SCREW	4
189	Z-221	SPACER	1
190	U-208	WHEEL LEVER	1
191	L-231	WHEEL LINK	1
192	F-013	SPRING	1
193	B-158	LOCK NUT	5
194	A-163	HEX NUT	2
195	A-147	FLAT WASHER	3
196	A-146	LOCK WASHER	1
197	A-144	HEX SCREW	1
198	A-163	LOCK NUT	1
199	V-096	HOPPER LOCK ASSY	1
200	Q-228	PIVOT BRACKET	1
201	B-158	LOCK NUT	4
202	A-142	HEX SCREW	4
203	A-121	BUSHING	2
204	A-106	GREASE FITTING	1
205	A-142	HEX SCREW	1
206	A-079	COLLAR	1
207	A-143	HEX SCREW	2
208	C-145	HEX SCREW	1

**Salsco, Inc.**  
 LEADER BY DESIGN  
 105 SCHOOL HOUSE ROAD  
 CHESHIRE, CONNECTICUT 06410



ITEM	NO	NAME	QTY
210	A-141	HEX SCREW	2
211	A-147	FLAT WASHER	6
212	A-146	LOCK WASHER	16
213	B-158	LOCK NUT	6
214	J-133	HEX SCREW	14
215	J-506	SLIDE RET'G PLATE	1
216	E-145	HEX SCREW	1
217	A-147	FLAT WASHER	2
218	B-158	LOCK NUT	1
219	P-506	SHUT OFF PLATE	1
220	E-158	LOCK NUT	14
221	K-506	SLIDE SPACER PLATE	1
222	M-506	SLIDE METER PLATE	1
223	L-506	SPACER PLATE	1
224	B-136	CARRIAGE BOLT	3
225	D-208	METER LEVER	1
226	D-209	METER PLATE	1
227	A-159	LOCK NUT	7
228	G-234	MUD SHIELD	1
229	J-133	HEX SCREW	30
230	E-158	LOCK NUT	30
231	L-232	AGITATING SHAFT	1
232	A-142	HEX SCREW	4
233	J-166	SPACER PLATE	2
234	A-135	FLAT WASHER	6
235	Q-506	WINDOW COVER	1
236	S-506	COVER	1
237	B-104	KNOB	1
238	A-140	HEX SCREW	1
239	A-207	WINDOW	1
240	C-110	FLANGETTE	2
241	C-109	BEARING	1
242	B-136	CARRIAGE BOLT	4
243	D-506	LEFT END PLATE	1
244	N-506	RIGHT END PLATE	1
245	R-506	HOPPER PLATE	1

WARRANTY POLICY

Your Salsco Commercial or Turf Equipment product is a commercial type product and is normally manufactured and sold for commercial or industrial use. Salsco will, for the original purchaser, for one (1) year from the date of purchase (90 days if used for rental purposes) repair or replace, free of charge, any part or parts found to be defective in material or workmanship or both. Any transportation charges to be borne by the purchaser.

If, during the Warranty Period, the product does not function properly due to defect, simply contact your Salsco Dealer and provide the unit or part for inspection or contact directly:

SALSCO, INC.  
Service Department  
105 School House Road  
Cheshire, CT 06410

203/271-1682  
FAX: 203/271-2596

This warranty does not include incidental or consequential damages and is exclusive of any implied warranties.

This warranty does not include normal maintenance parts, including, but not limited to spark plugs, filters, lubricants, springs, tines, blades and hoses.

This warranty does not include parts or components which are covered under the original manufacturers warranty, including, but not limited to engine and differential.



***Salsco, INC.***

LEADER BY DESIGN

105 SCHOOL HOUSE ROAD  
CHESHIRE, CONNECTICUT 06410