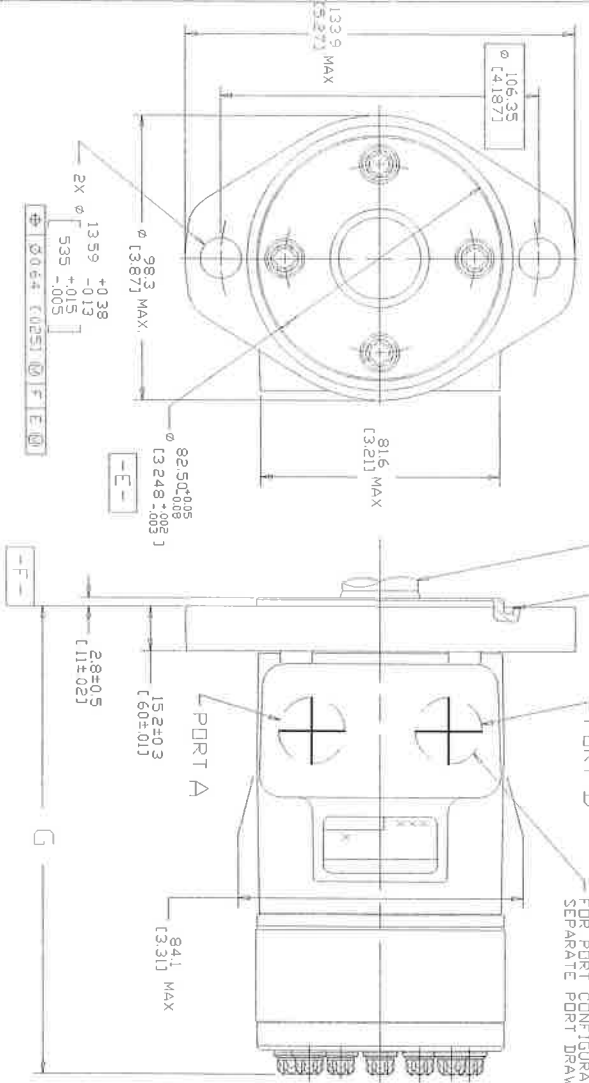


DISPLACEMENT CODE	MAX
022	132.7 (5.221)
025	133.5 (5.261)
028	132.7 (5.221)
035	136.5 (5.371)
045	136.5 (5.371)
059	139.5 (5.491)
073	142.8 (5.621)
099	146.4 (5.761)
097	148.2 (5.841)
113	151.7 (5.971)
141	158.1 (6.221)
179	166.7 (6.561)
226	177.1 (6.971)
451	228.0 (9.381)



FOR SHAFT CONFIGURATION SEE SEPARATE SHAFT DRAWINGS

GOODS PROVIDED FOR 825(325) 1D X 2.52 (0.103) CROSS SECTION O-RING (DASH NO. 152)

FOR PORT CONFIGURATION SEE SEPARATE PORT DRAWING

SWI	REVISION	BY	DATE	ECN
A	ENGINEERING RELEASE	ELL	11/23/06	17736
B	1-103(3.257/82.6) MAX WAS 3.21/81.6 MAX 2-WERE REMOVED 3.31/84.1 Ø MAX 3-WERE ADDED 3.36/85.4 MAX	DPB	11/18/04	18324
C	1-193(3.21/81.6) WAS 3.25/82.6 -2(2BY 3.31/84.1 WAS 3.36/85.4	UK	11/15/04	19520
D	1-193(3.21/84.1) MAX TAB 2-REVISED PICTORIALY	AJJ	11/26/04	22674
E	4-DIMENSIONED MOUNTING TAB	SEC	11/11/03	18403
F	4-E) 5.35 ± 0.05 / 13.59 ± 0.38 / -0.13 Ø WAS 5.35 ± 0.05 / 13.59 ± 0.13	ASJ	11/13/03	19953
G	1-DIMENSIONAL 3.17 ± 0.4 MAX 2-DIMENSIONAL 3.17 ± 0.4 MAX	CEJ	11/11/03	18585
H	REVISED	PAJ	11/11/03	18631
J	1-193(3.21/81.6) MAX TAB 2-REVISED PICTORIALY	CAJ	11/11/03	19302
K	1-DIMENSIONAL 4.76 ± 0.13 MAX TO END CAP	AAJ	11/11/03	19164
L	(4A) NOTE 3 WAS CASE DRAIN : 0.	LVJ	11/27/06	25202

NOTE:

1. ROTATION STANDARD: WHEN FACING SHAFT END OF MOTOR, SHAFT TO ROTATE CLOCKWISE WHEN PORT 'A' IS PRESSURIZED COUNTERCLOCKWISE WHEN PORT 'B' IS PRESSURIZED. REVERSE: WHEN FACING SHAFT END OF MOTOR, SHAFT TO ROTATE CLOCKWISE WHEN PORT 'B' IS PRESSURIZED COUNTERCLOCKWISE WHEN PORT 'A' IS PRESSURIZED
2. MOUNTING FLANGE: AA = 2 BOLT Ø13.59(0.531) MOUNTING HOLES ON Ø106.35(4.1871) BOLT CIRCLE
3. CASE DRAIN: 00 = NO CASE DRAIN

REVIEWED FOR CLASSIFICATION PER ESP -042

DRAWING BASED ON ANSI Y14.5M-1992

EATON

HYDRAULIC MOTOR DIVISION

1000 EAST 17TH AVENUE, SUITE 1000, DENVER, CO 80202

TEL: 303.752.2000 FAX: 303.752.2001

WWW.EATON.COM

DATE: 11-19-07

SCALE: 1:1

TITLE: H MOTOR INSTALLATION

REV: 1

BY: [Signature]

CHKD: [Signature]

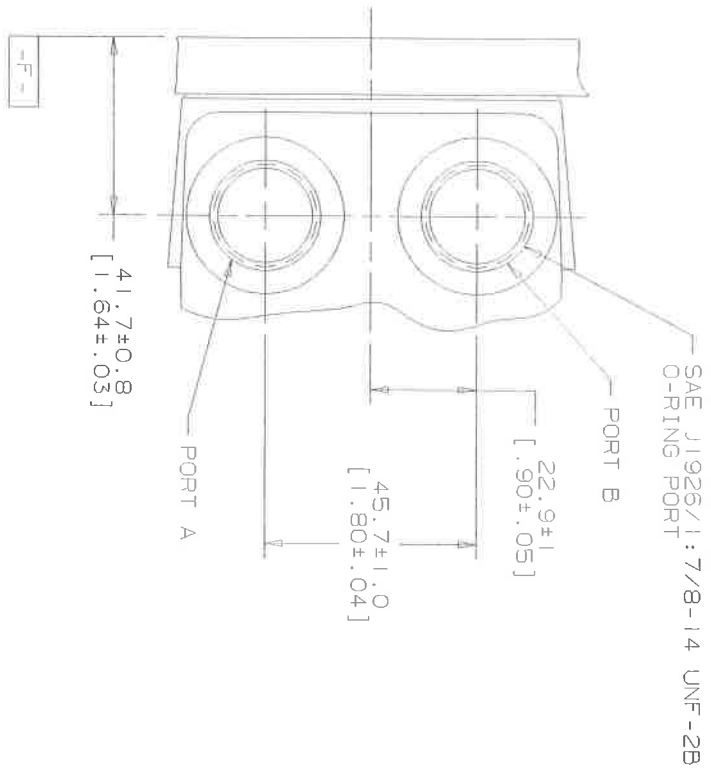
APP'D: [Signature]

DATE: 11-19-07

SCALE: 1:1

SHEET: 1 OF 1

REV	DESCRIPTION	BY	CHK	DATE	E/CN	MP#
A	RELEASE FOR SAMPLES AND ESTIMATES	RL		11-10-87		14736
B	PORT TYPE OPTION WAS "A"	SSD		05-27-87		0004356
C	REVISED	KNR	SVG	05-11-89		M76172



UNLESS OTHERWISE SPECIFIED ALL DIMENSIONS ARE IN INCHES

TOLERANCES

X ± 0.1
 XX ± 0.01
 XXX ± 0.001

UNSPECIFIED RADII ARE: $\leq \pm 0.5^{\circ}$

UNSPECIFIED DRAFT ANGLES ARE: $\leq 1^{\circ}$

B SIZE

DO NOT SCALE

THIRD ANGLE PROJECTION

APPROVED: [Signature]

DATE: 11-10-87

SCALE: 1/1

SHEET: 1 OF 1

PORT INSTALLATION

EATON

General Business Corporation
 14675 Lane Oak Road
 Eden Prairie, MN 55344
 USA

DRAWING BASED ON ANSI Y14.5M-1982

EATON CORPORATION - CONFIDENTIAL AND PROPRIETARY
 NOTICE TO PERSONS RECEIVING THIS DRAWING
 AND / OR TECHNICAL INFORMATION
 THIS DOCUMENT CONTAINS THE PROPRIETARY AND CONFIDENTIAL INFORMATION OF EATON CORPORATION. IT IS THE PROPERTY OF EATON CORPORATION AND IS LOANED TO YOU FOR YOUR INFORMATION ONLY. IT IS NOT TO BE REPRODUCED, COPIED, OR DISTRIBUTED TO ANY OTHER PERSON OR ORGANIZATION WITHOUT THE WRITTEN PERMISSION OF EATON CORPORATION. ALL RIGHTS ARE RESERVED.



REVIEWED FOR CLASSIFICATION PER ESP-042

NOTE
 PORT OPTION: AA

